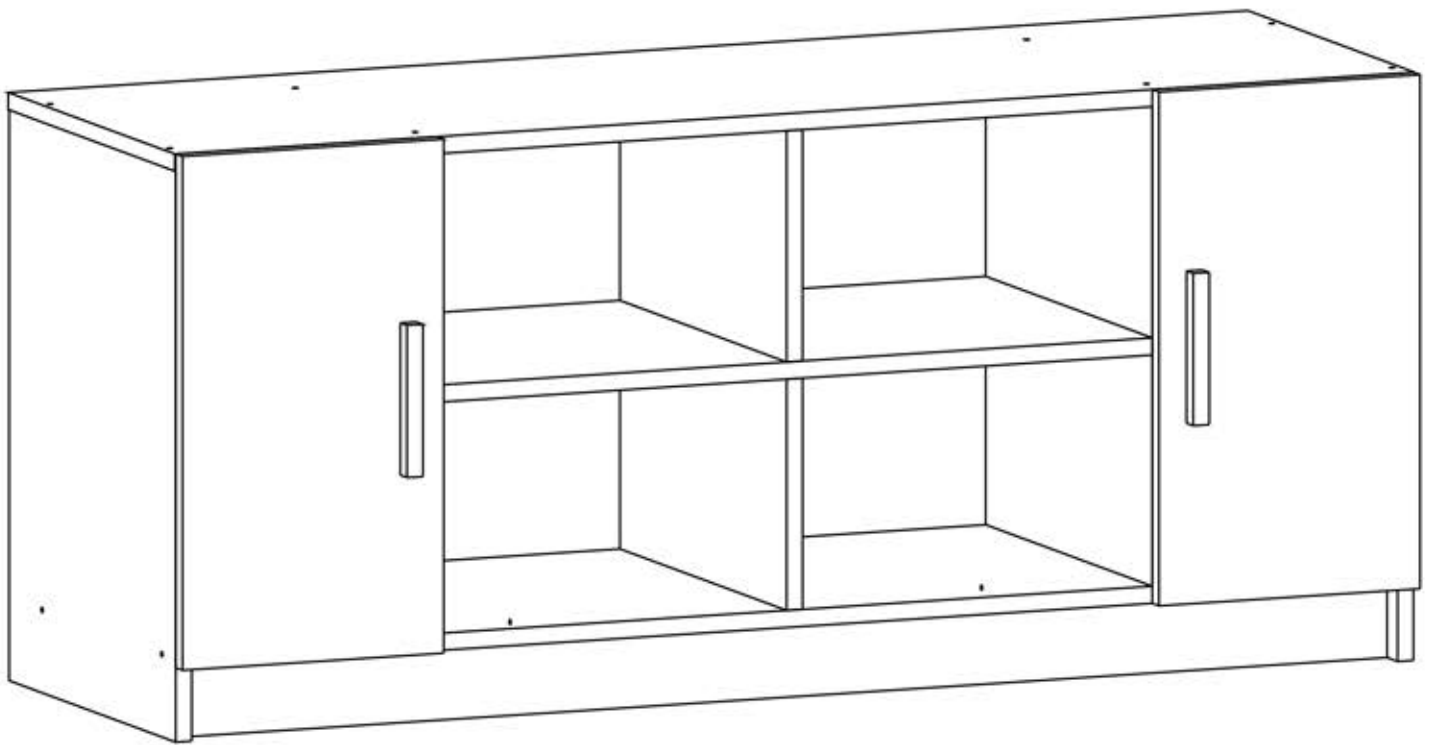











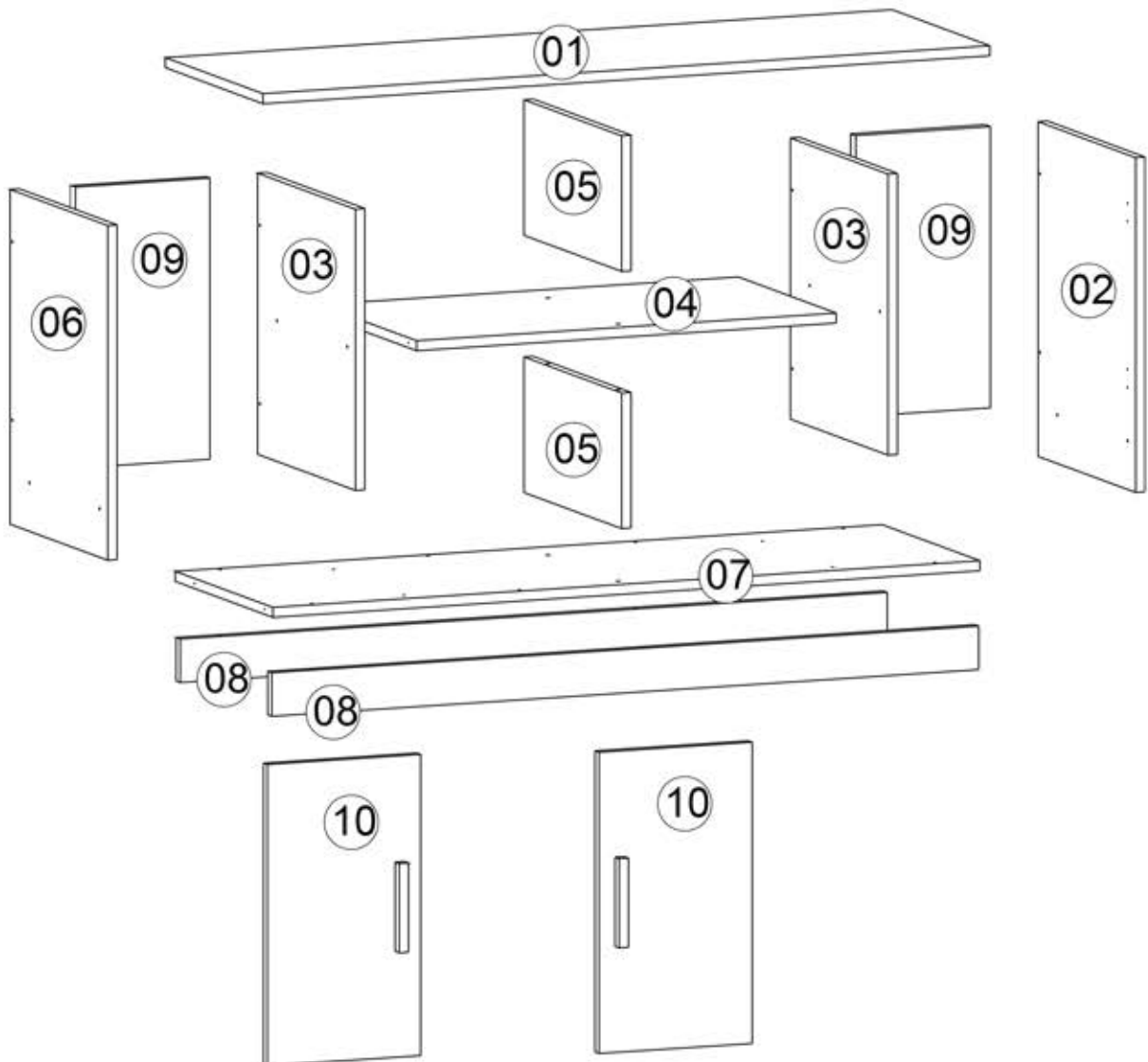
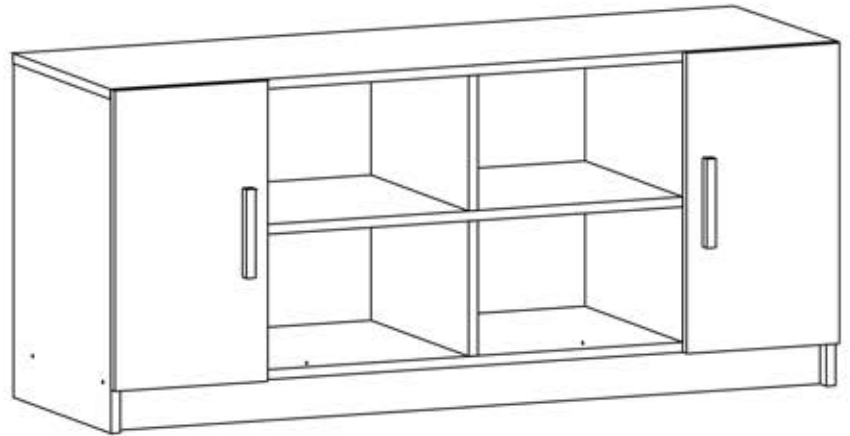
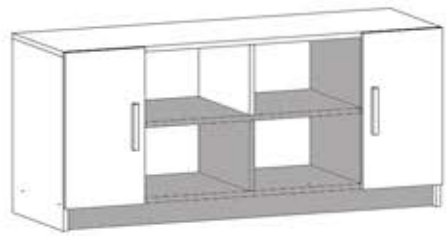


# VO6

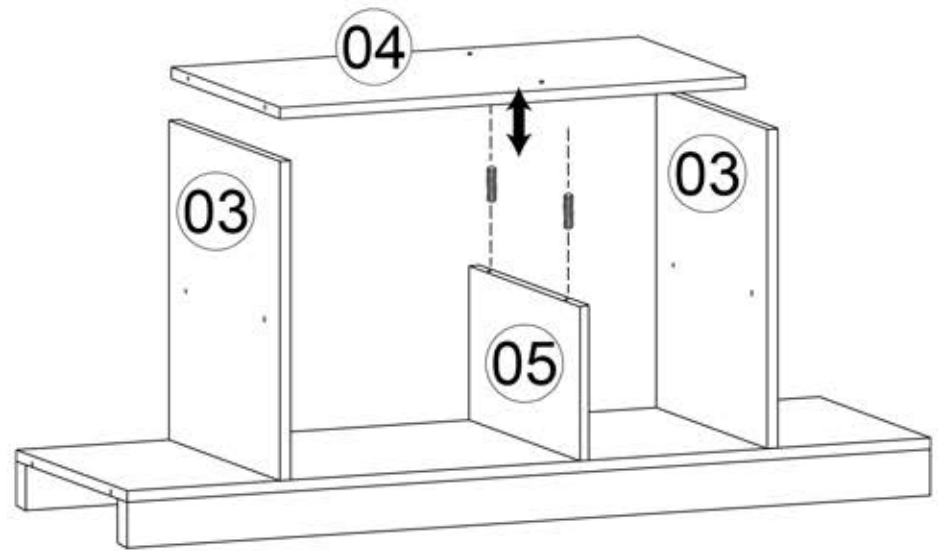
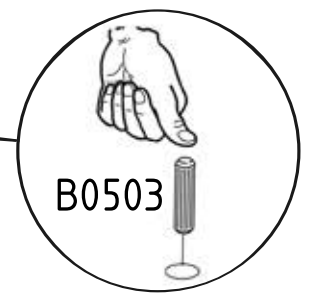
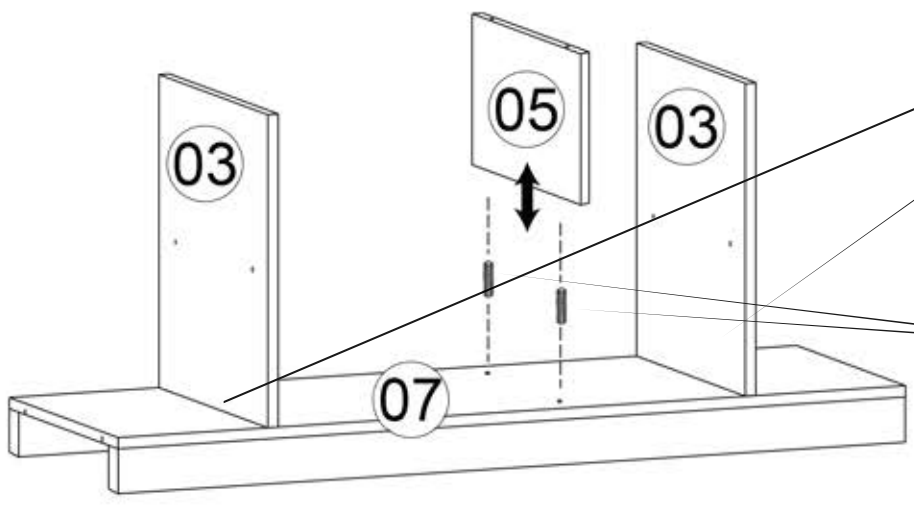
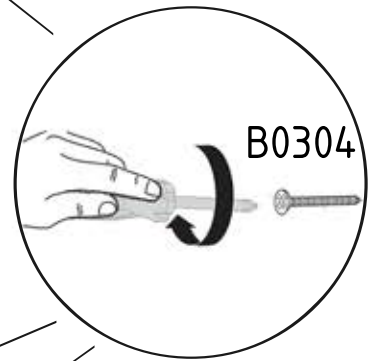
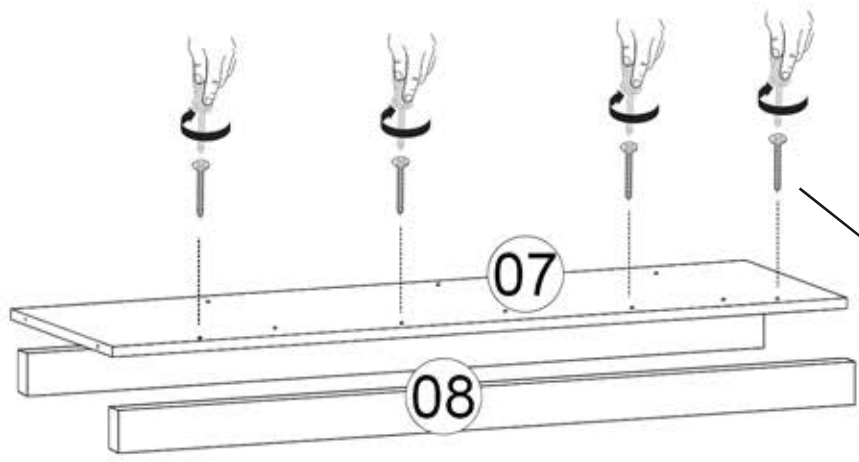
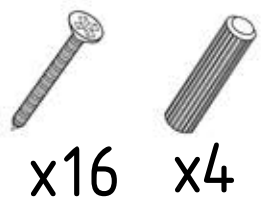


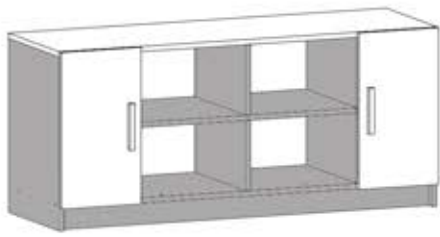
 B0501 x8	 B0502 x8	 B0503 x16	 B0504 x8	 B0301 x16
 B0304 x28	 B0307 x4	 B0205 x2	 B0105 x4	 B0101 x4
 COLOR1 x8 COLOR2 x				





B0304 B0503





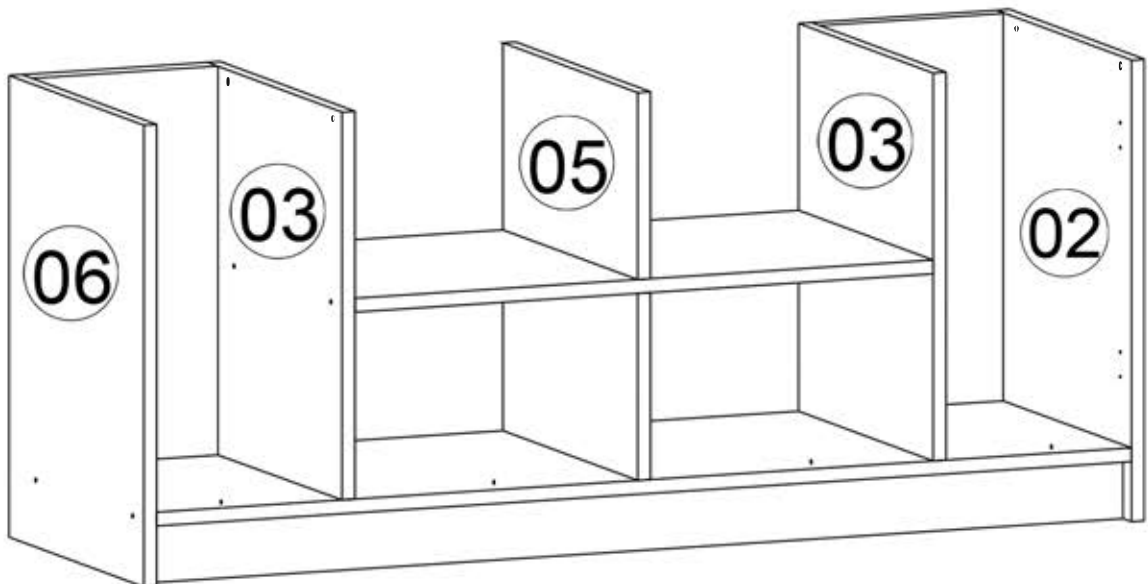
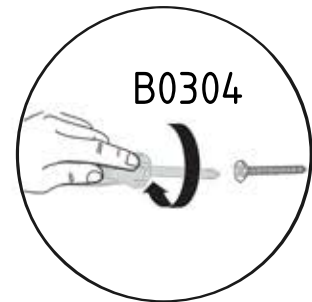
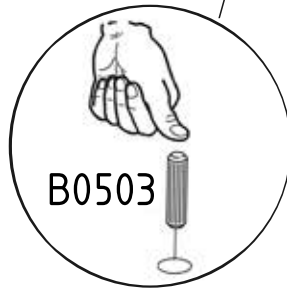
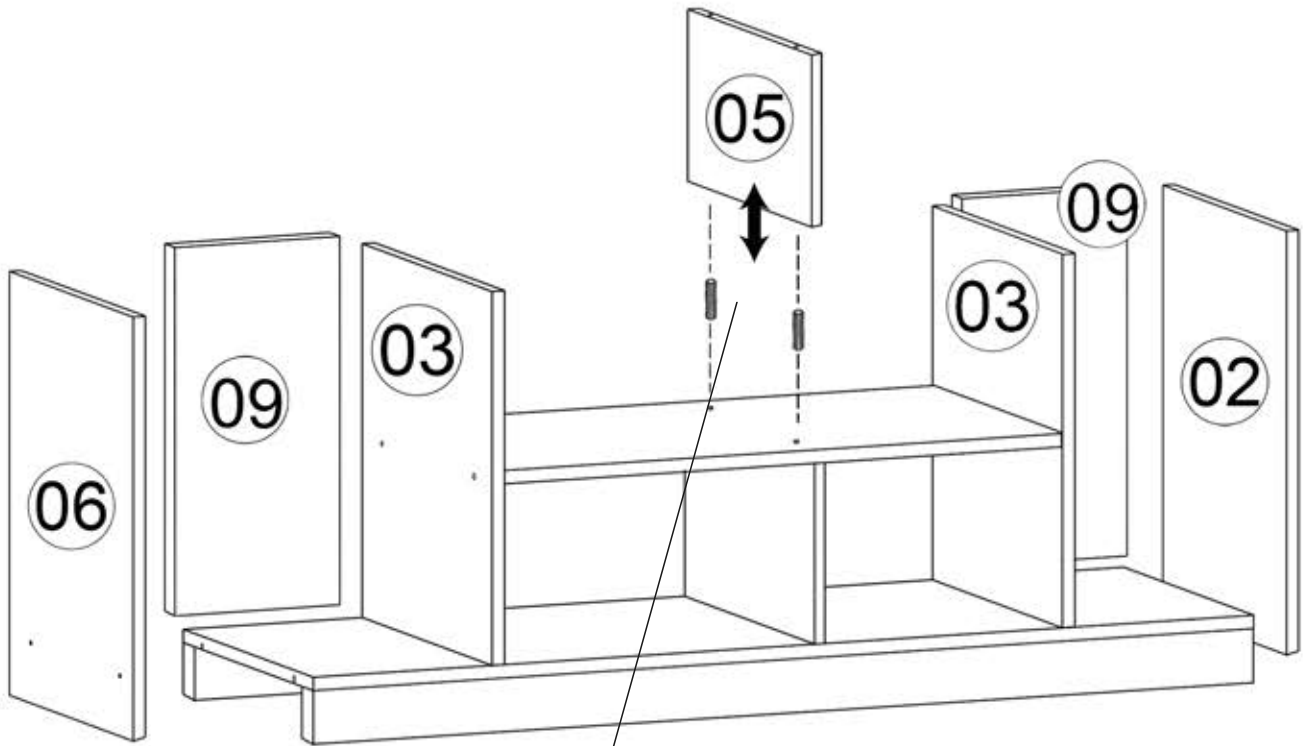
B0304

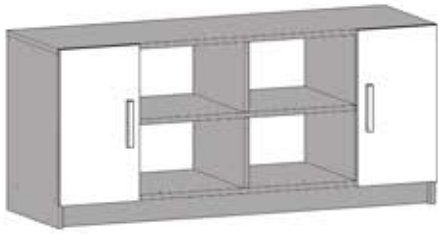
B0503



x12

x2





B0501 B0502 B0503 B0504

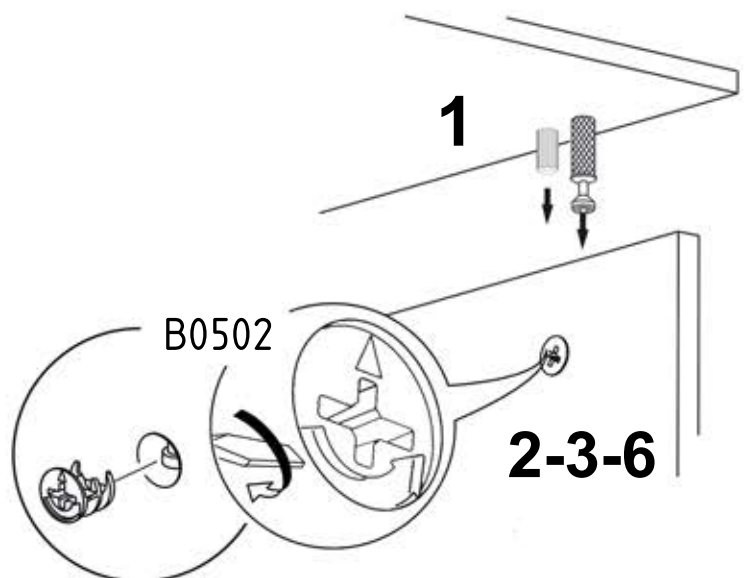
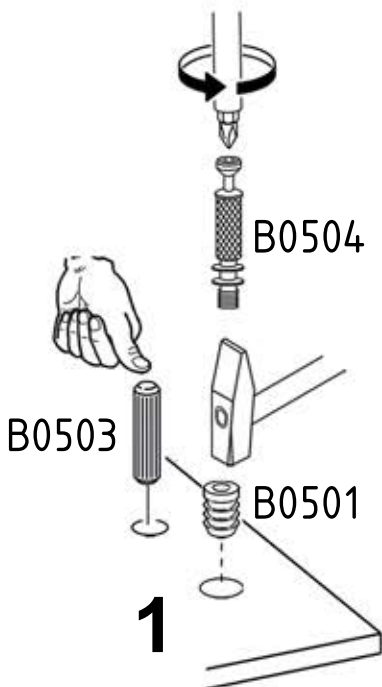
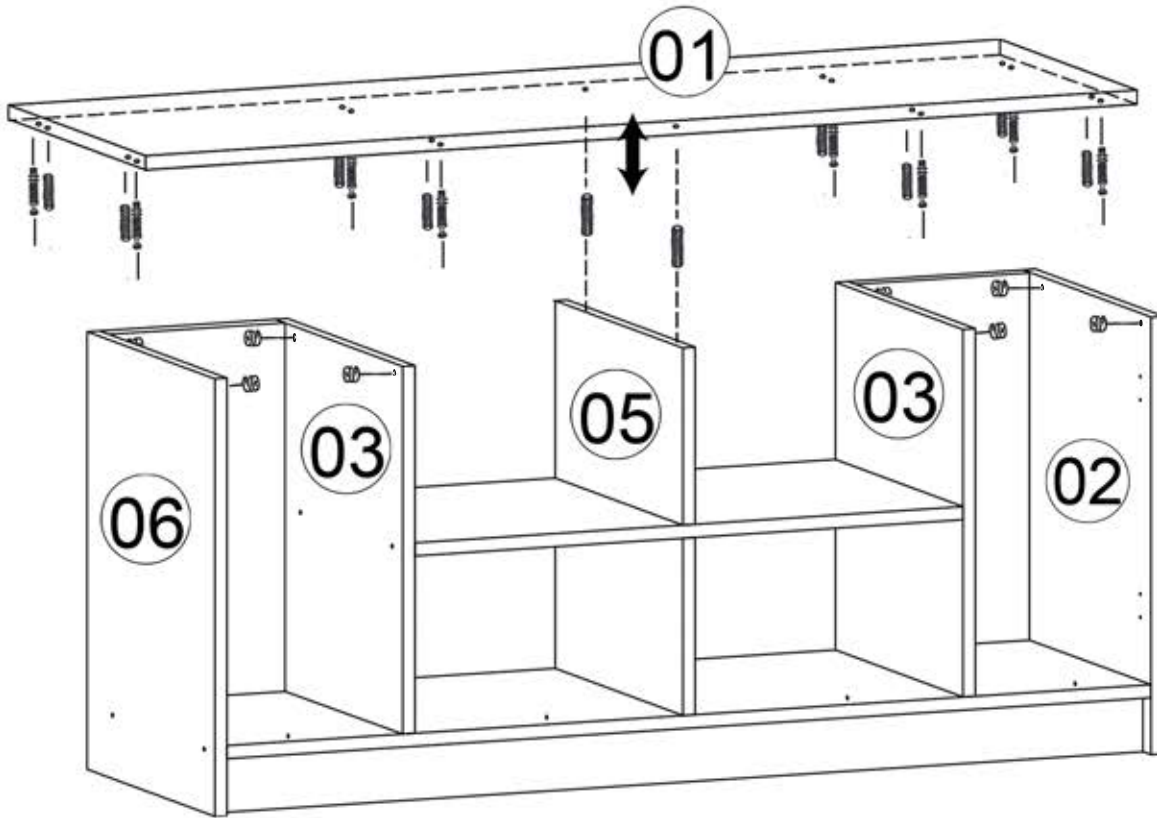
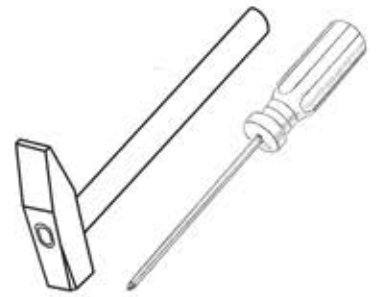


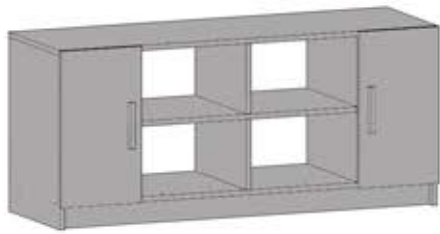
x8

x8

x10

x8

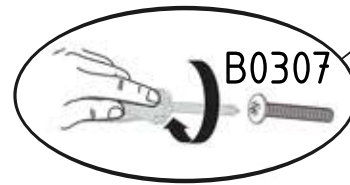




B0301 B0101 B0105 B0307 B0205

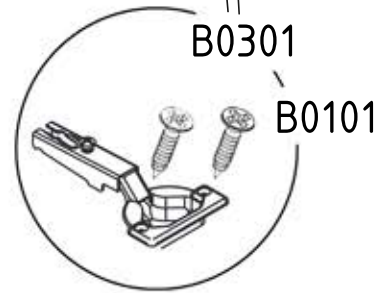
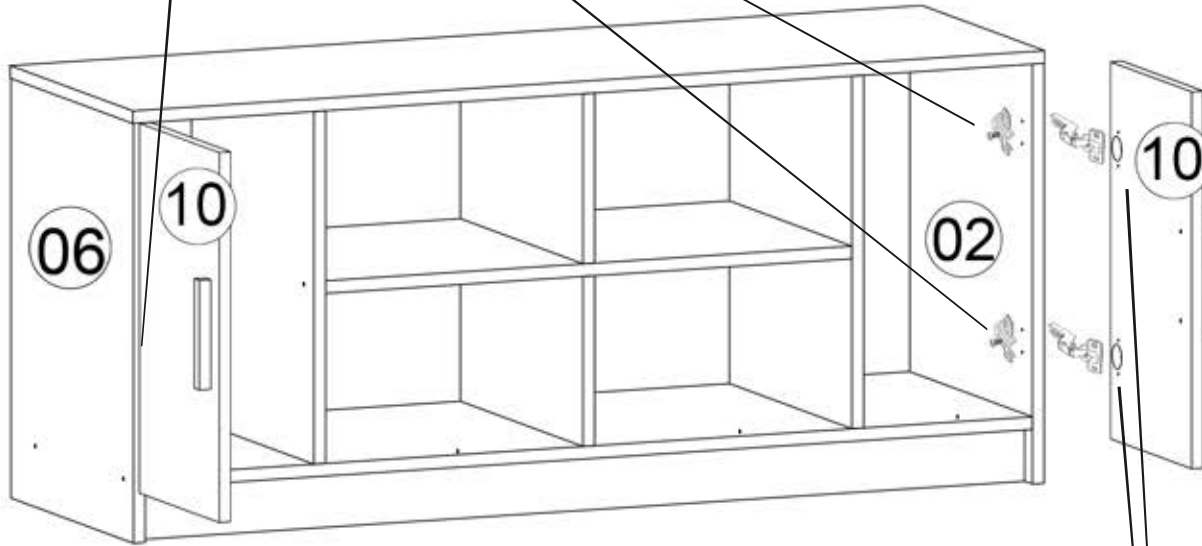


x16 x4 x4 x4 x2



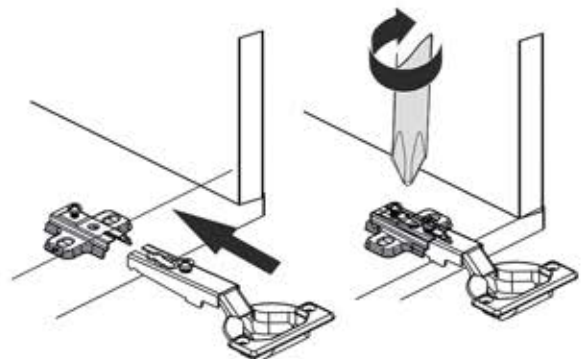
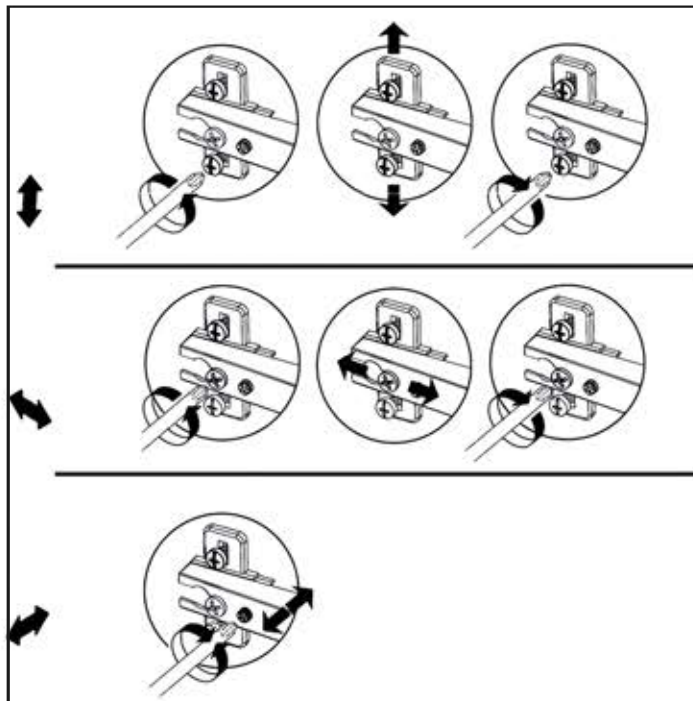
10

B0205



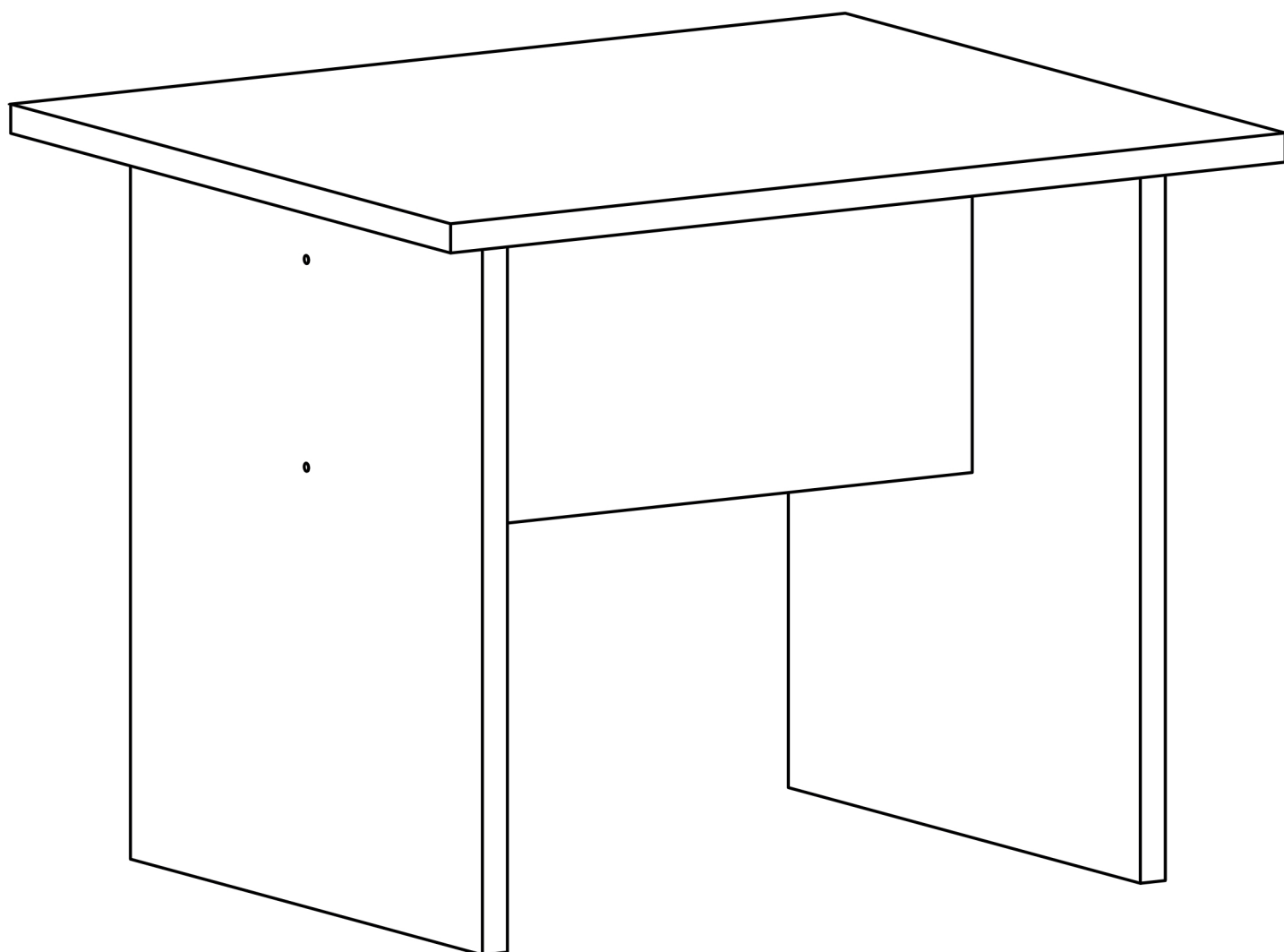
B0301

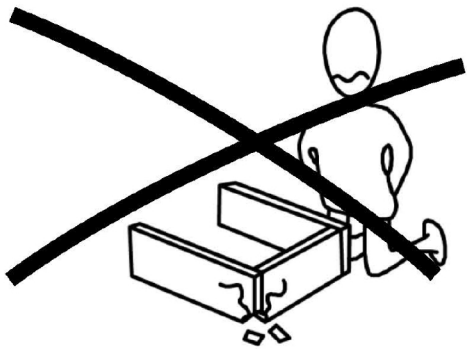
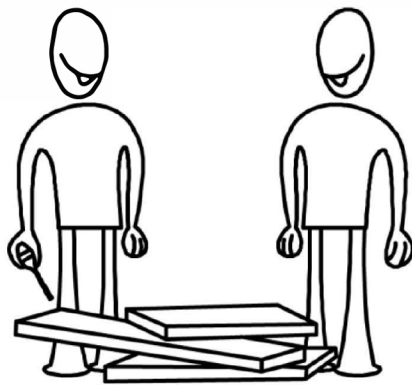
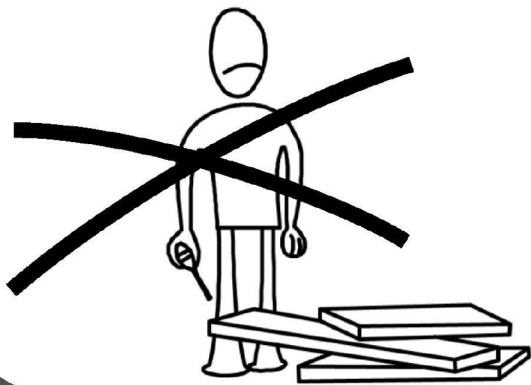
B0101



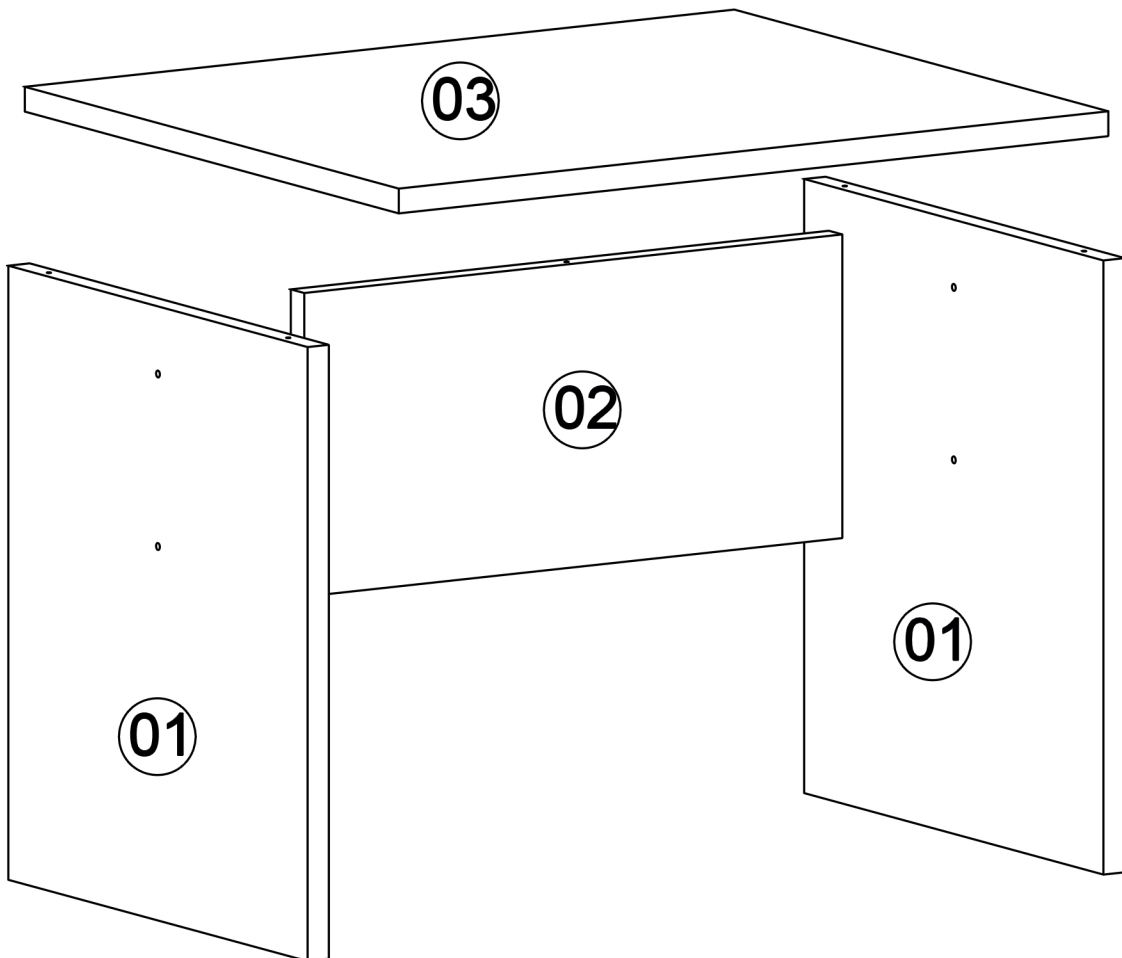
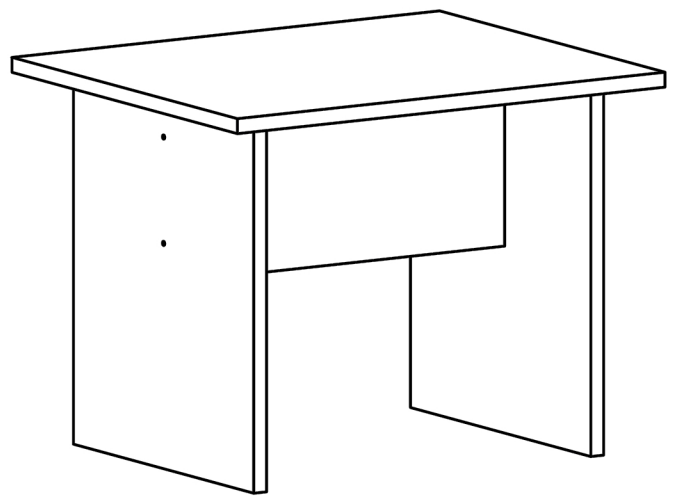
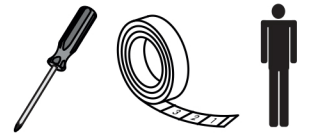
# Vario B

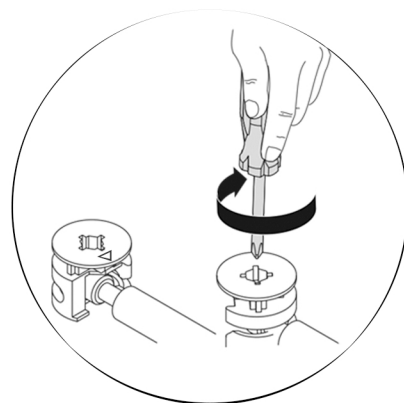
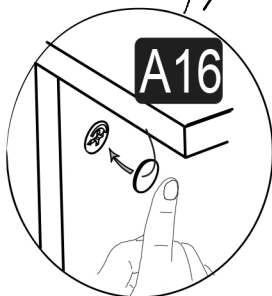
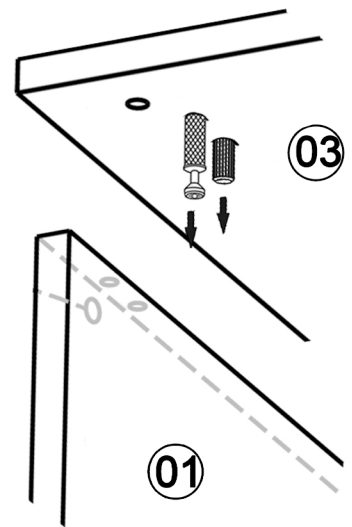
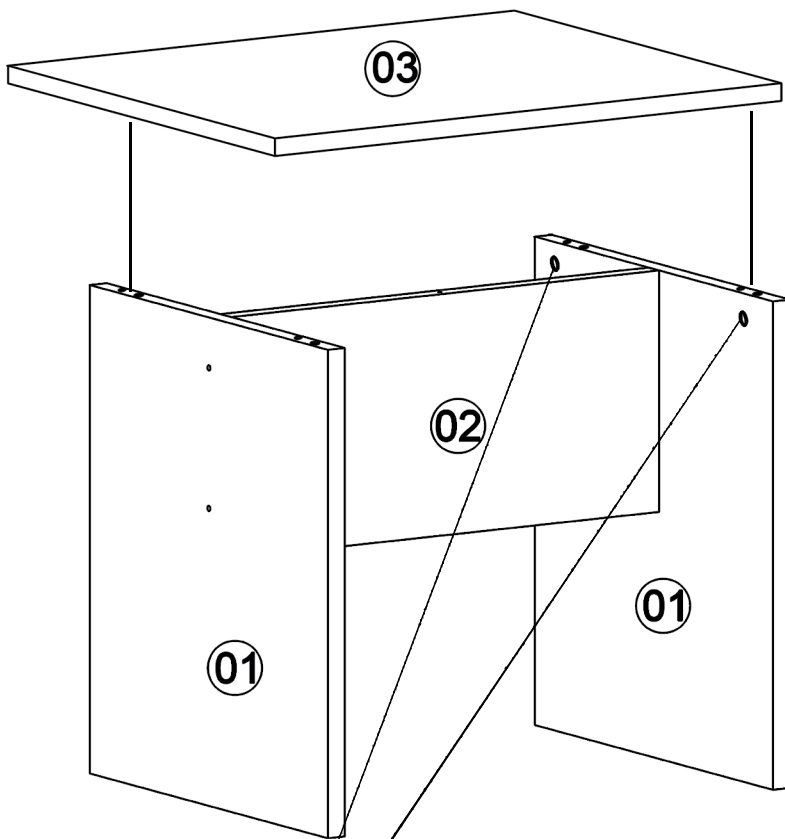
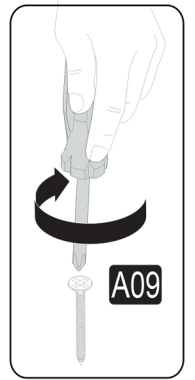
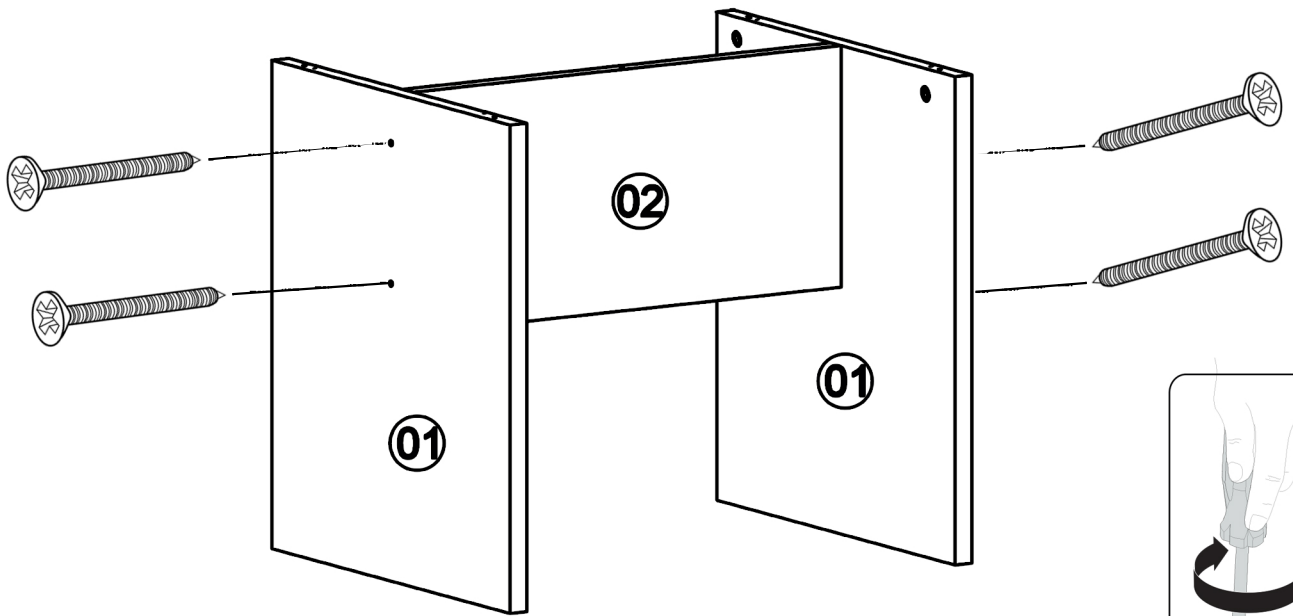
---



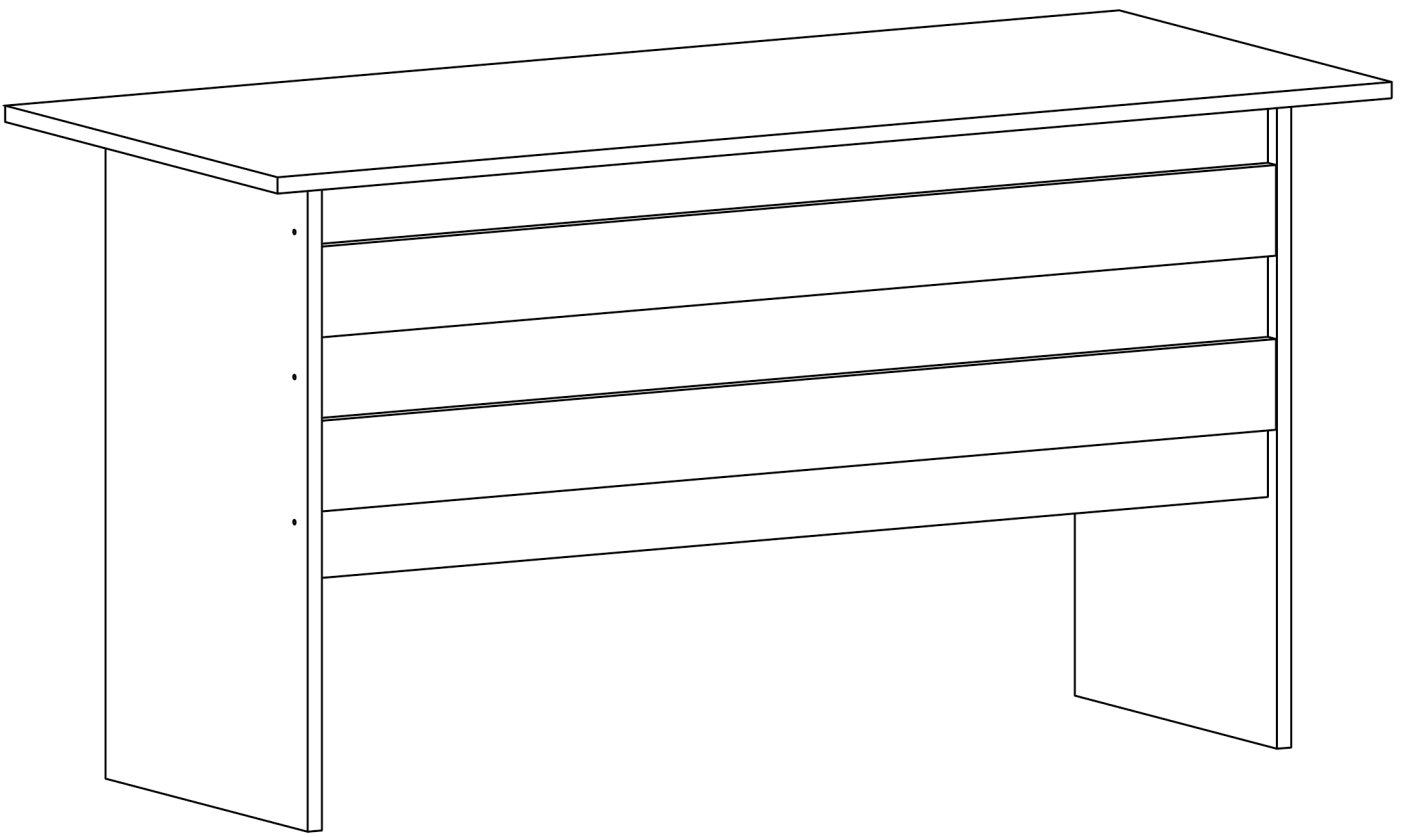




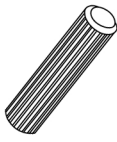
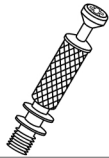





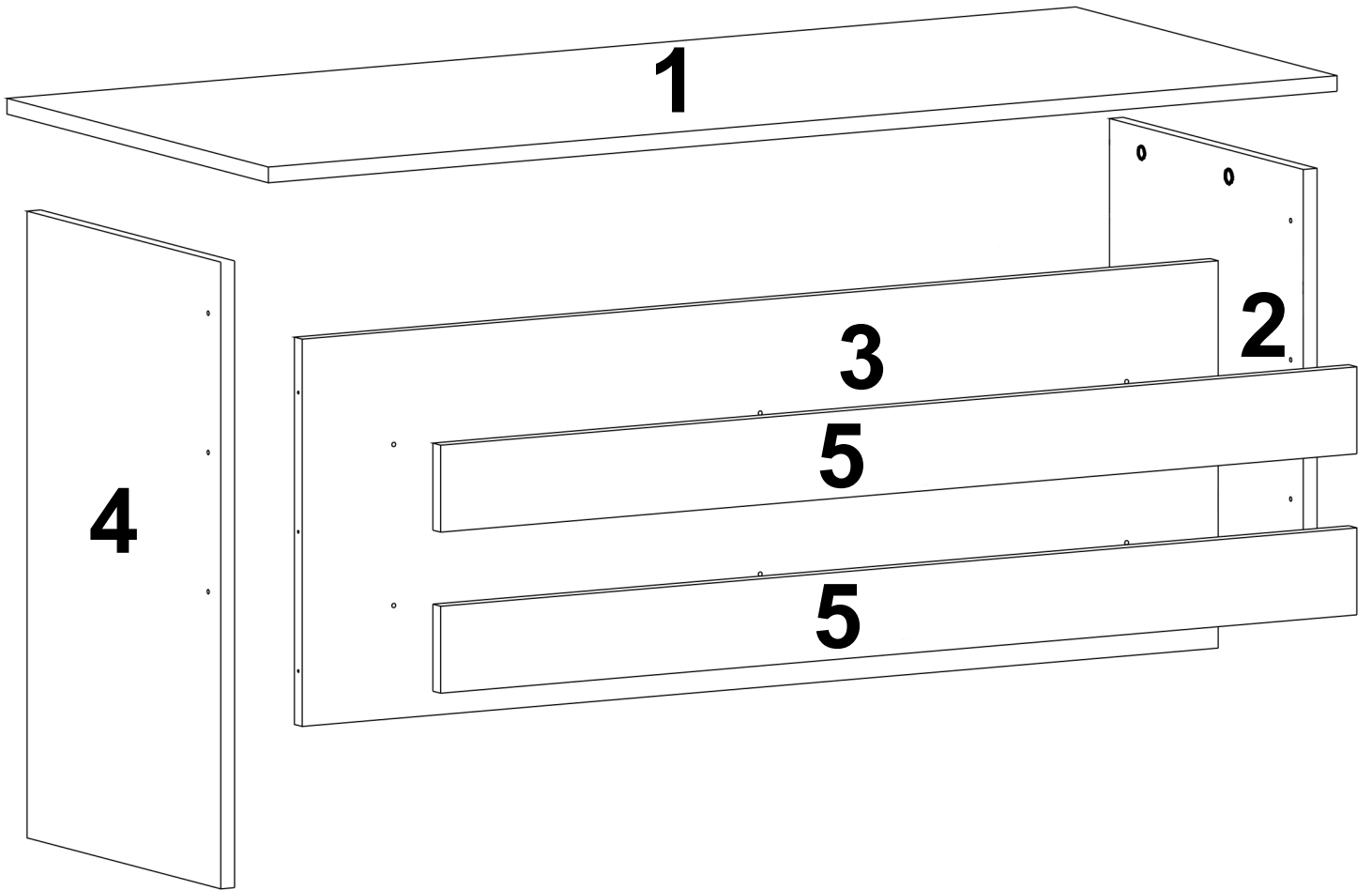


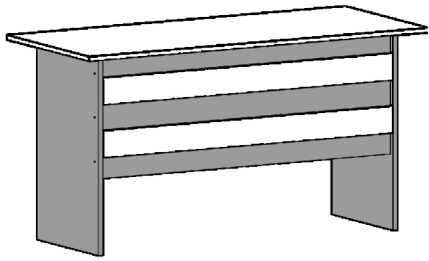


# VO1



 <p>B0501 x4</p>	 <p>B0502 x4</p>	 <p>B0503 x4</p>	 <p>B0504 x4</p>	 <p>B0304 x6</p>
 <p>B0303 x6</p>	 <p>COLOR 1 x6 COLOR 2</p>			

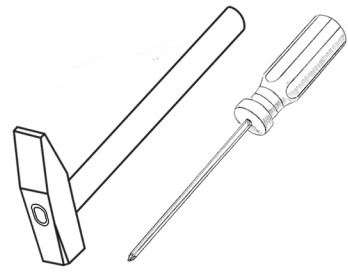




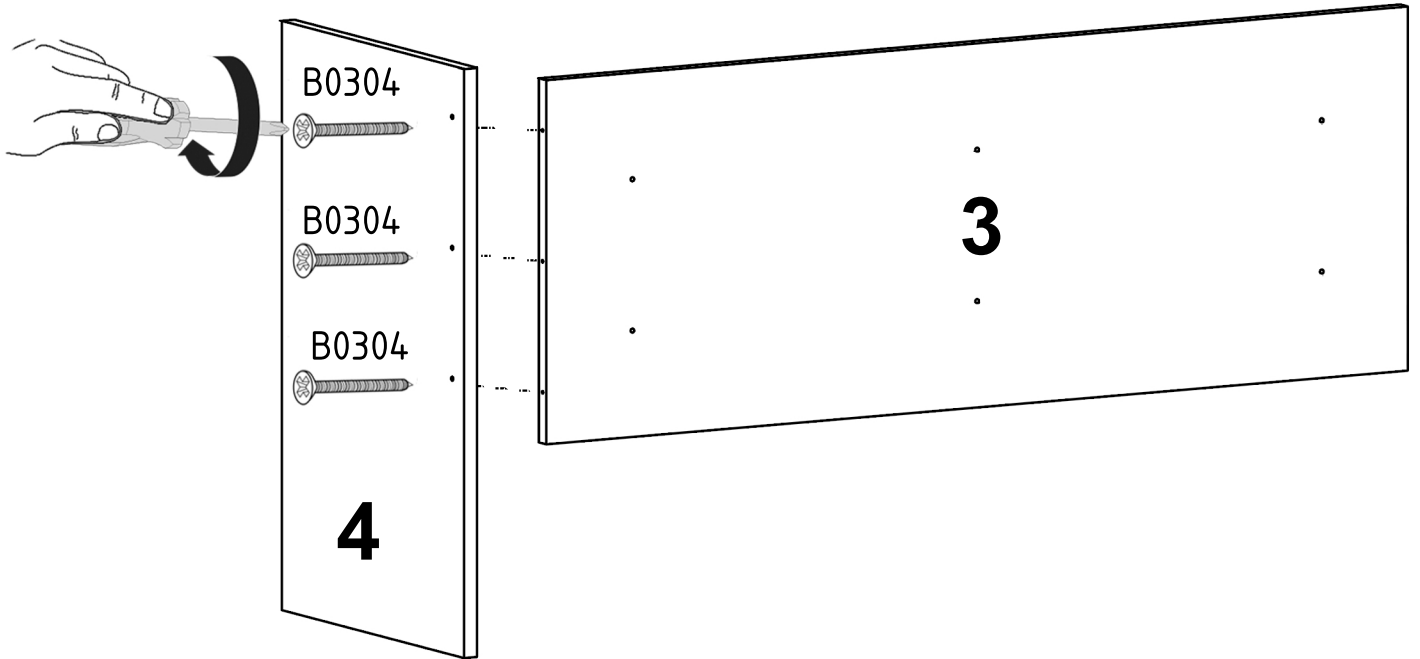
B0304



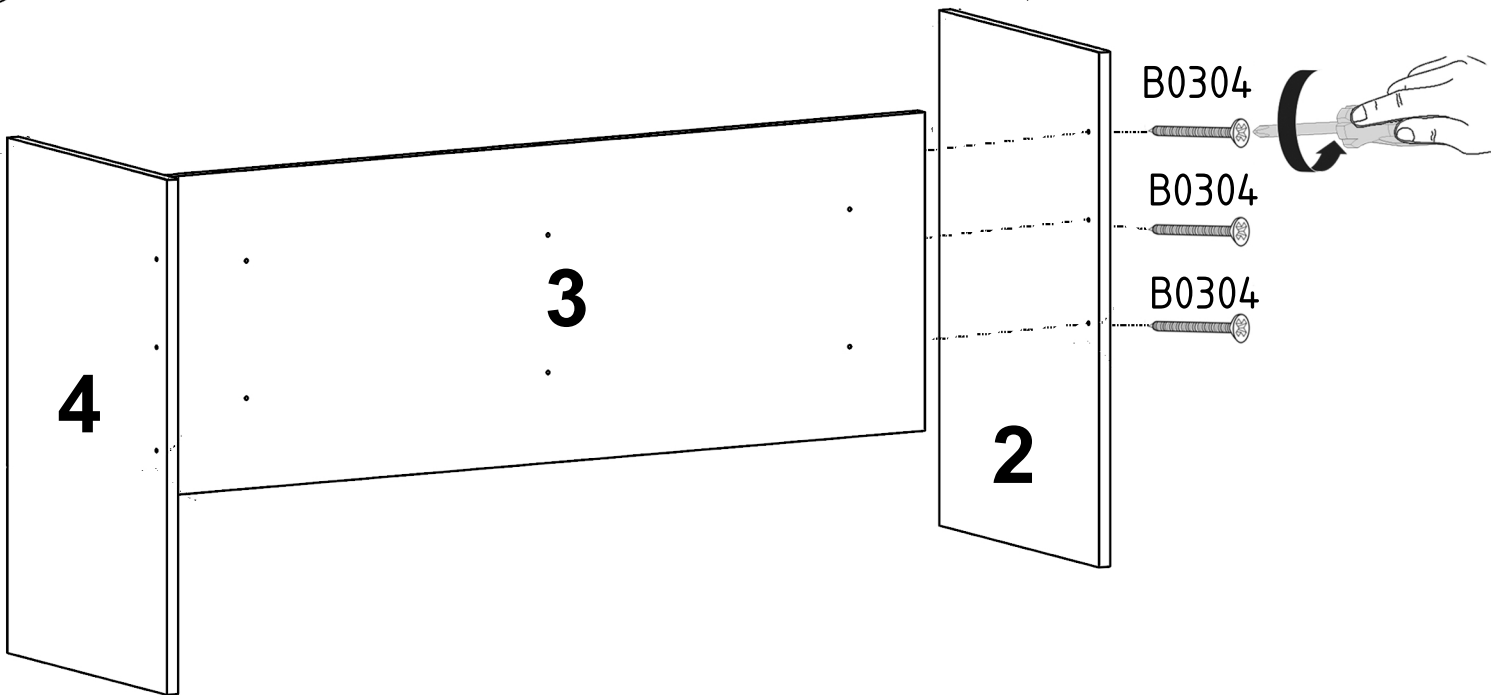
x6

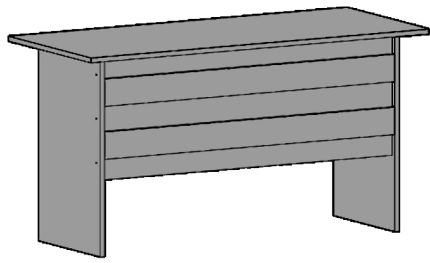


1



2





B0303



x6

B0502



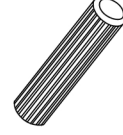
x4

B0501



x4

B0503

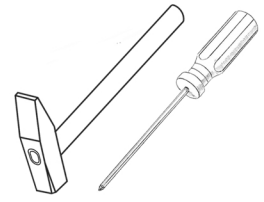


x4

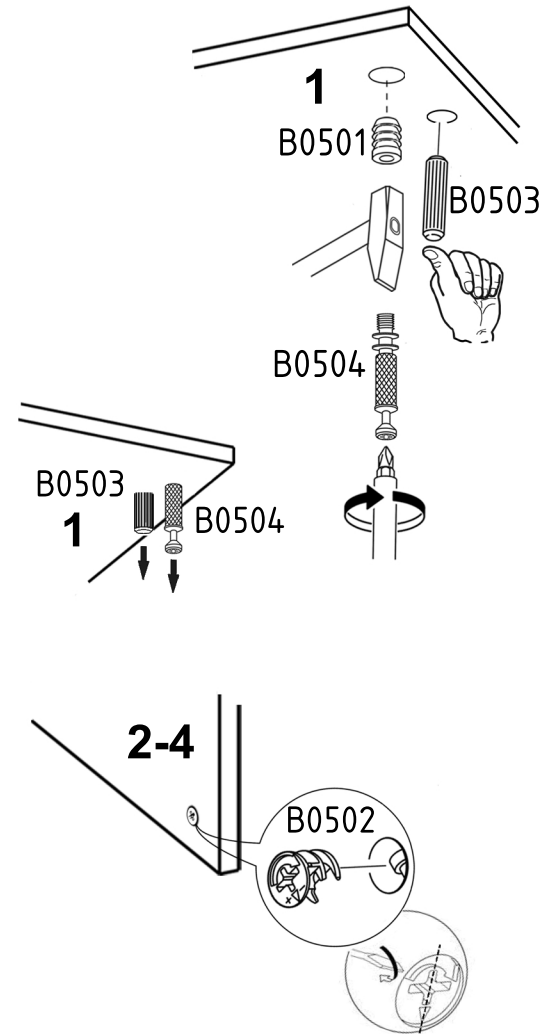
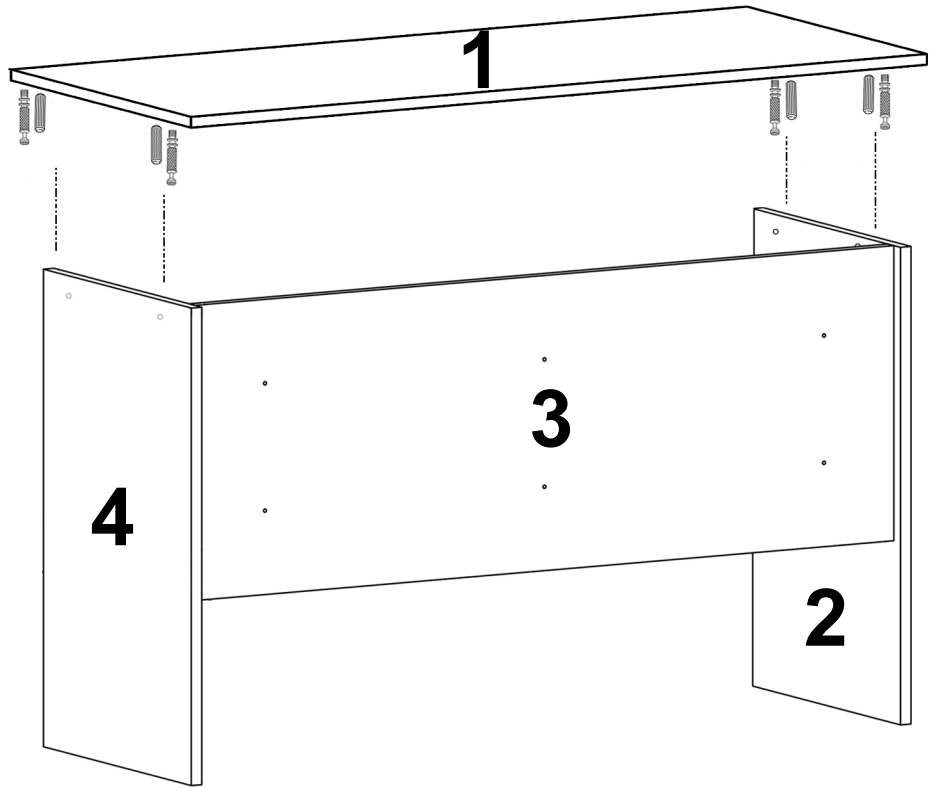
B0504



x4



3



4

