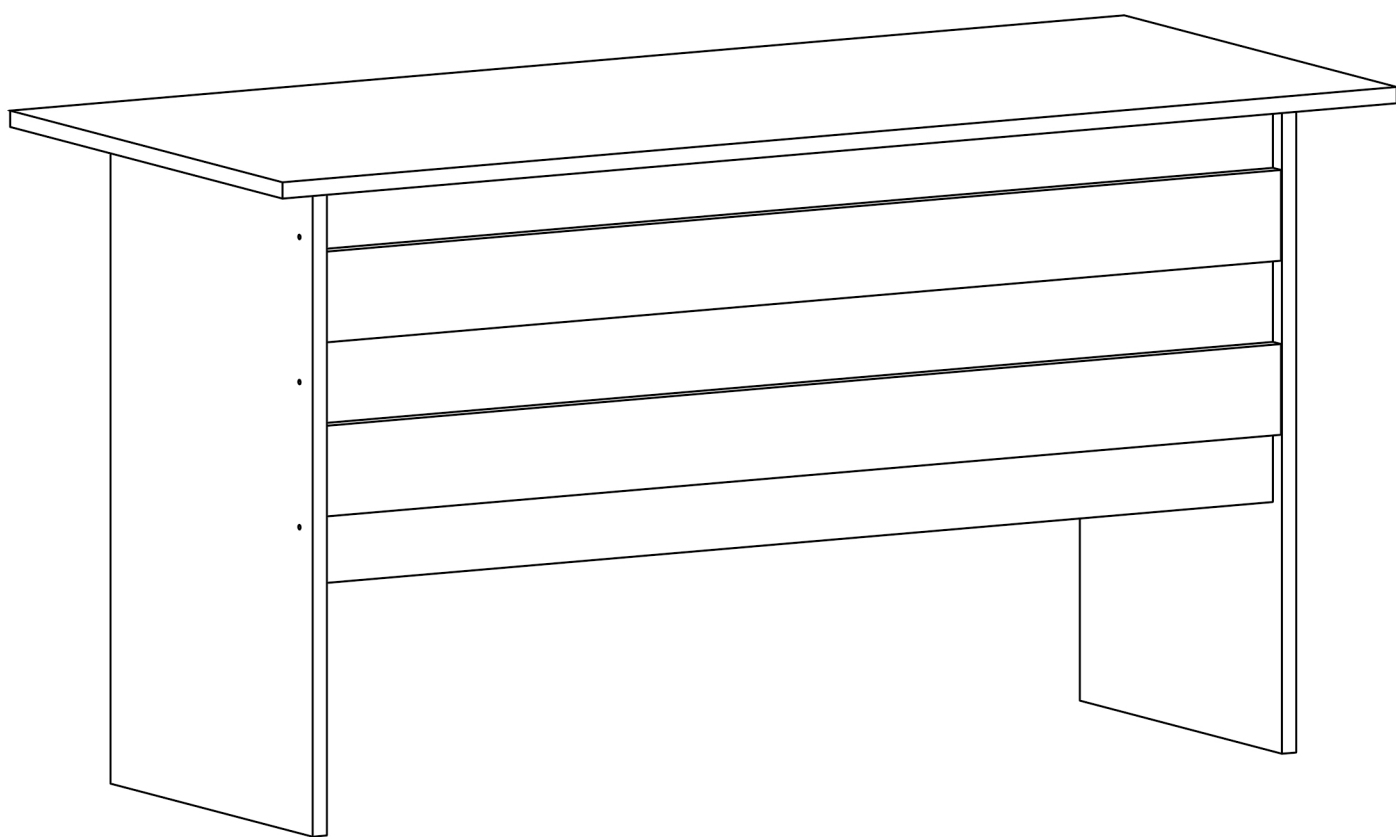


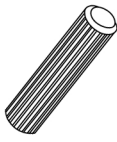
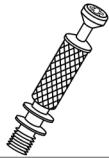



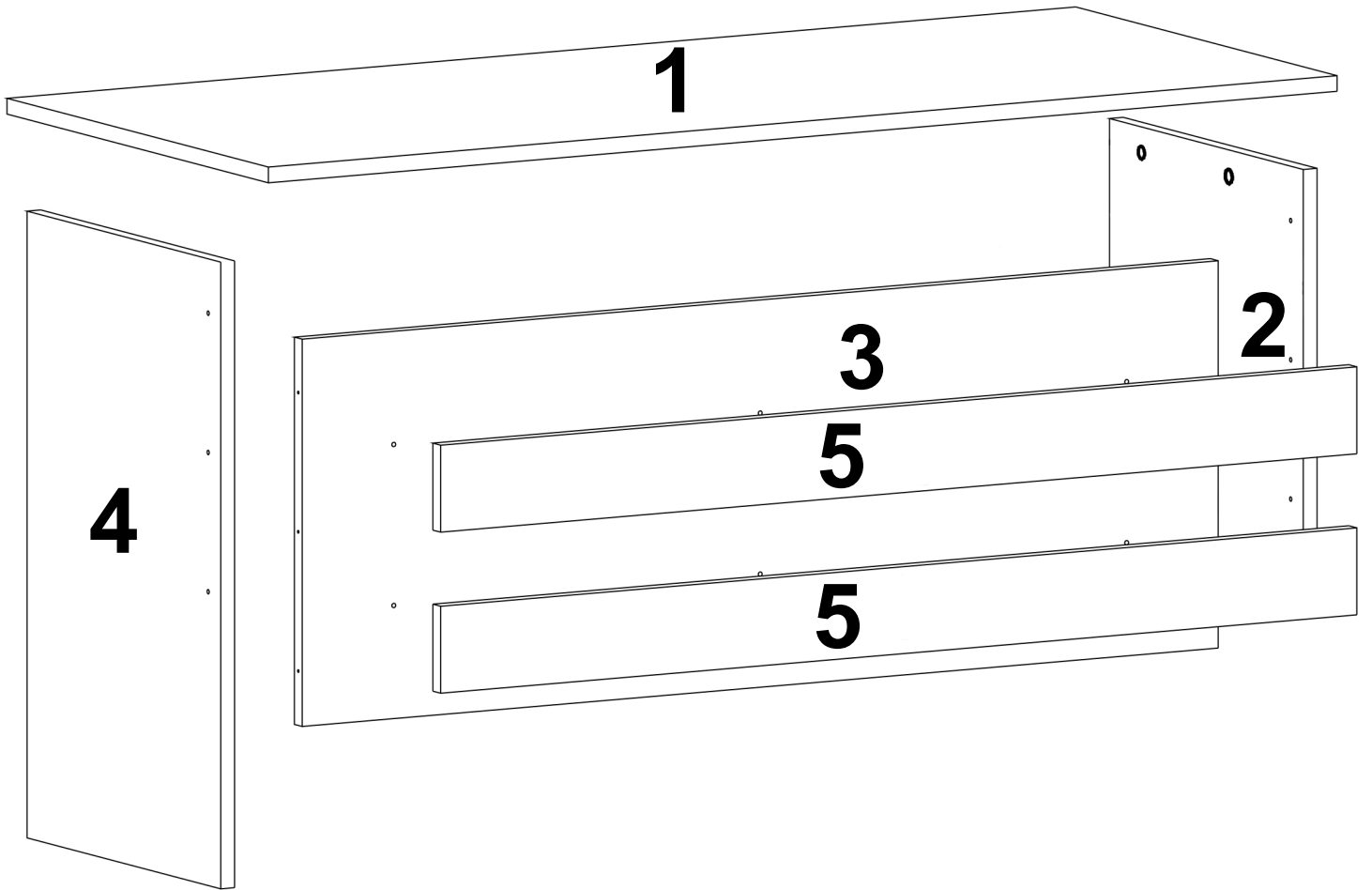
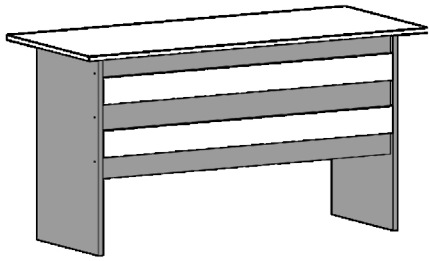


# VO1



 <p>B0501 x4</p>	 <p>B0502 x4</p>	 <p>B0503 x4</p>	 <p>B0504 x4</p>	 <p>B0304 x6</p>
 <p>B0303 x6</p>	 <p>COLOR 1 x6 COLOR 2</p>			

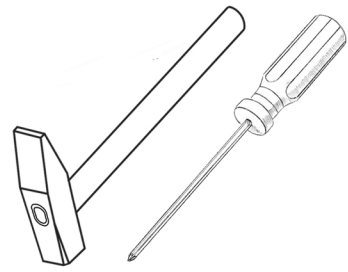




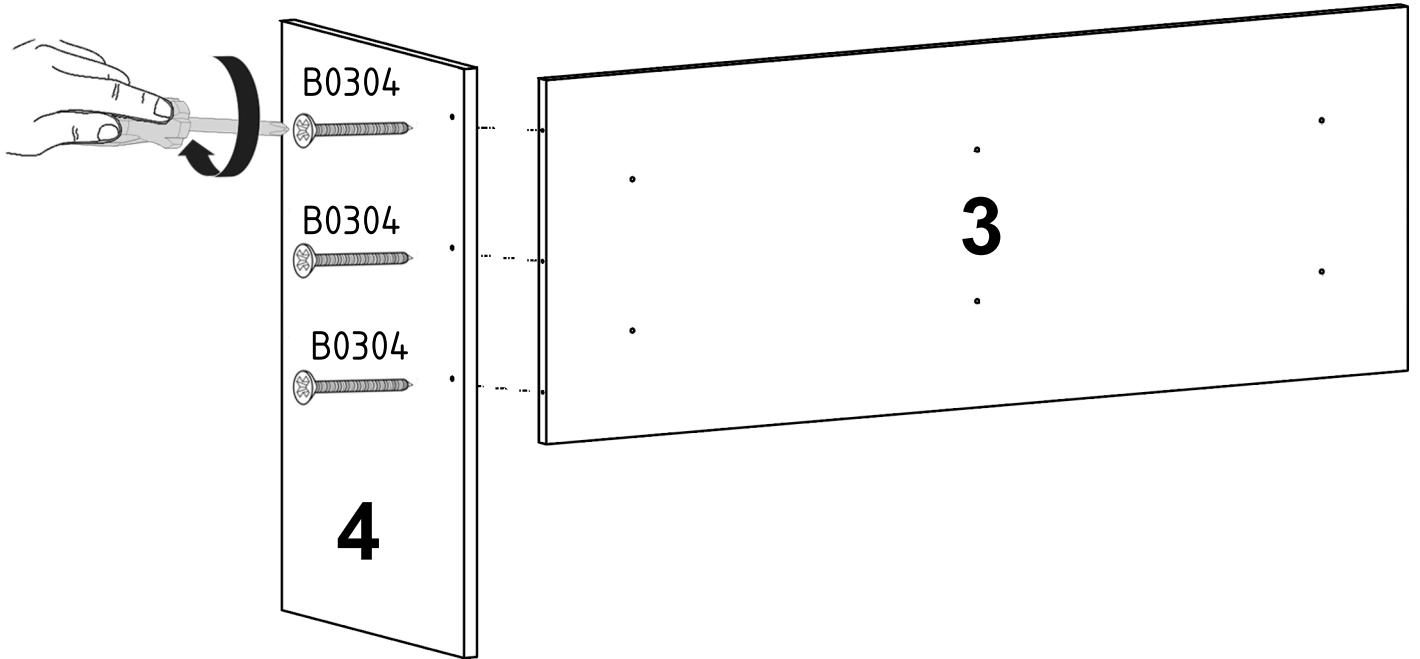
B0304



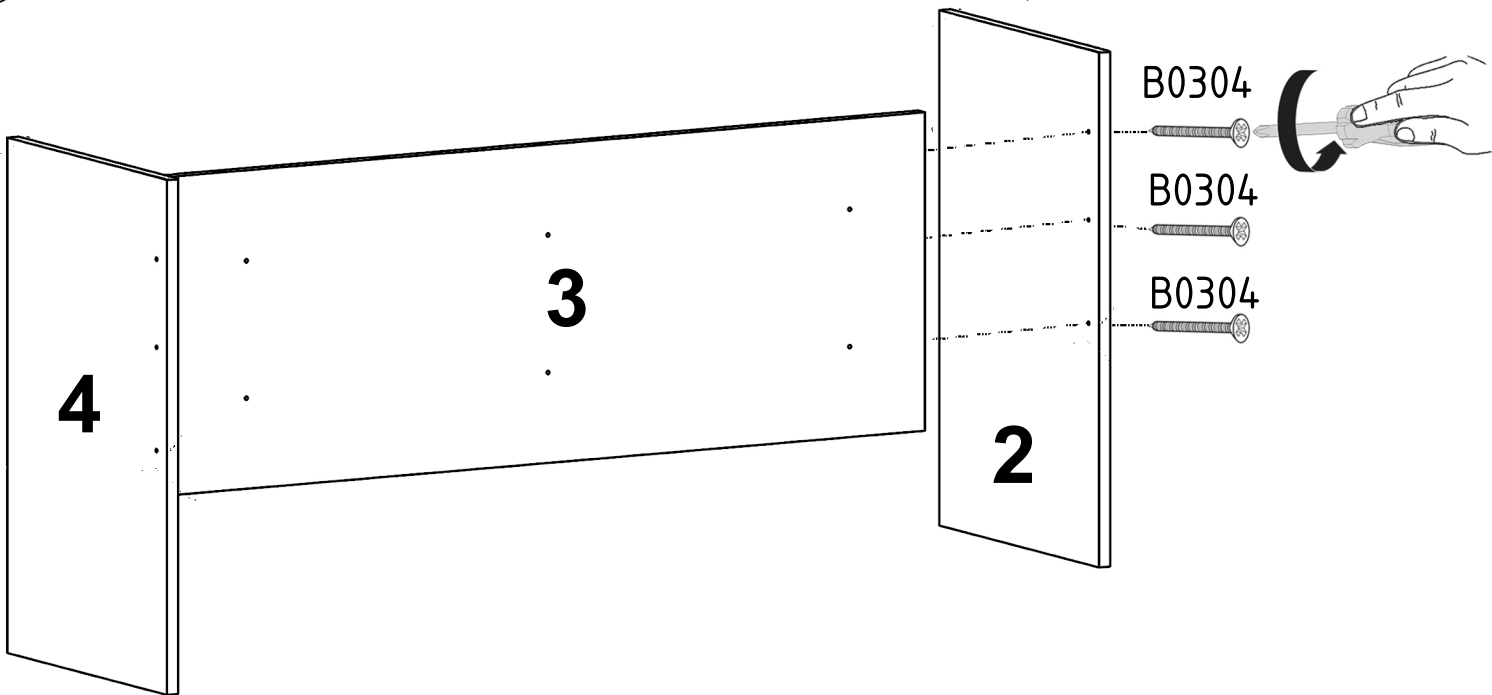
x6

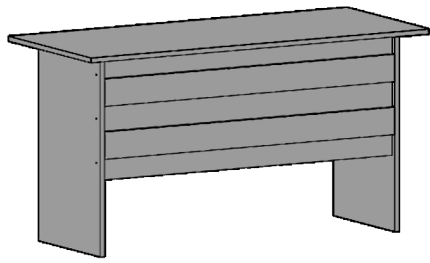


1



2





B0303



x6

B0502



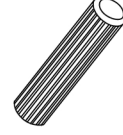
x4

B0501



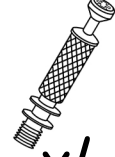
x4

B0503

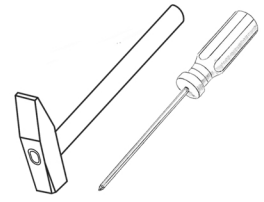


x4

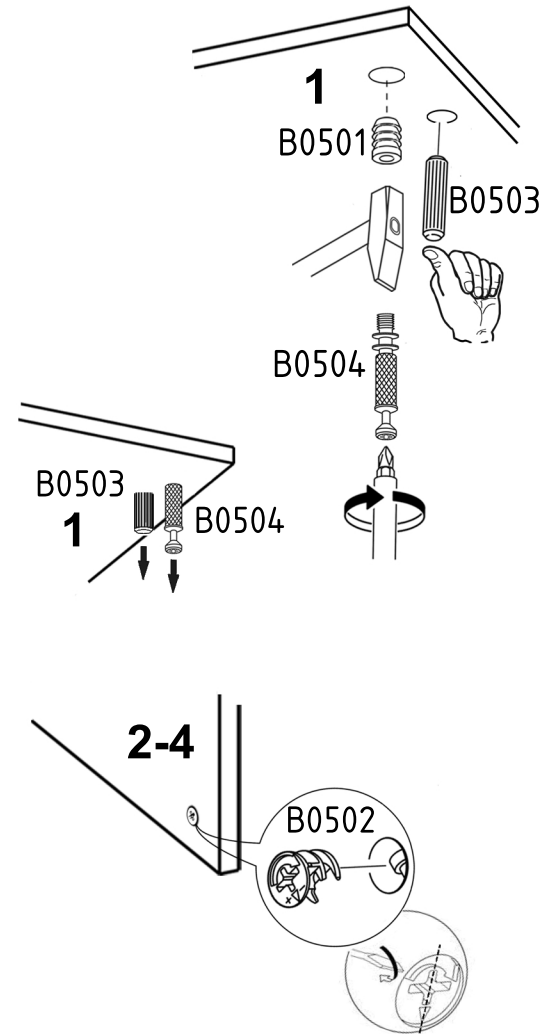
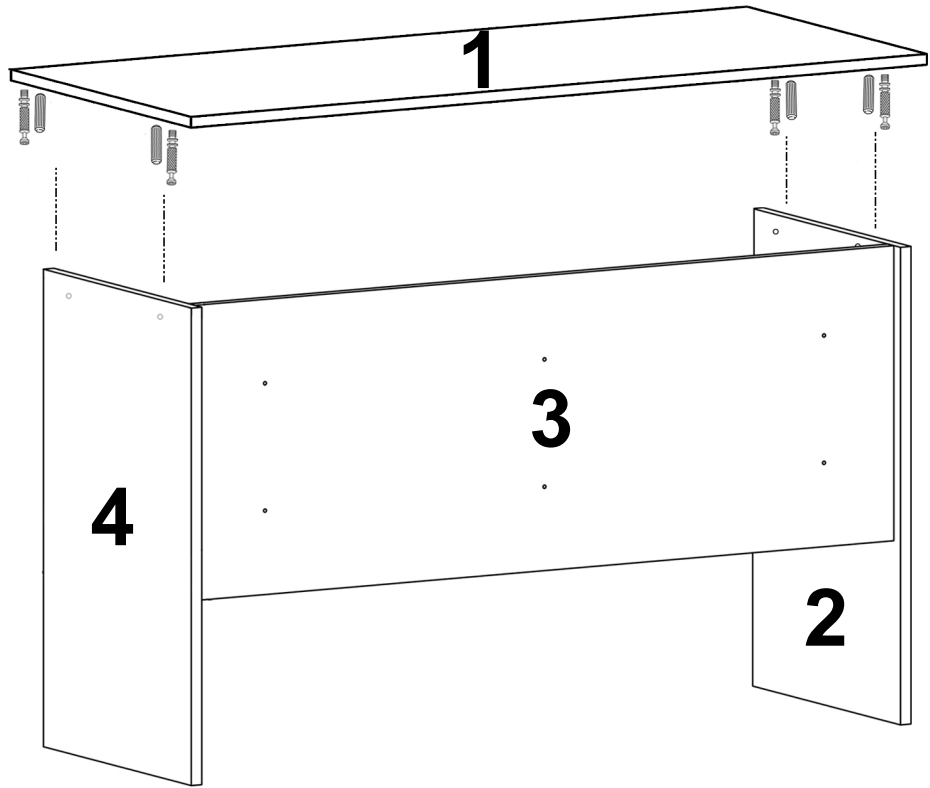
B0504



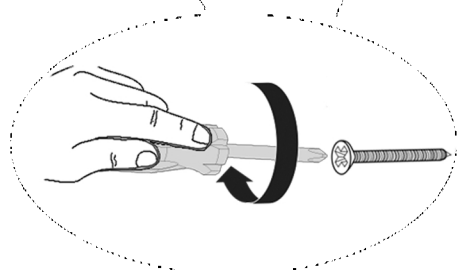
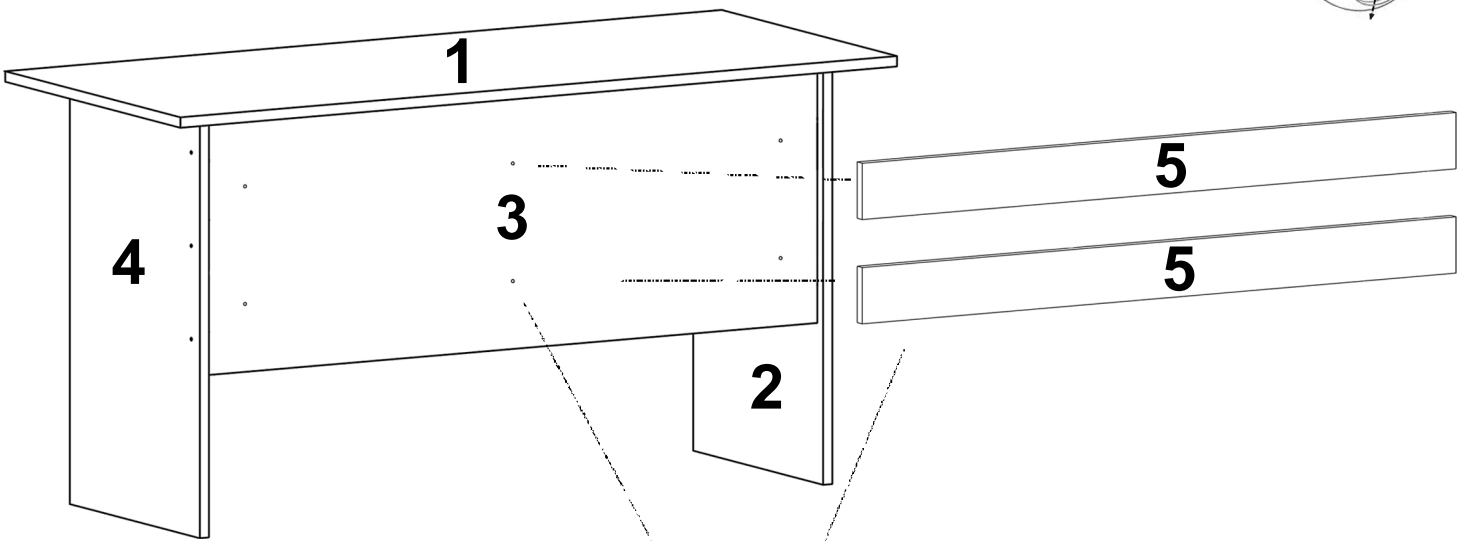
x4



3



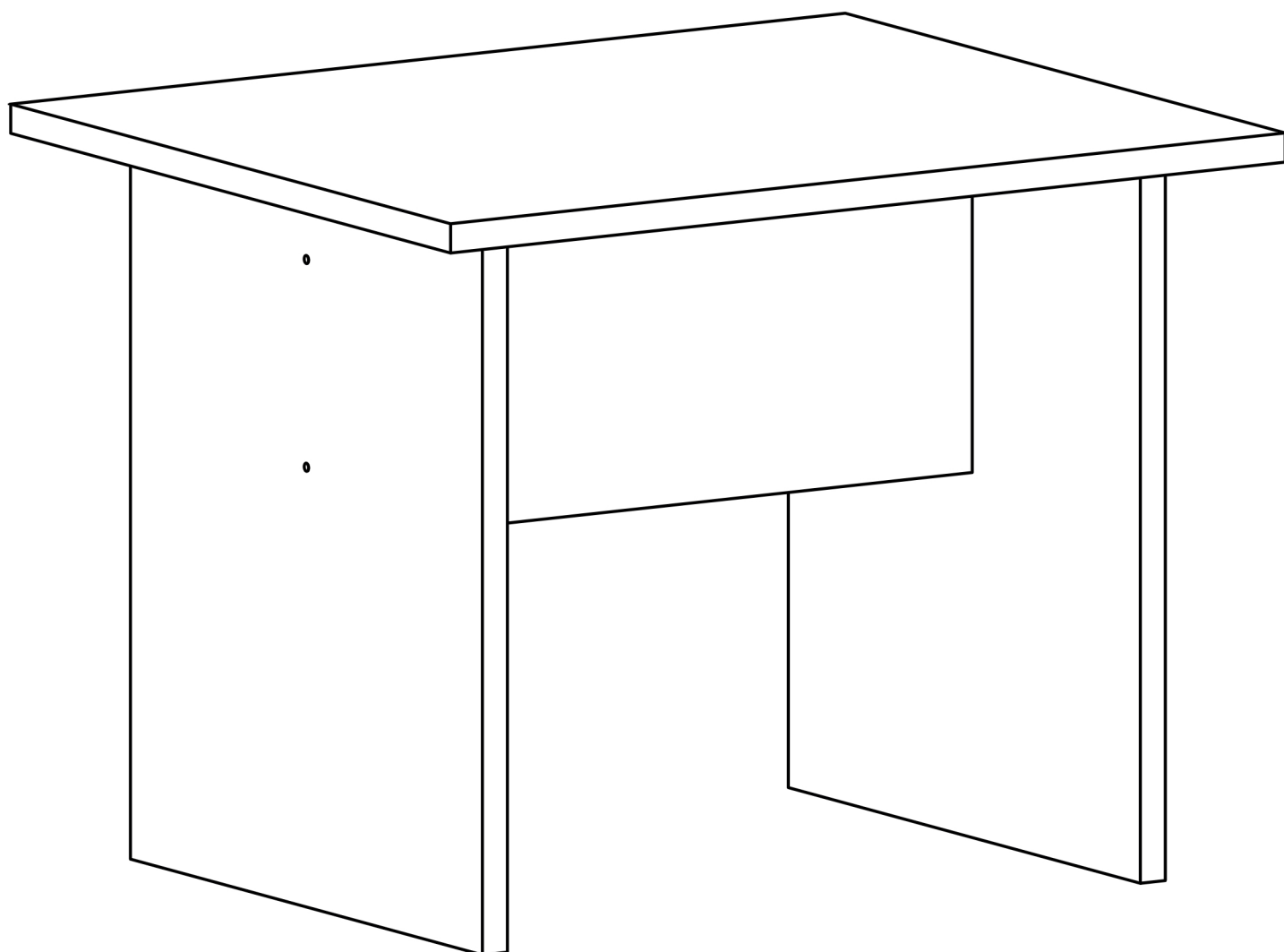
4

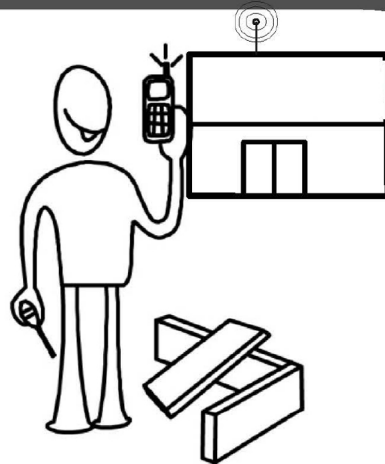
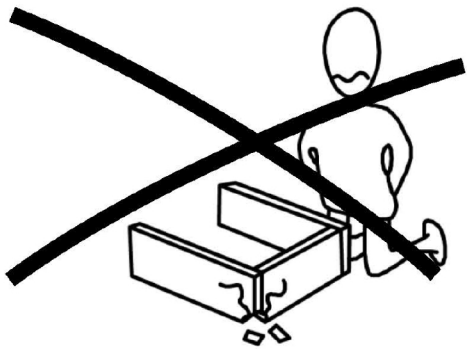
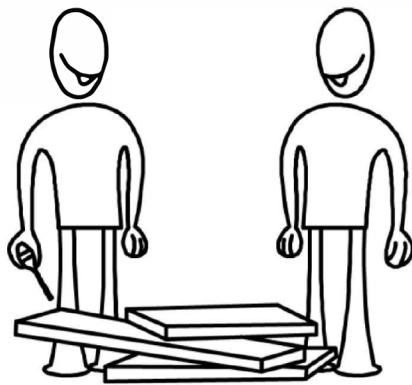
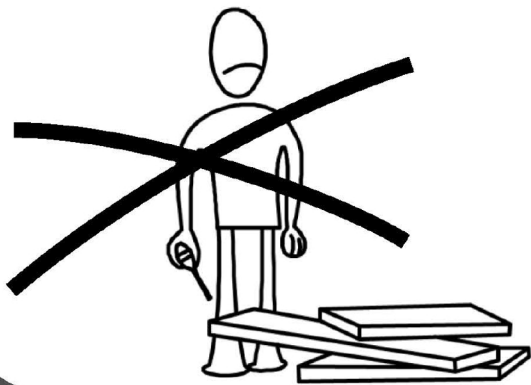


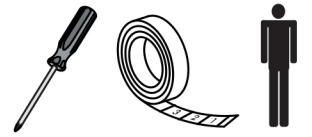
4


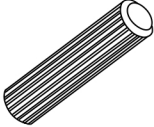
# Vario B

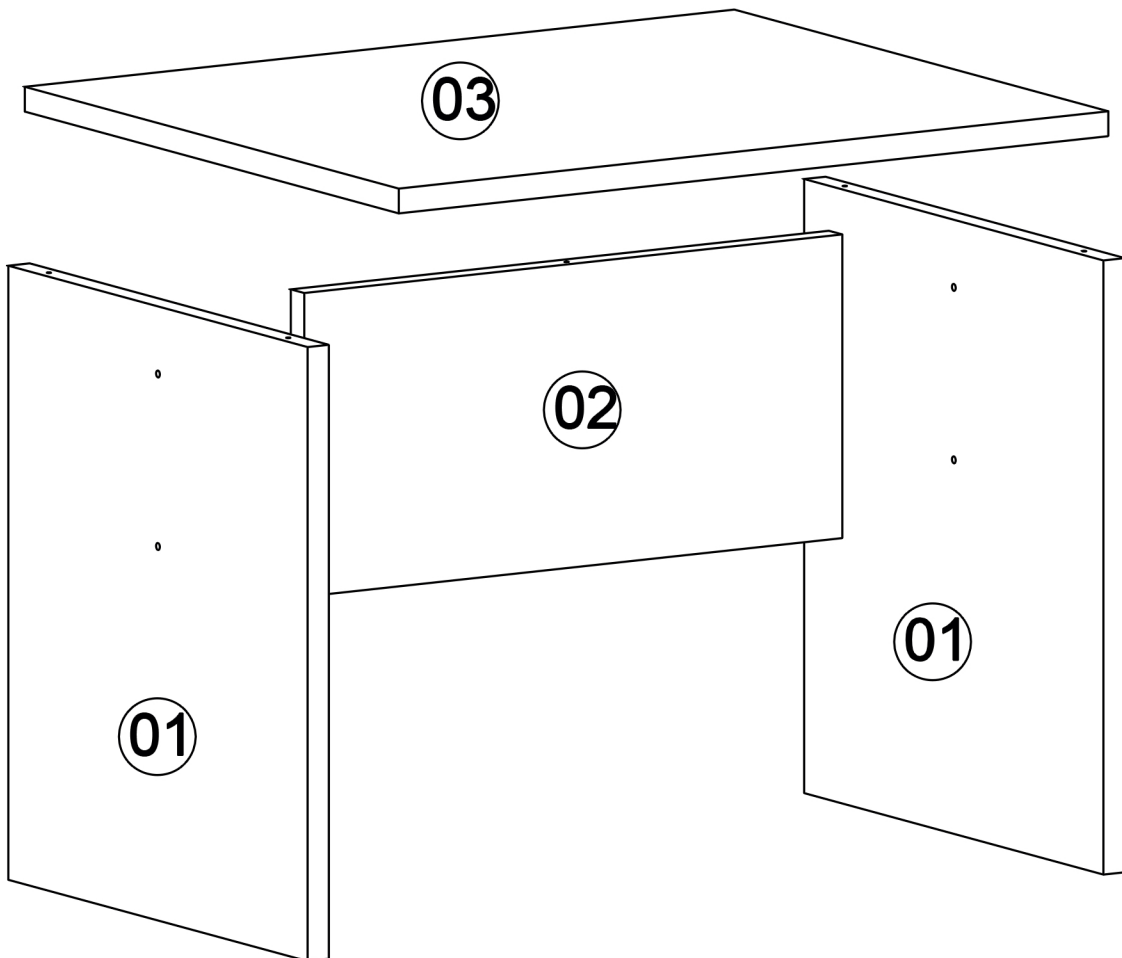
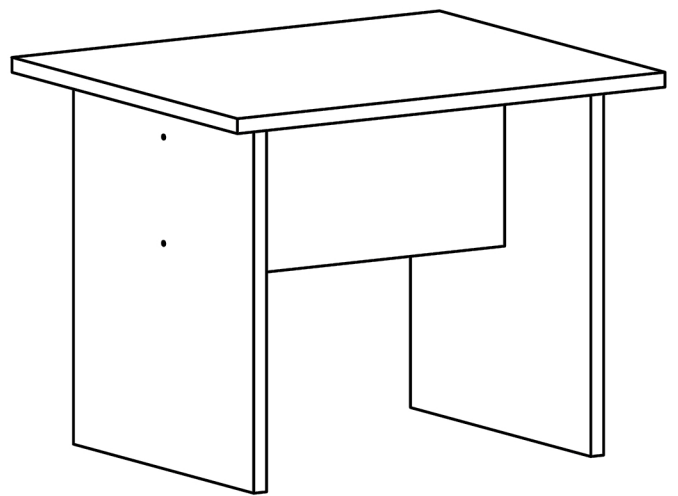
---

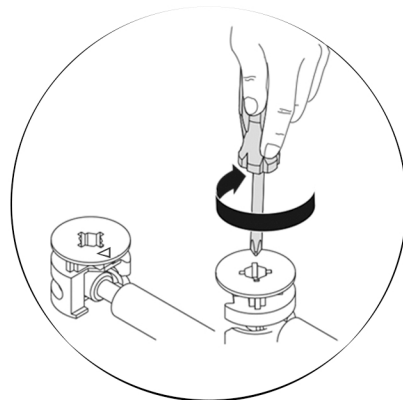
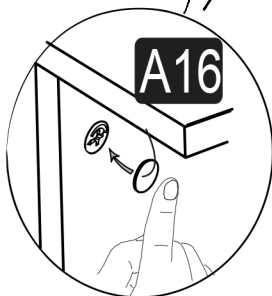
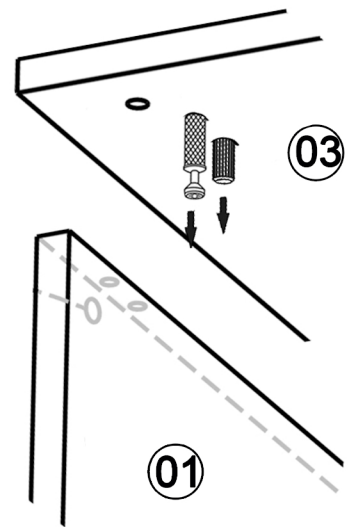
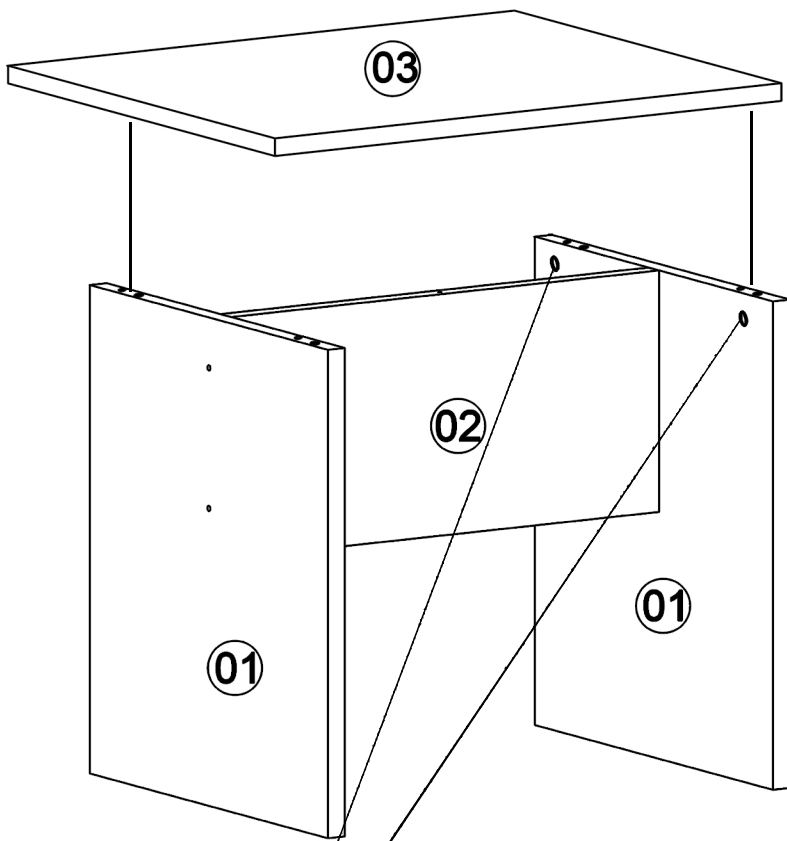
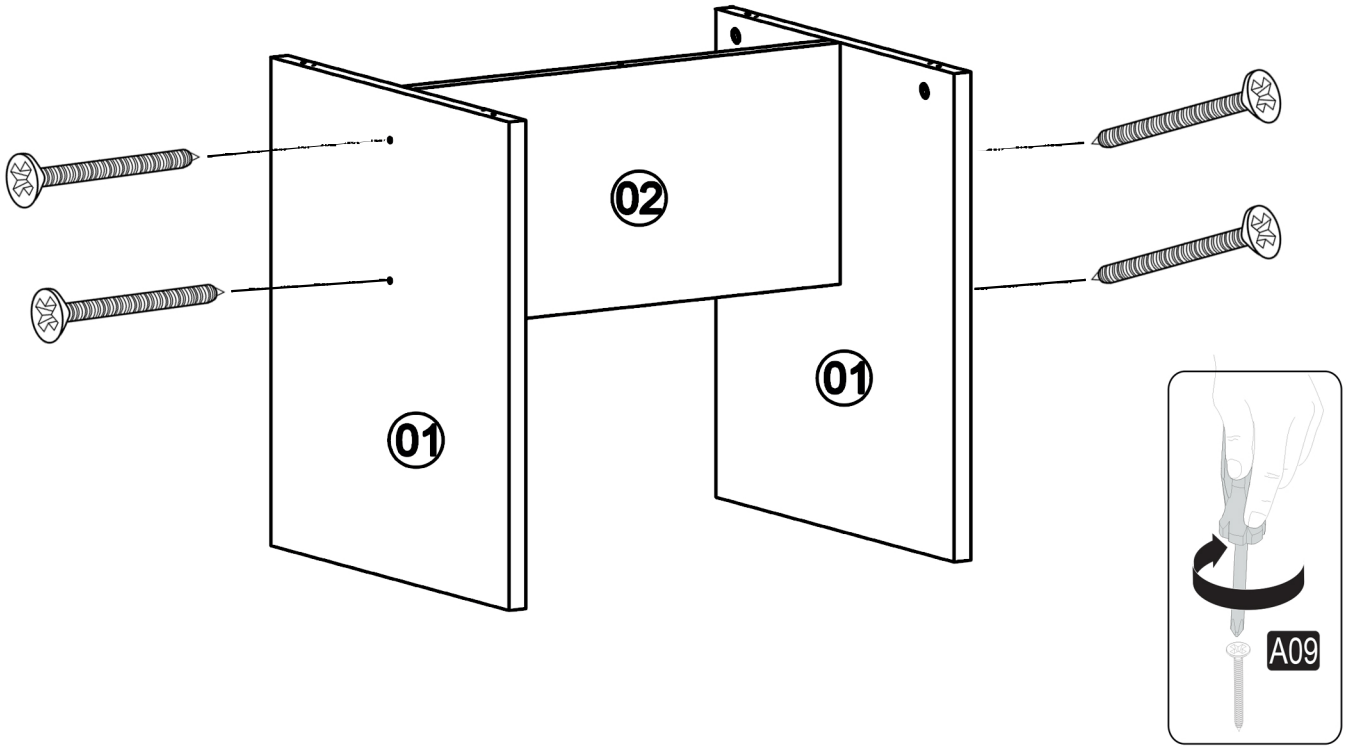






<b>A09</b>  <b>4x</b>	<b>A16</b> Colour 1 Colour 2  <b>4x</b>	 <b>4x</b>	 <b>4x</b>	 <b>4x</b>
 <b>4x</b>				



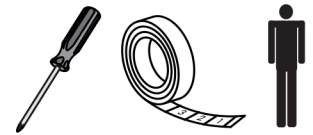




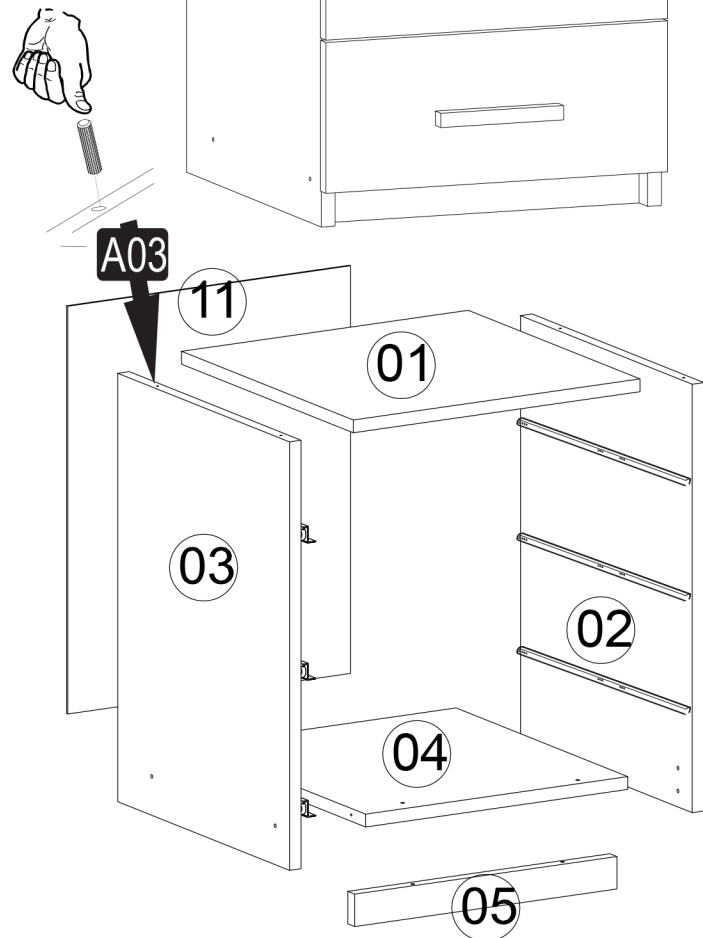
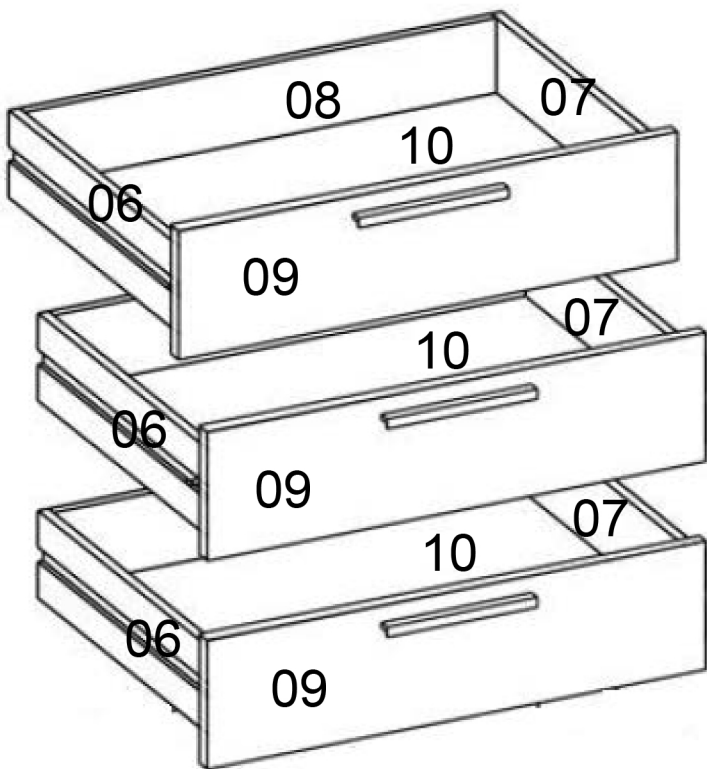
# Vario C

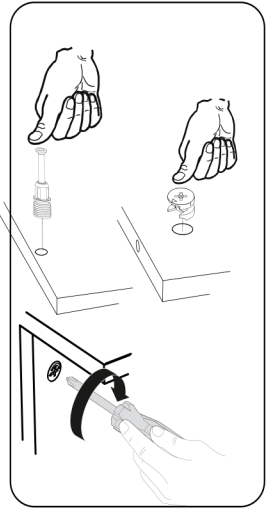
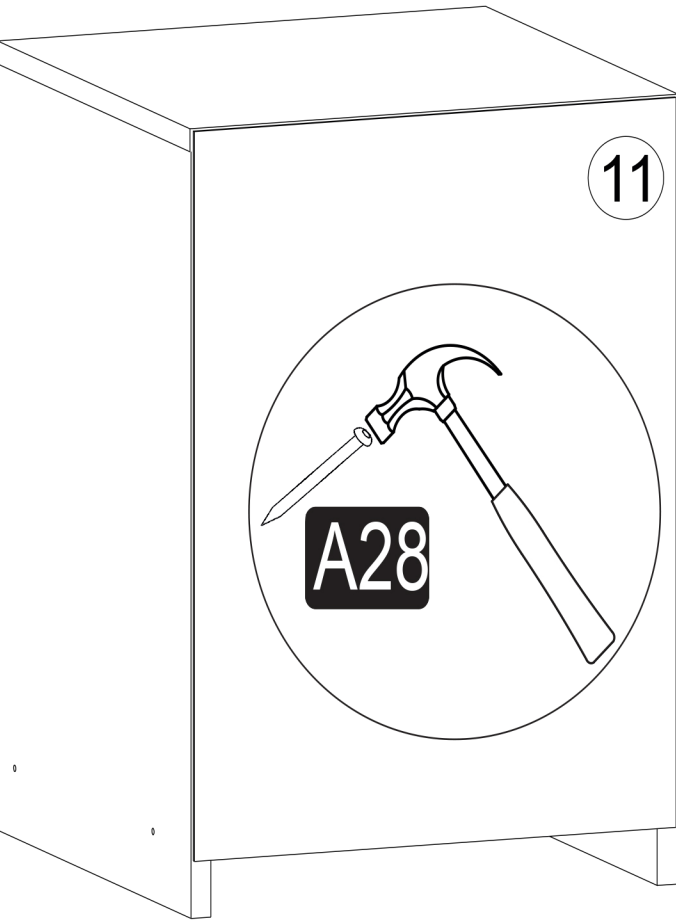
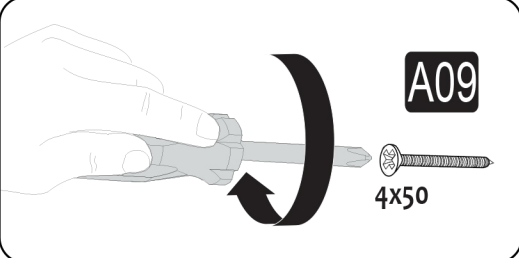
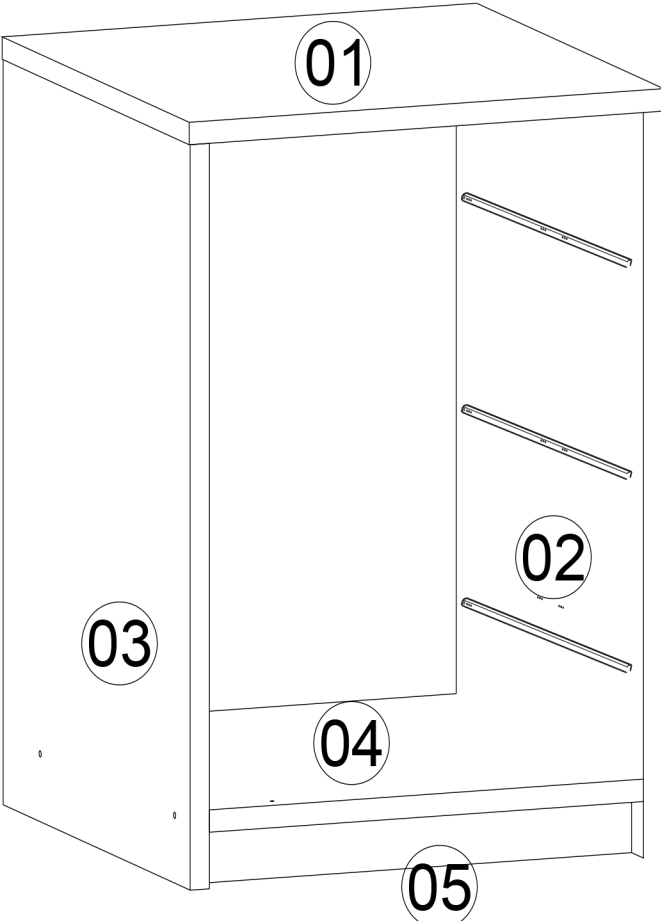
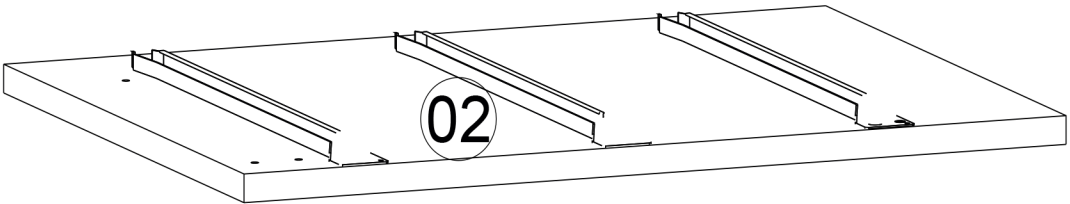
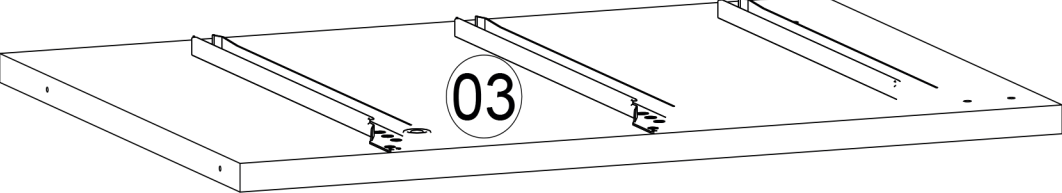


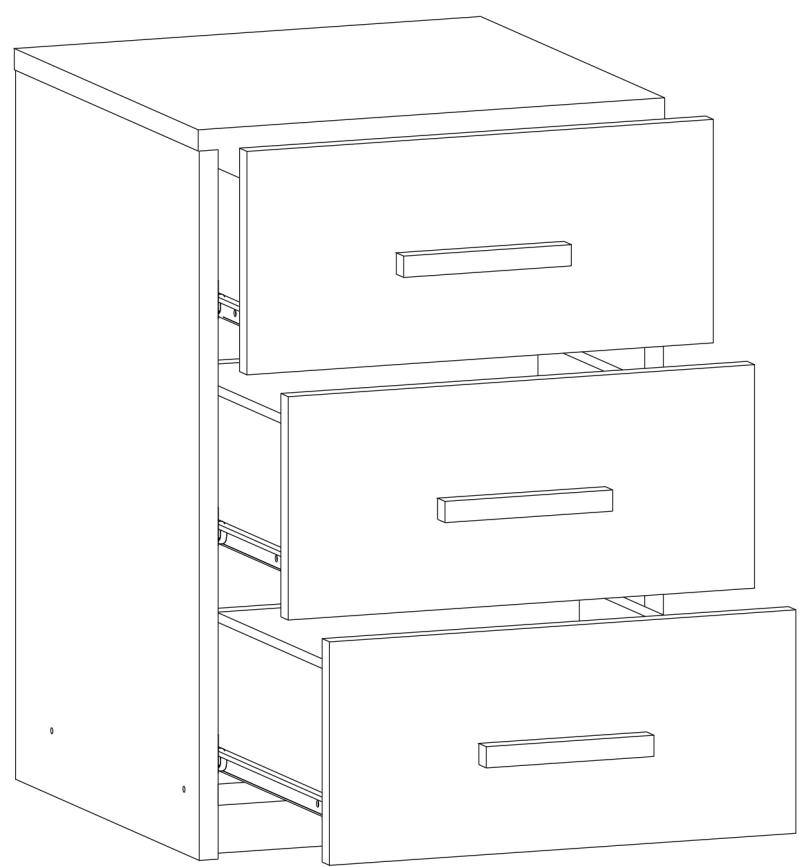
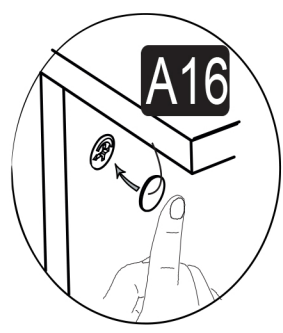
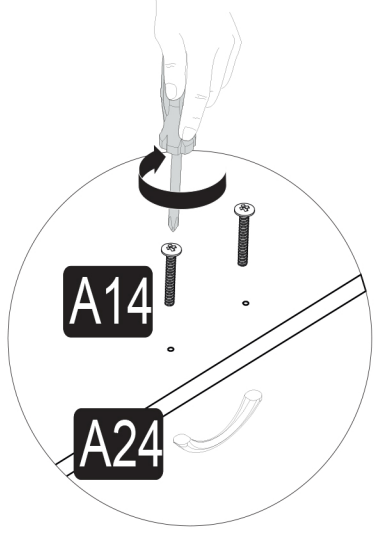
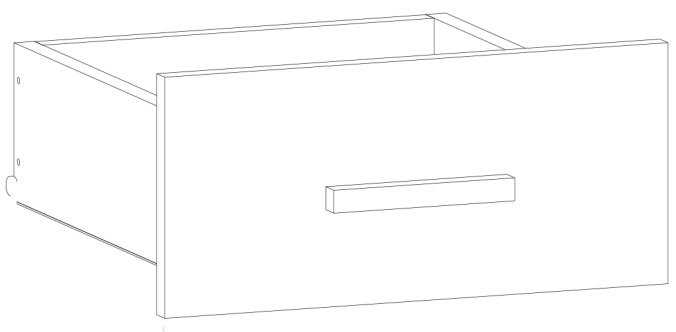
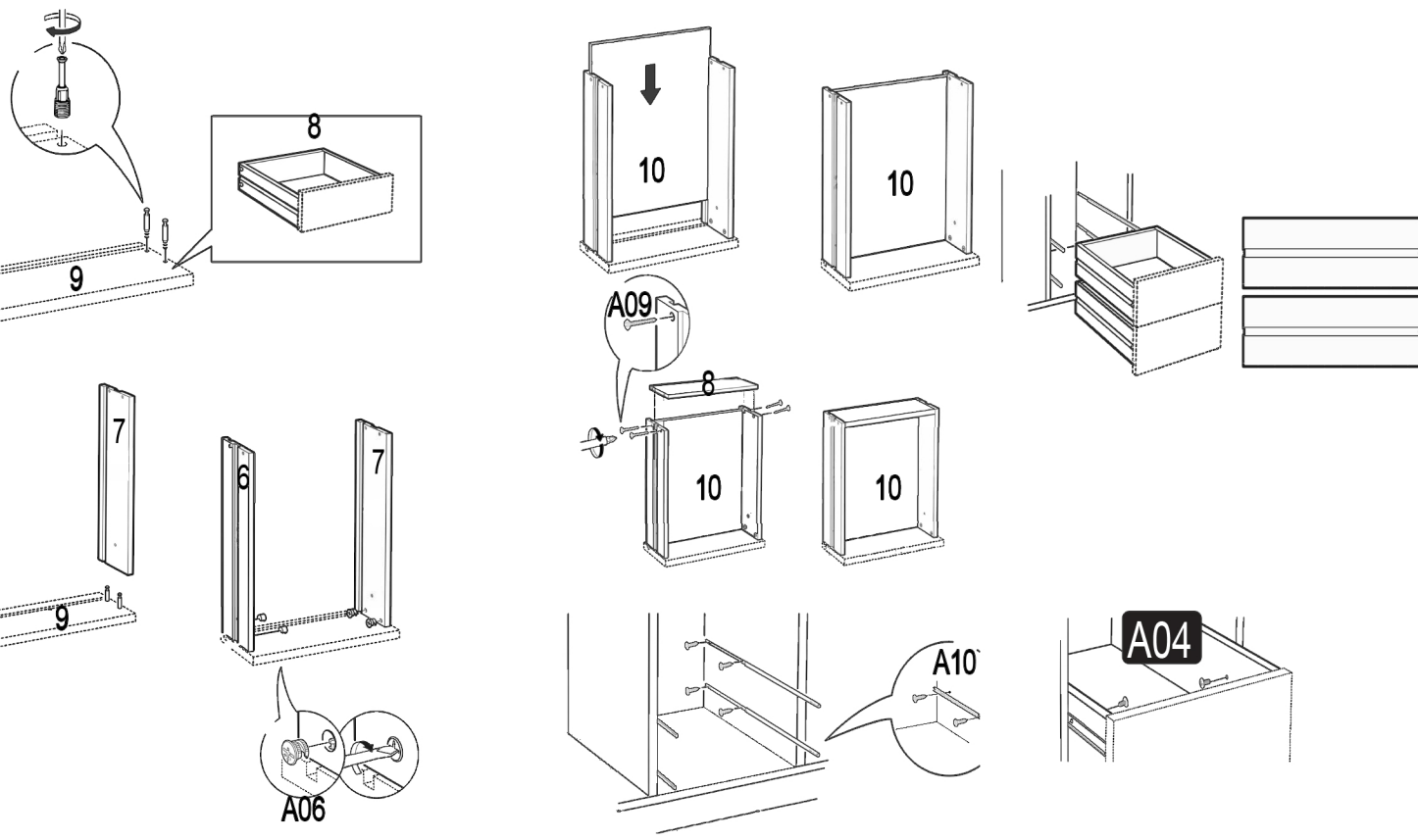
# Vario C



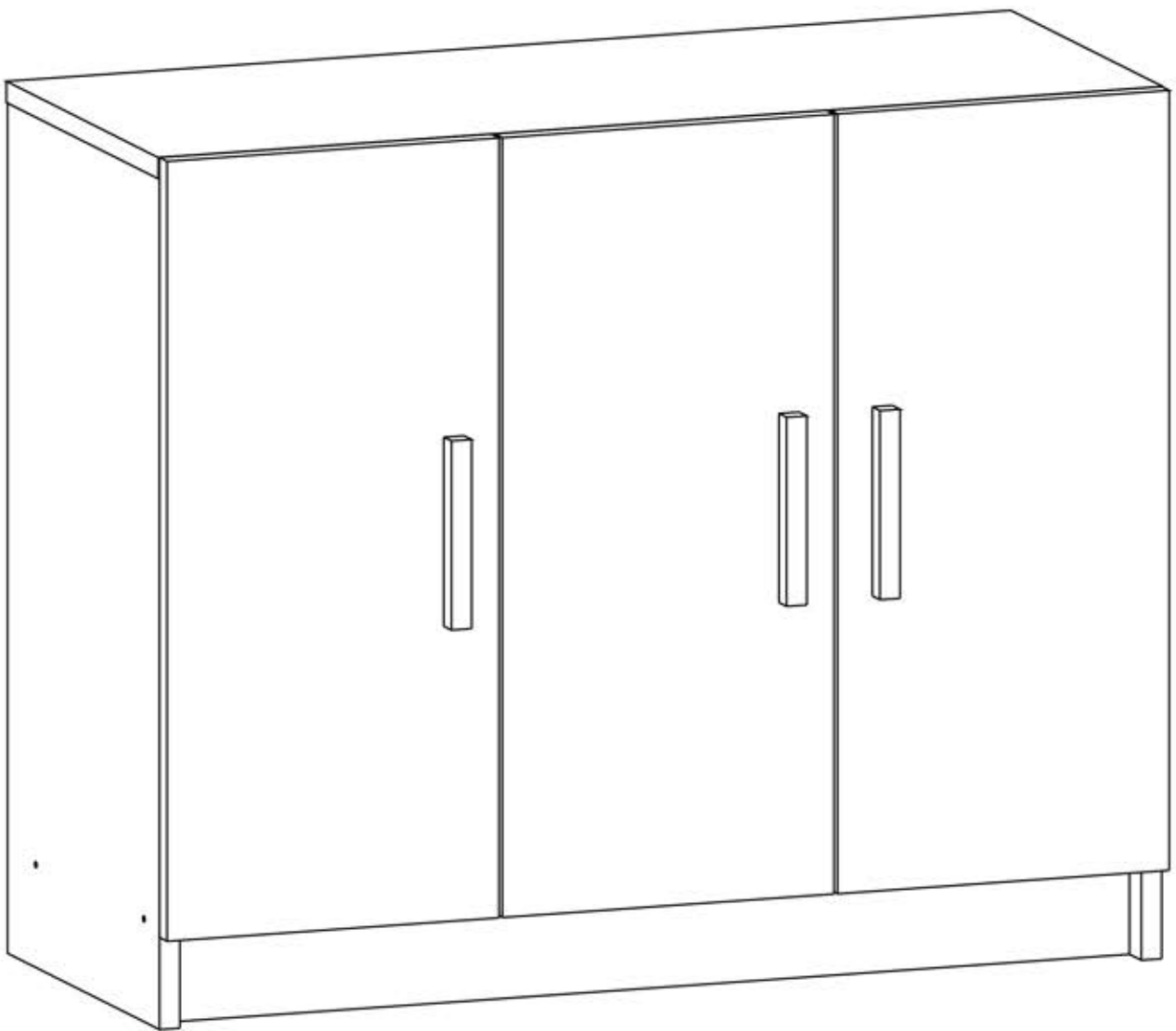
<b>A01</b>  <b>4x</b>	<b>A02</b>  <b>4x</b>	<b>A70</b>  <b>4x</b>	<b>A09</b> 4x50  <b>18x</b>	<b>A10</b> 3,5x18 YHB  <b>14x</b>
<b>A14</b> M4x22  <b>6x</b>	<b>A16</b> COLOUR 1 <b>6x</b> COLOUR 2 <b>x</b> 	<b>A24</b> 96 mm  <b>3x</b>	<b>A28</b>  <b>15x</b>	<b>A59</b> 35 cm Ray  <b>6x</b>
<b>A03</b>  <b>4x</b>	<b>A04</b> 4x10  <b>6x</b>	<b>A05</b>  <b>12x</b>		
<b>A06</b> Mini Minifix  <b>12x</b>				
















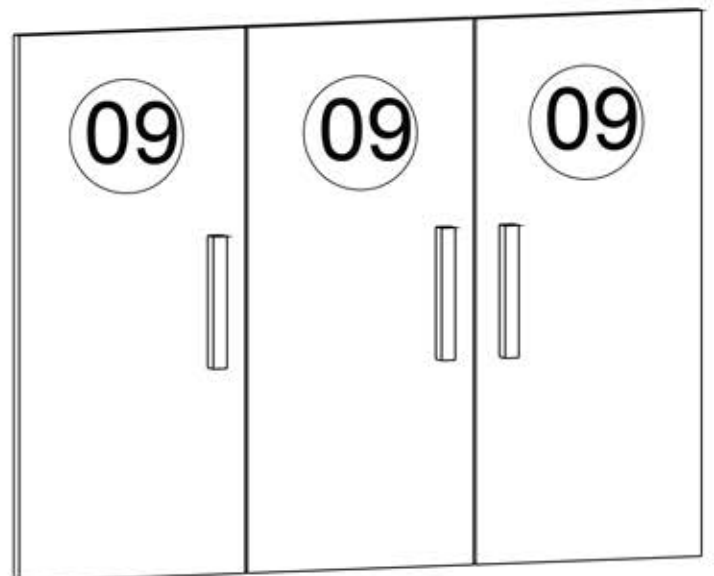
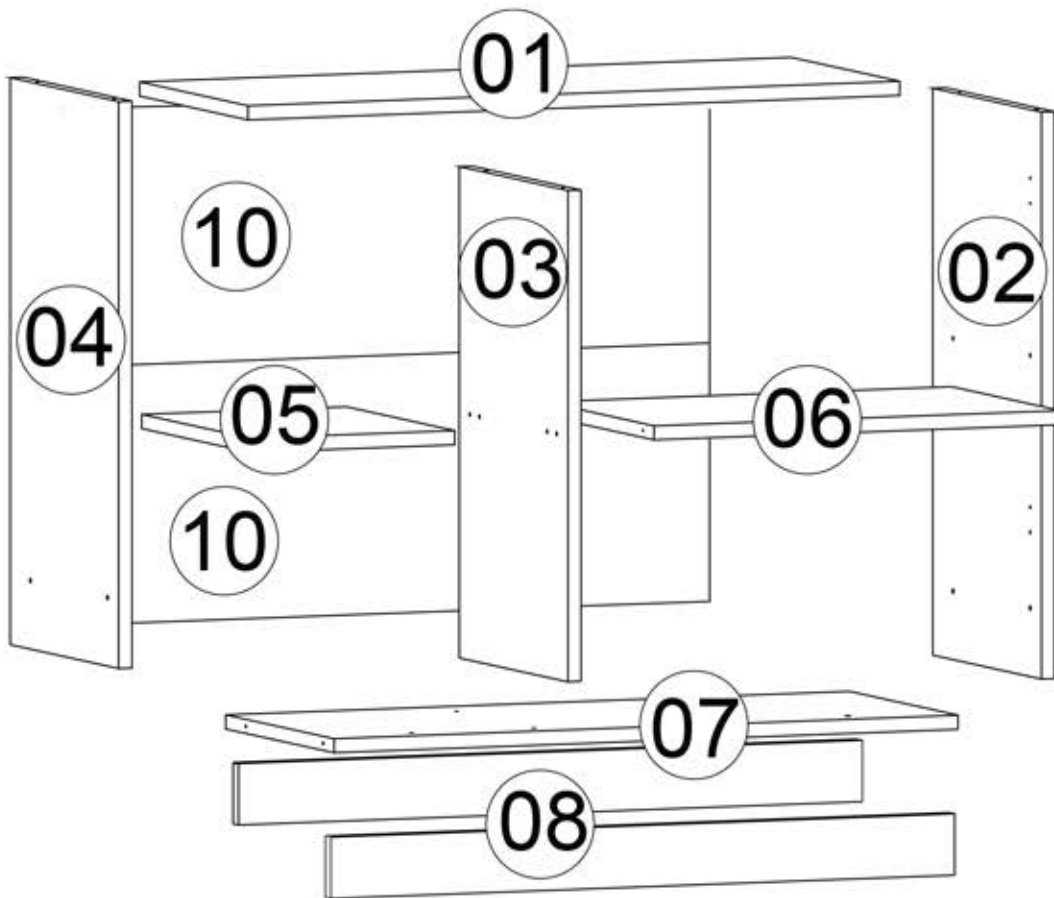




# VO5



 B0501 x6	 B0502 x6	 B0503 x6	 B0504 x6	 B0301 x24
 B0304 x14	 B0307 x6	 B0205 x3	 B0105 x6	 B0101 x6
 B0508 x4	 B0318 x40	 COLOR1 x8 COLOR2 x		

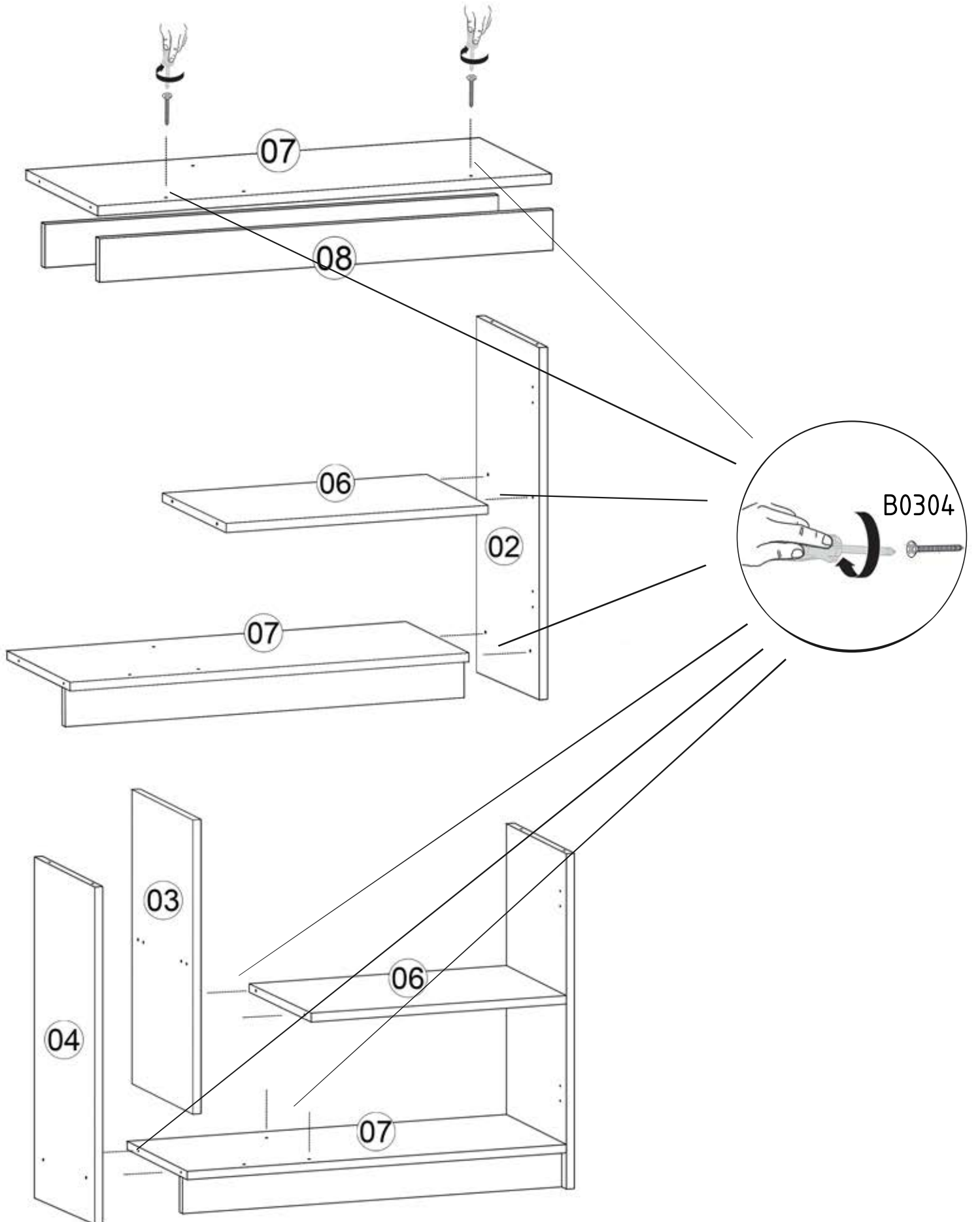




B0304



x14





B0501 B0502 B0503 B0504 B0508



x6



x6



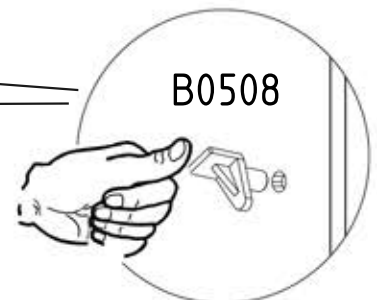
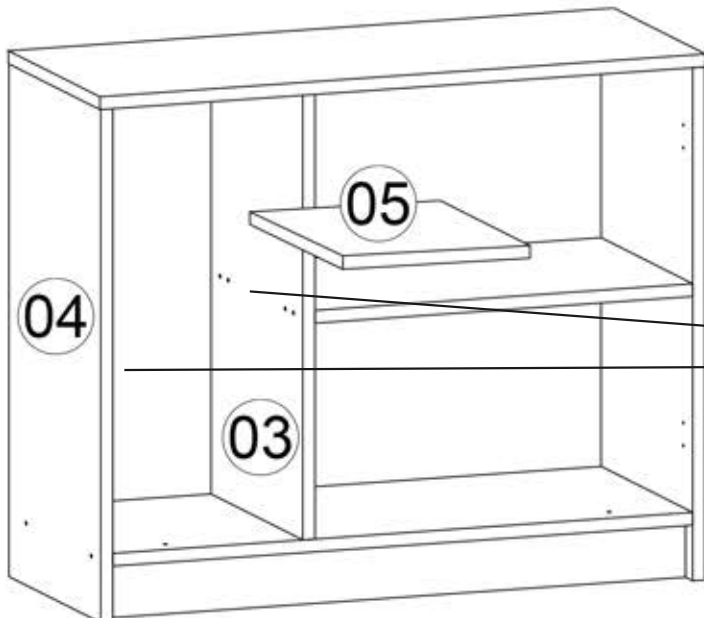
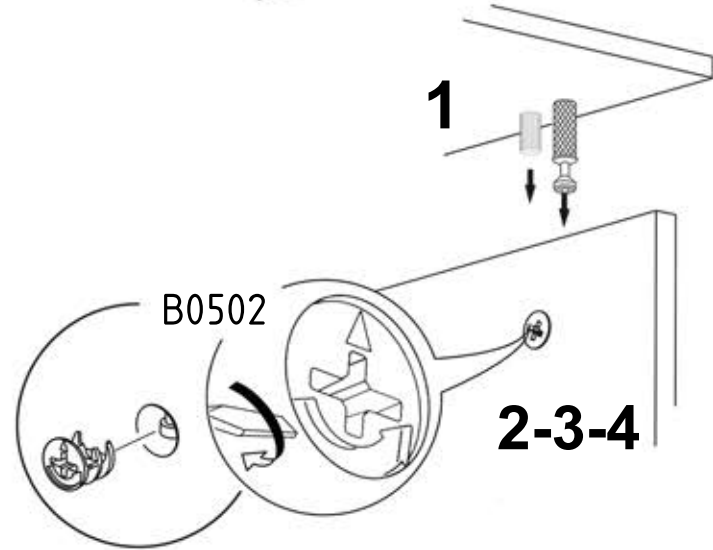
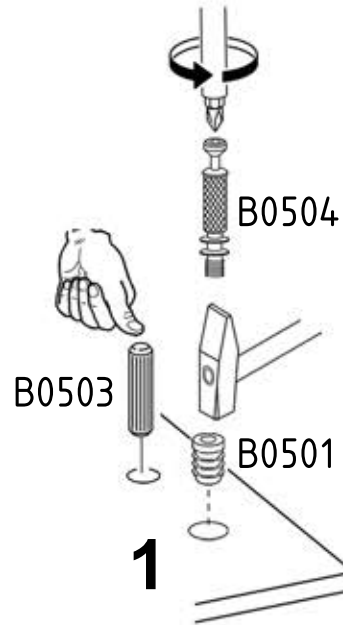
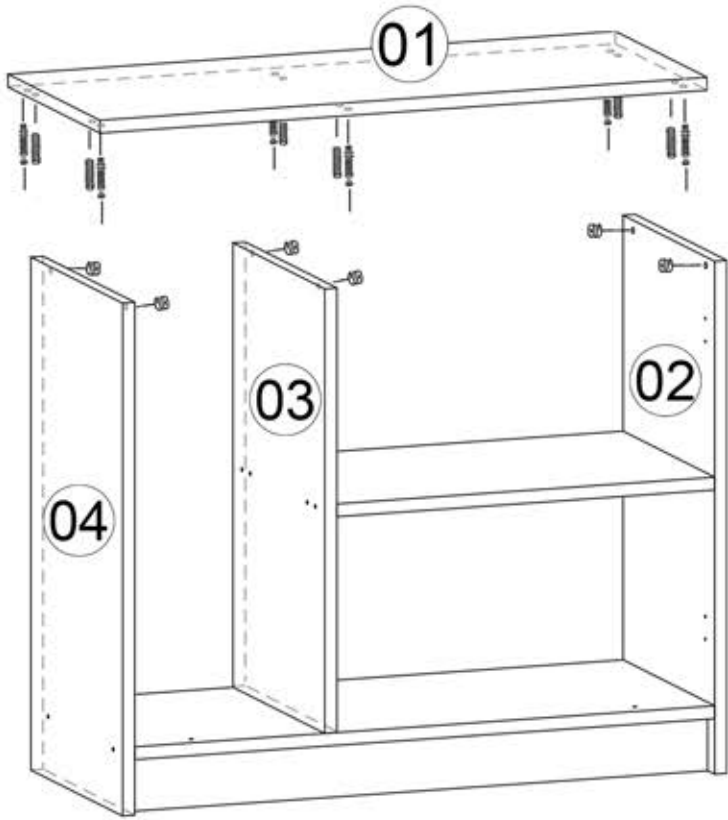
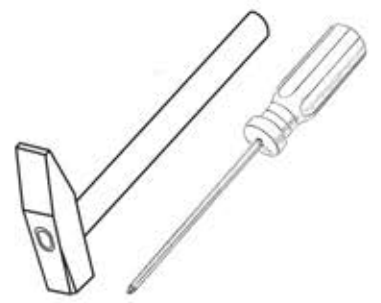
x6



x6



x4







B0301 B0101 B0105 B0307 B0205 B0318



x24



x6



x6



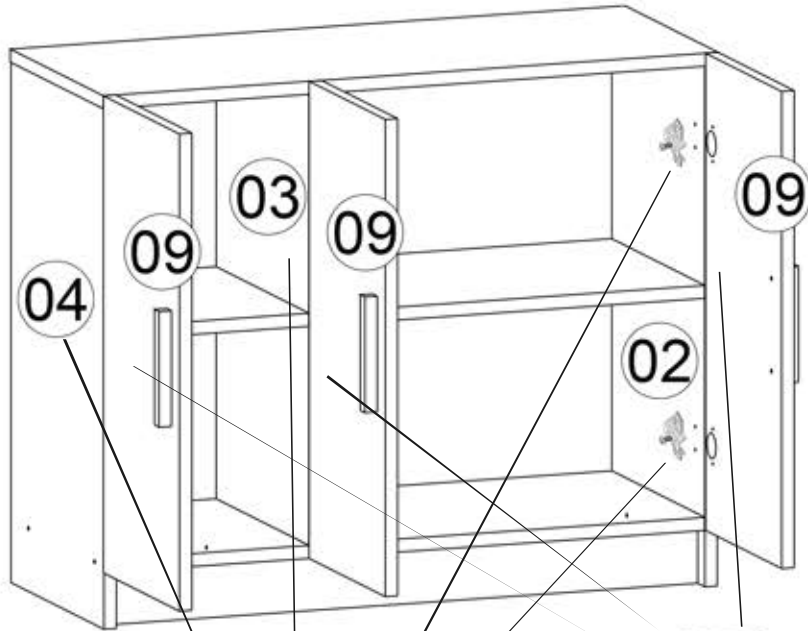
x6



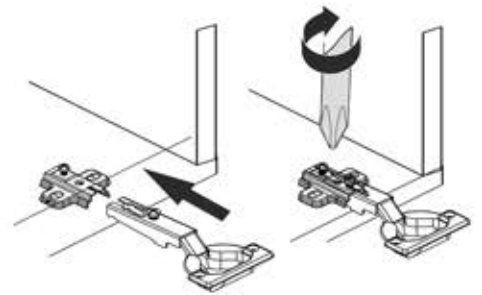
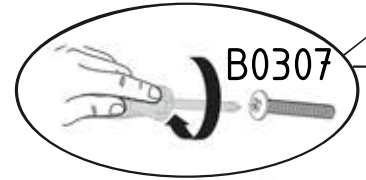
x3



x40



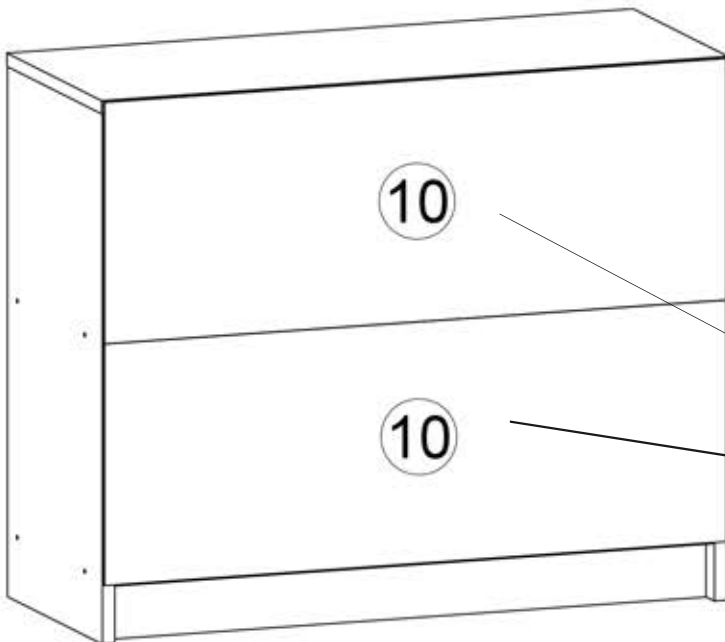
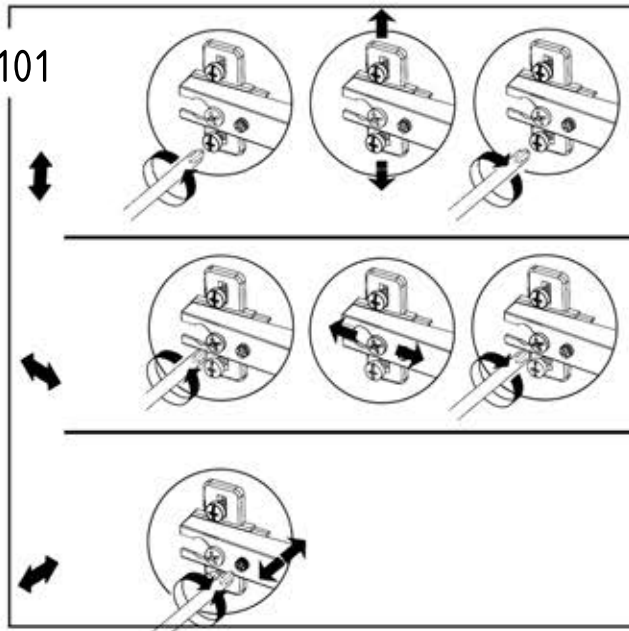
B0205 9



B0105  
B0301



B0301  
B0101



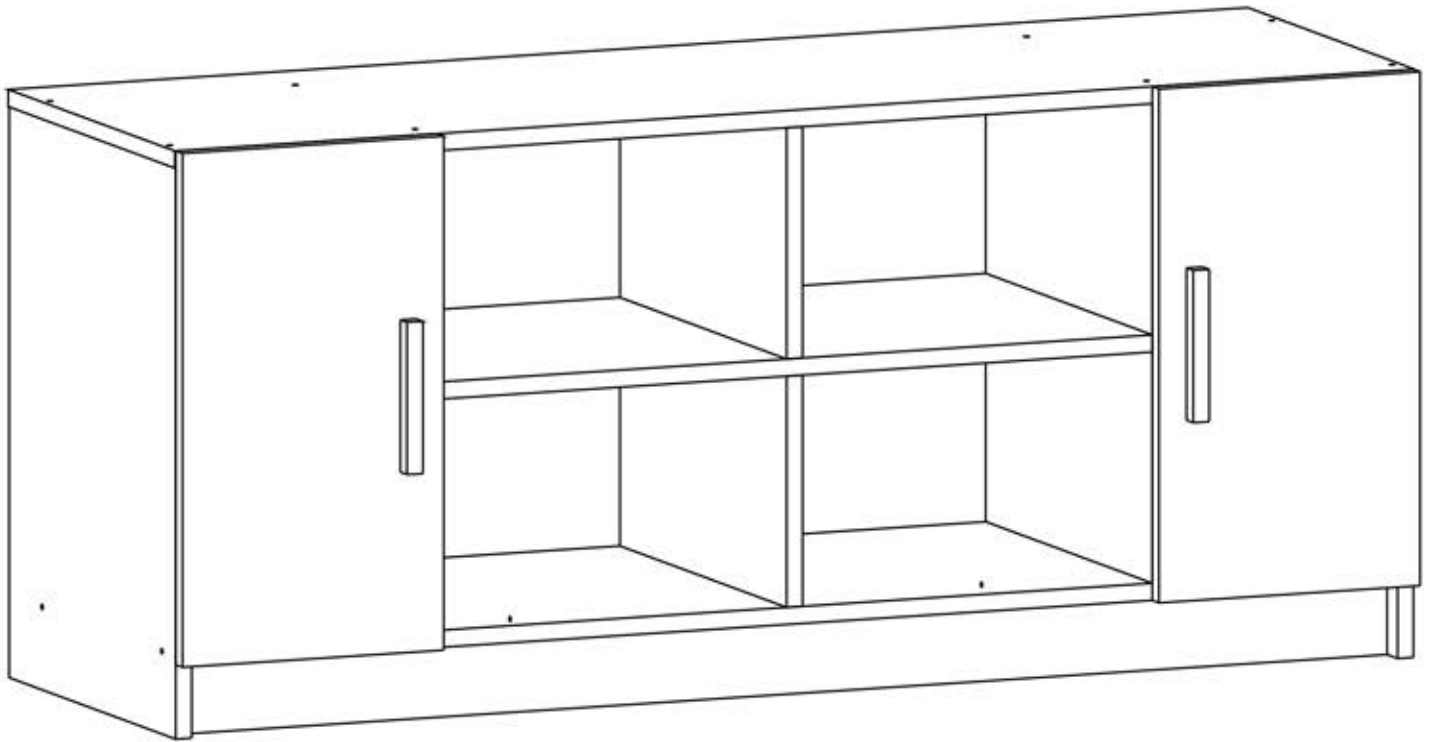
10












10

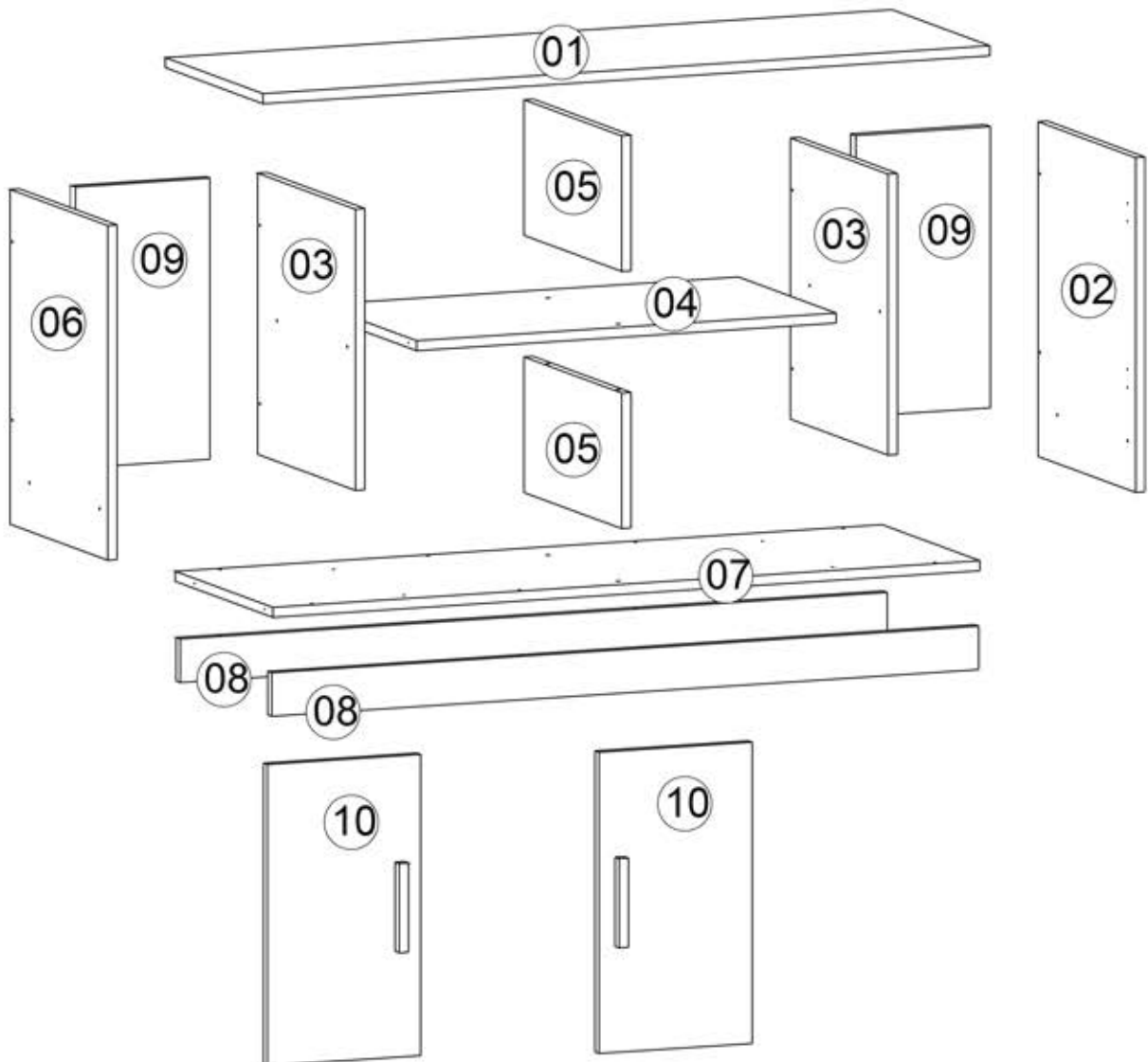
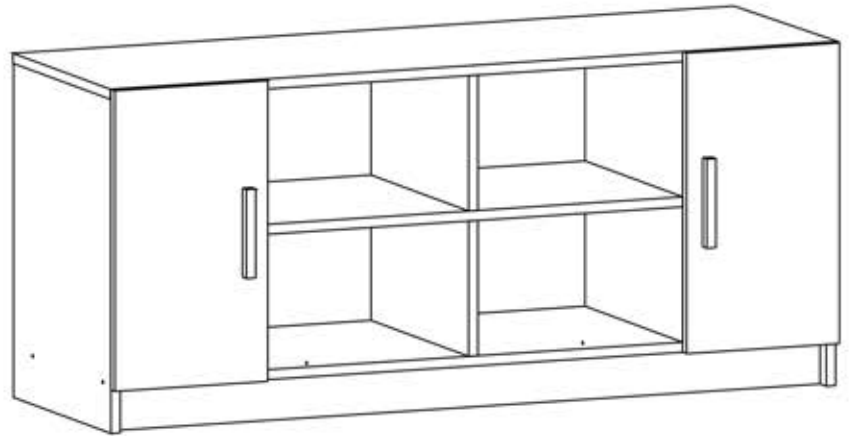


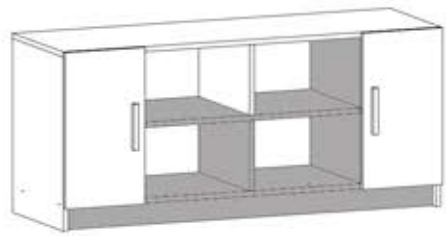
B0318

# VO6



 B0501 x8	 B0502 x8	 B0503 x16	 B0504 x8	 B0301 x16
 B0304 x28	 B0307 x4	 B0205 x2	 B0105 x4	 B0101 x4
 COLOR1 x8 COLOR2 x				





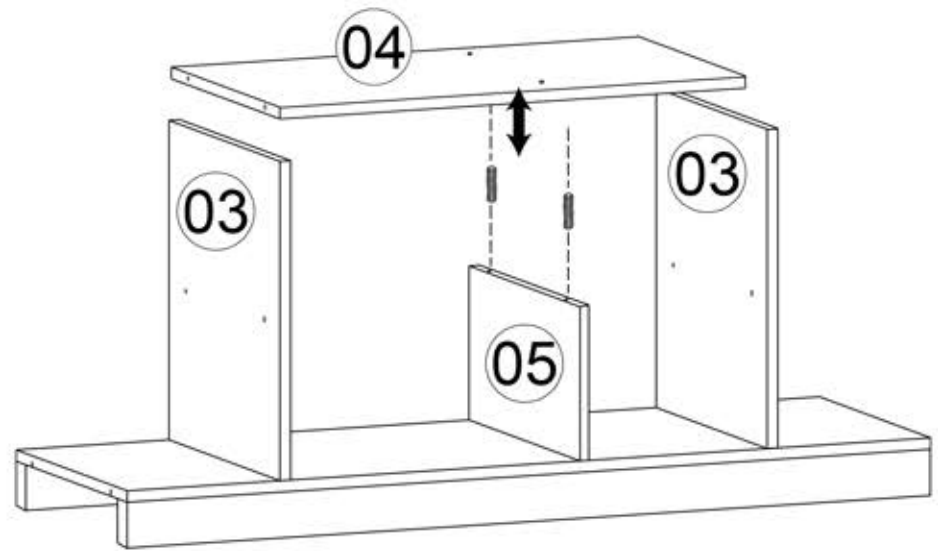
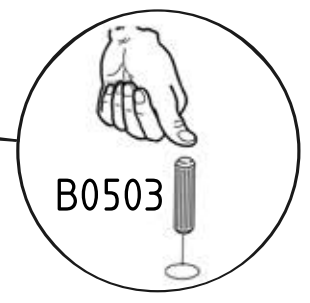
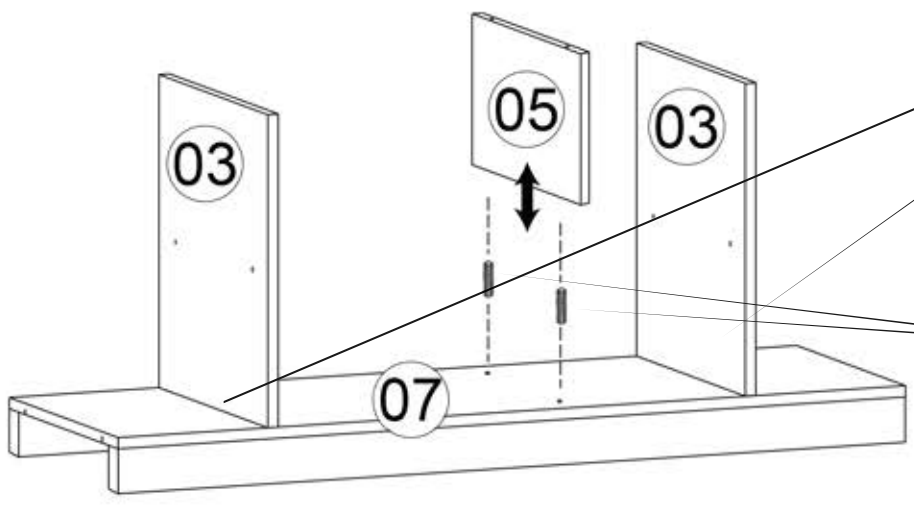
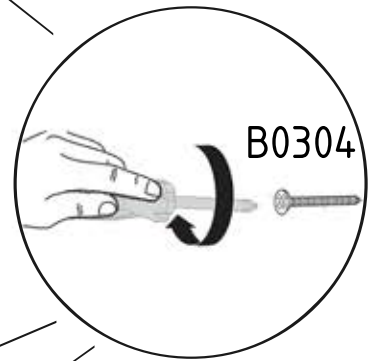
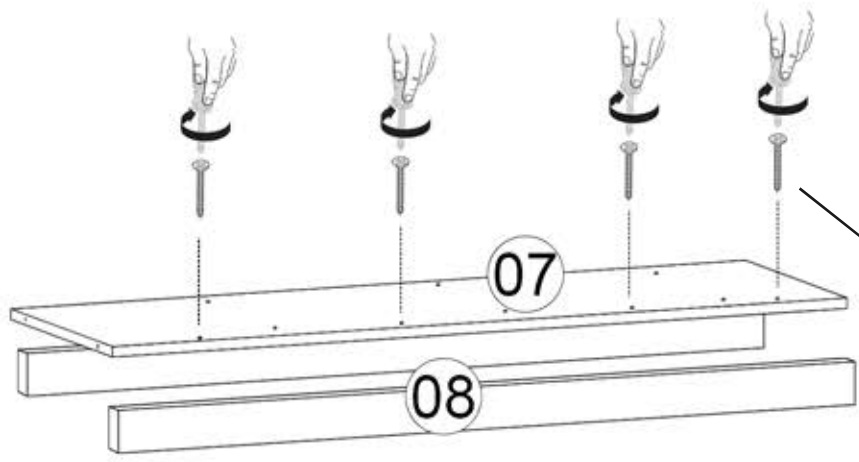
B0304 B0503

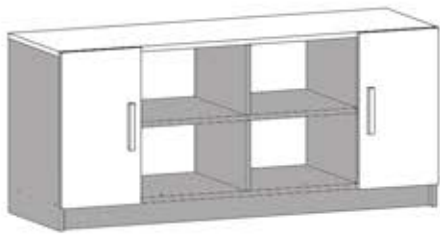


x16



x4





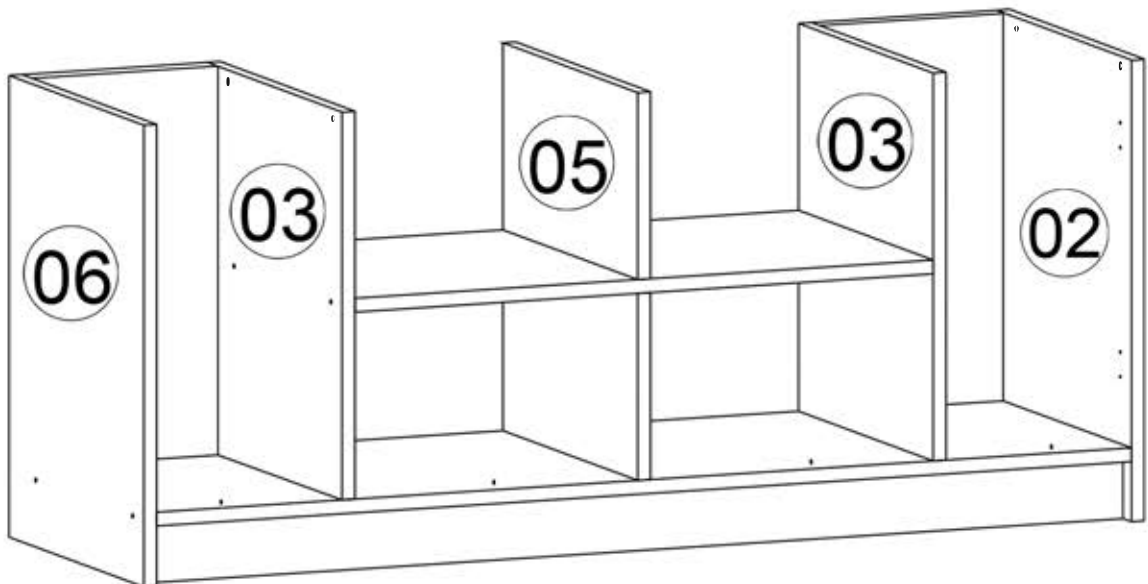
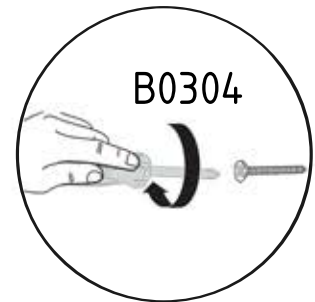
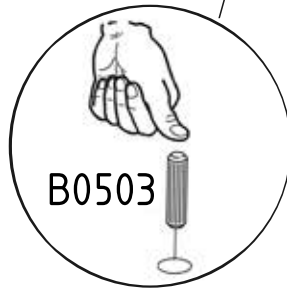
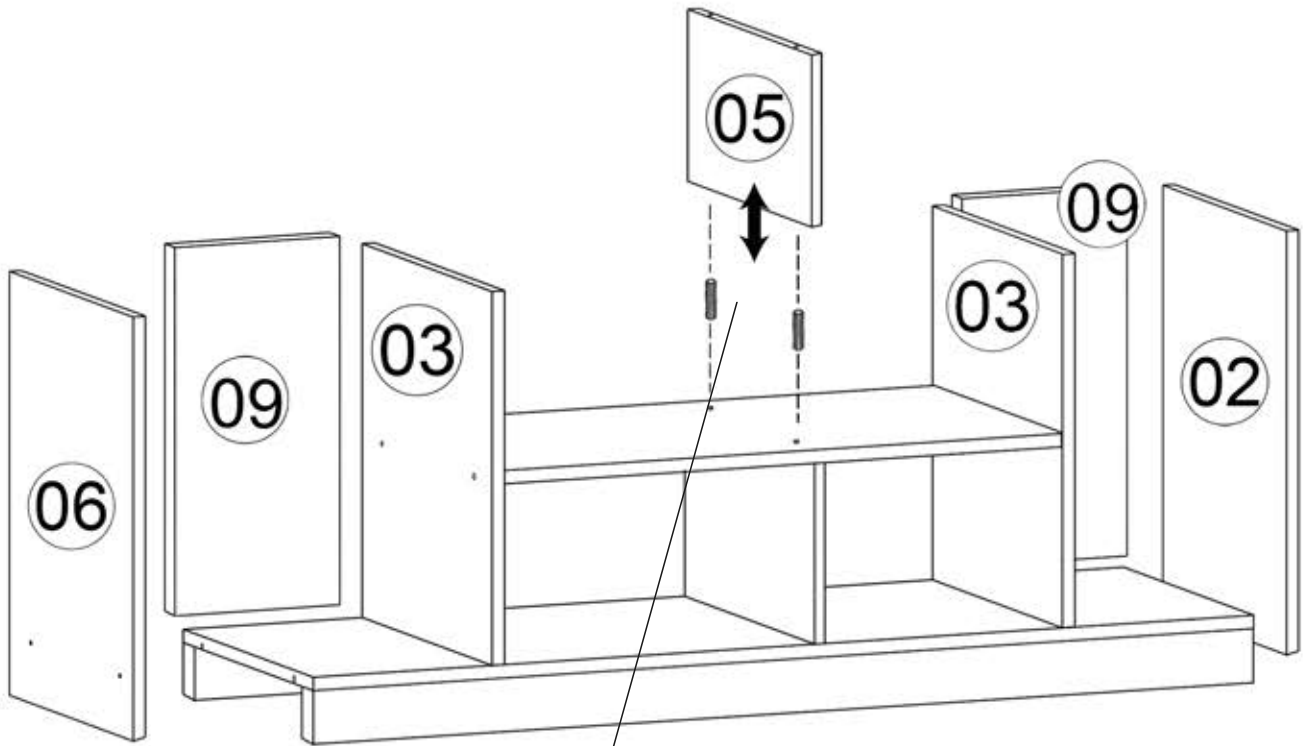
B0304

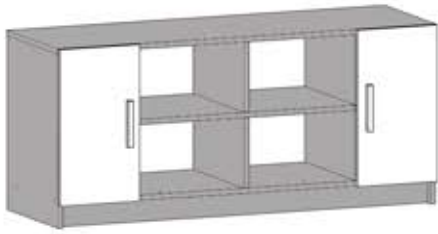
B0503



x12

x2





B0501 B0502 B0503 B0504

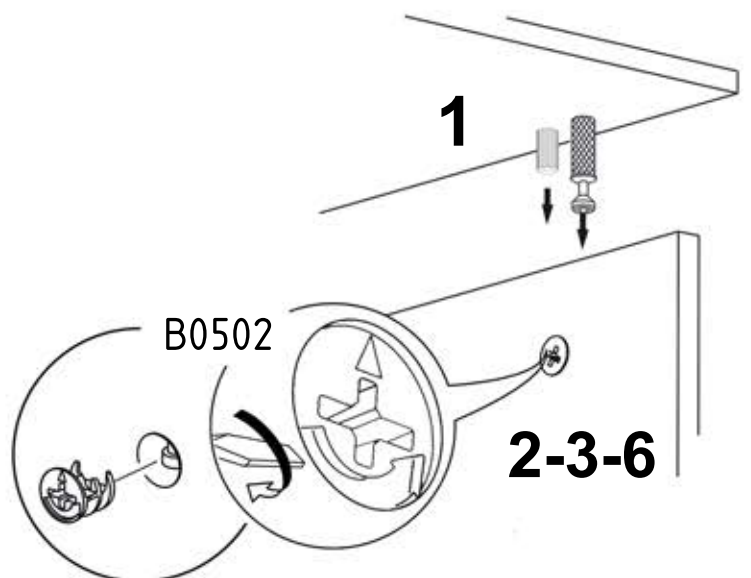
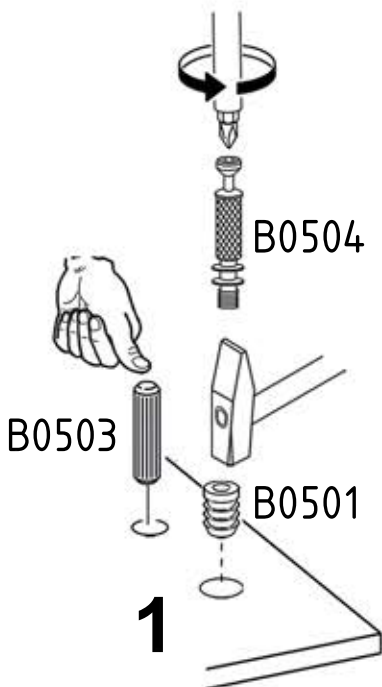
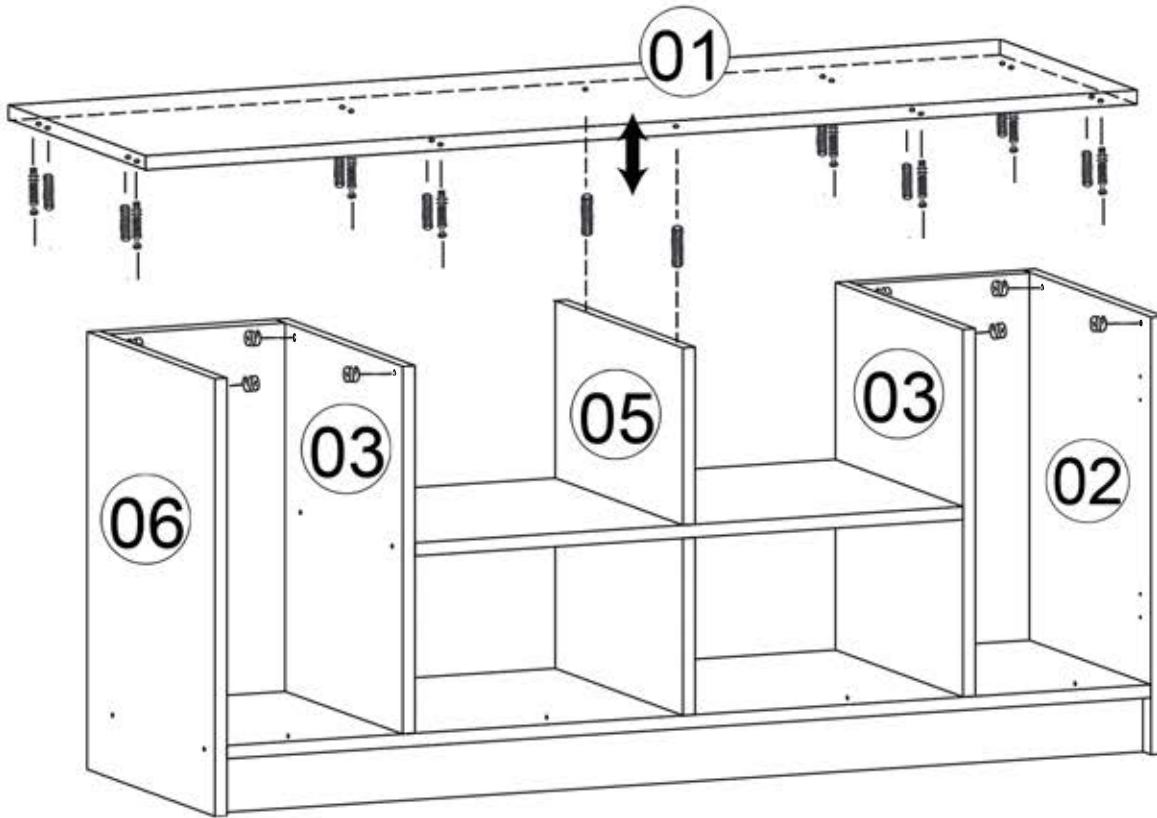
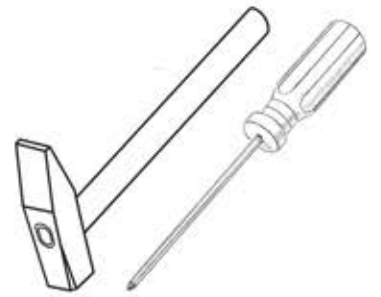


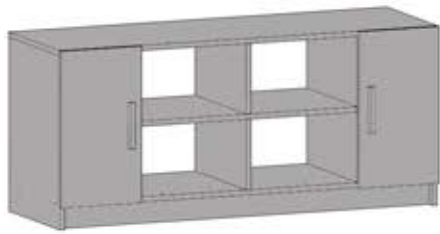
x8

x8

x10

x8

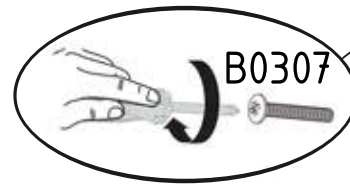




B0301 B0101 B0105 B0307 B0205

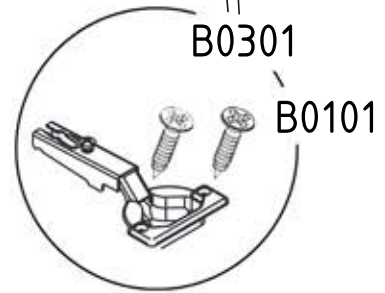
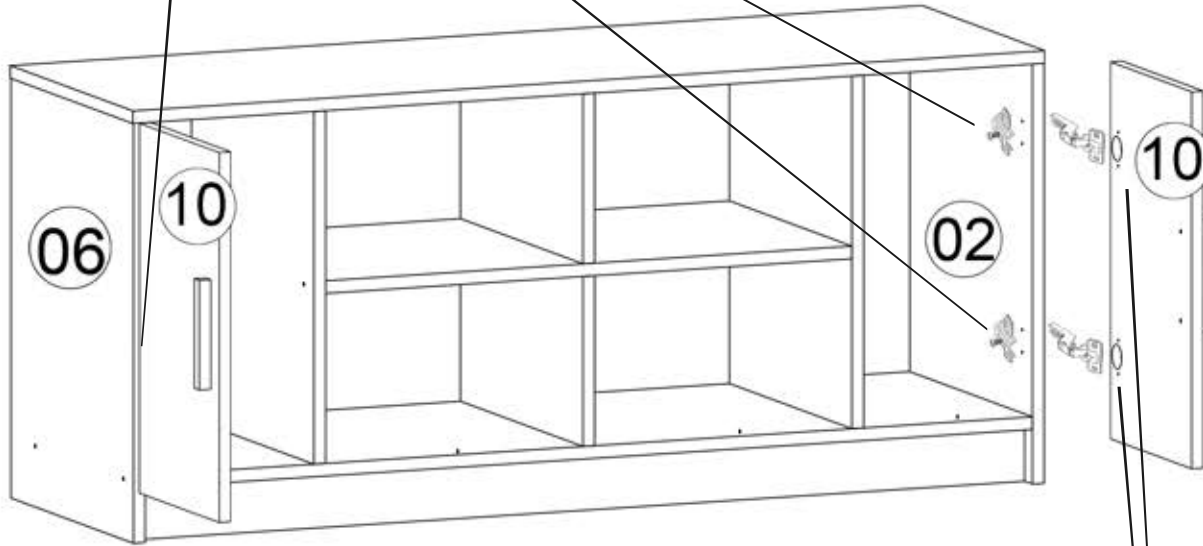


x16 x4 x4 x4 x2



10

B0205



B0301

B0101

