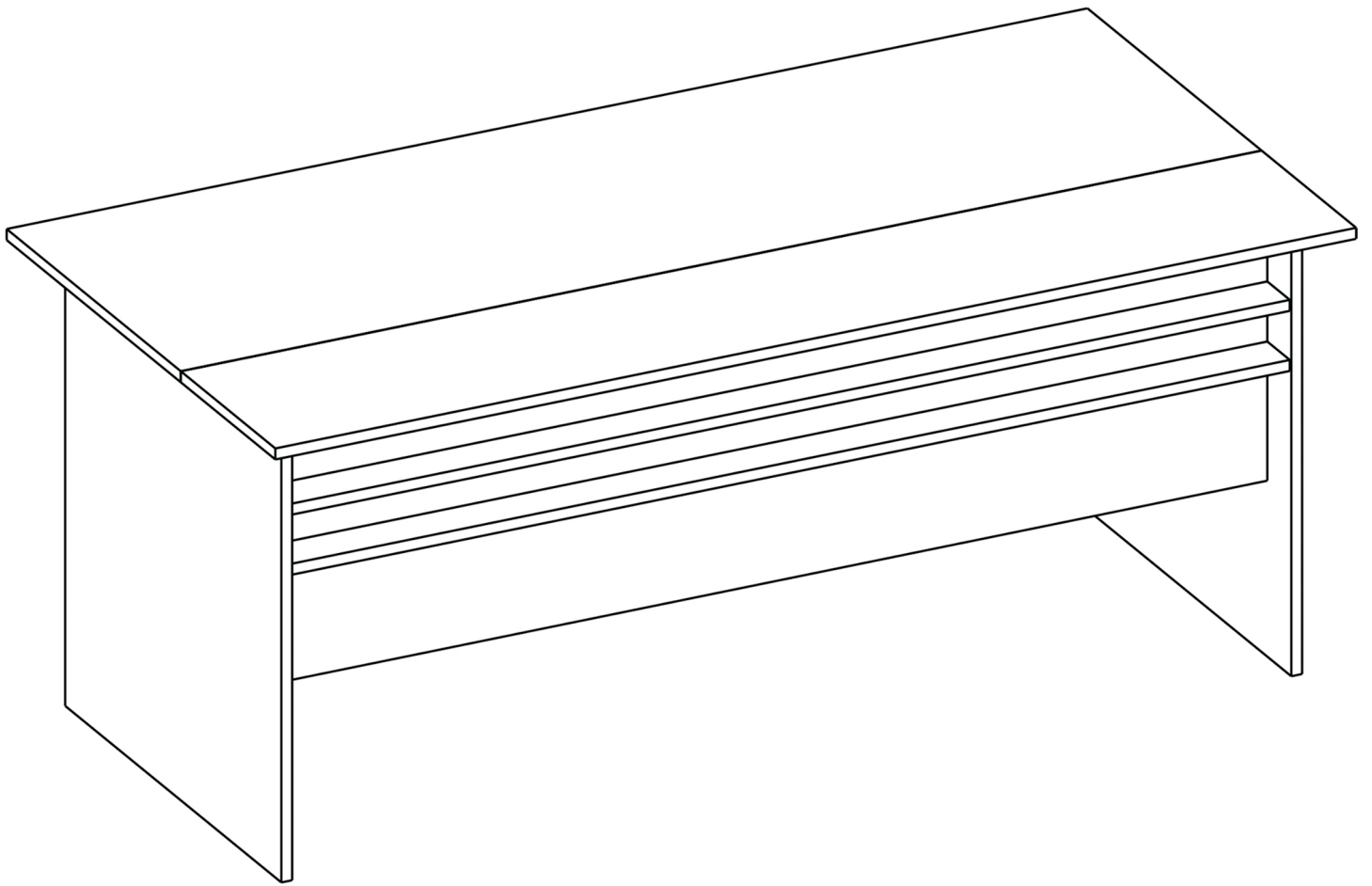


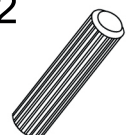

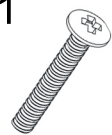


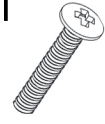
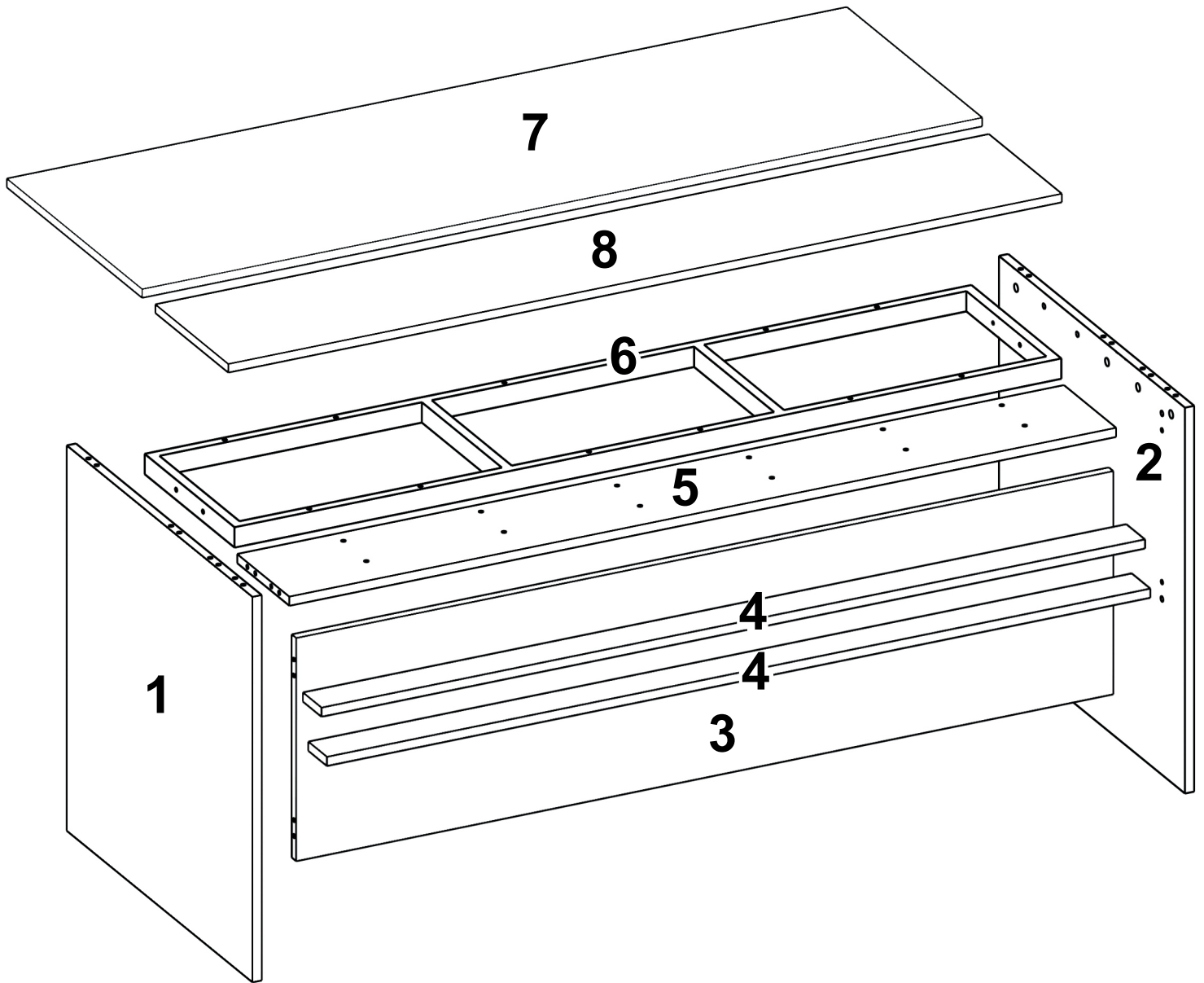
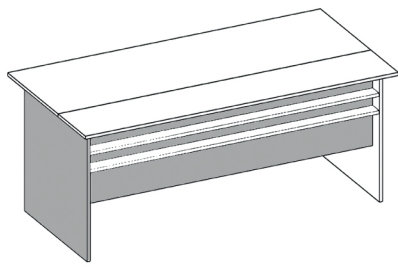


VS1-CGA



2  B0501 x33	2  B0502 x13	2  B0503 x13	2  B0504 x13	1  B0329 x12
1  B0304 x15	1  B0303 x13	1  B0327 x4		





B0502 B0501 B0503 B0504

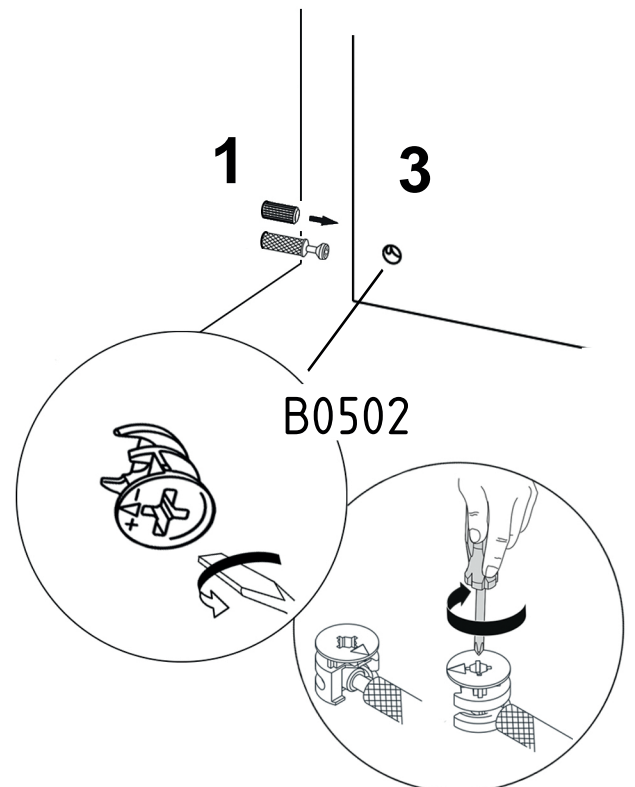
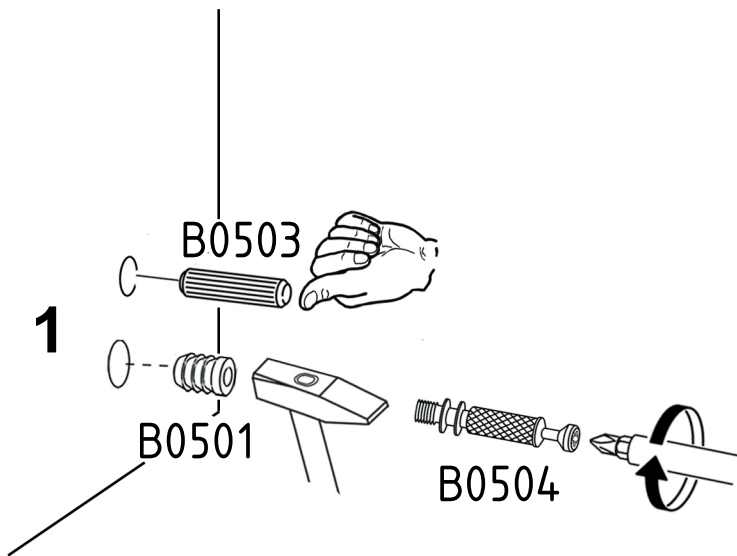
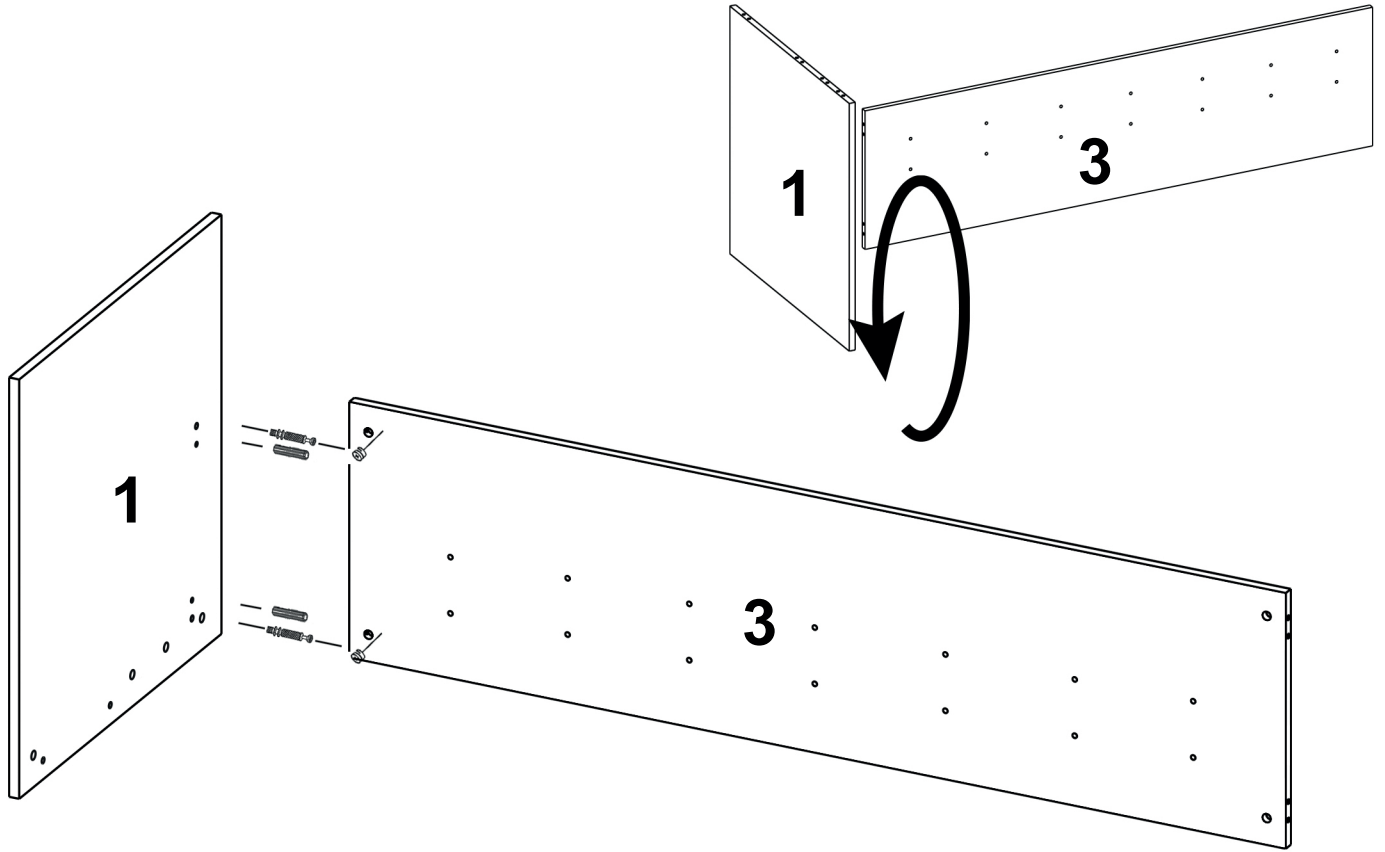
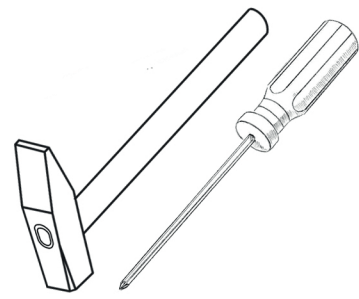


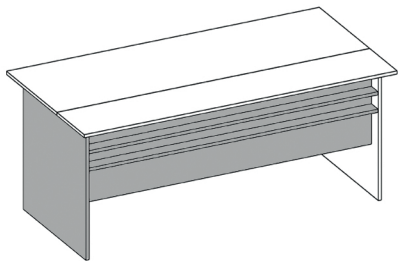
x2

x2

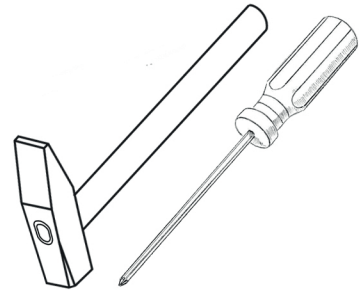
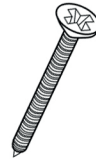
x2

x2





B0502 B0501 B0503 B0504 B0304



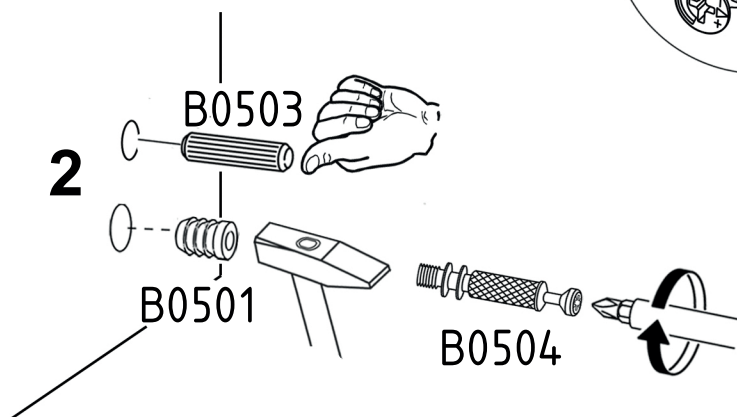
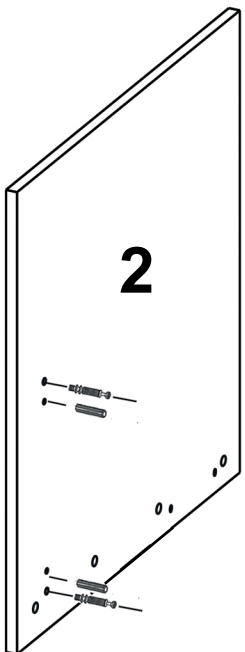
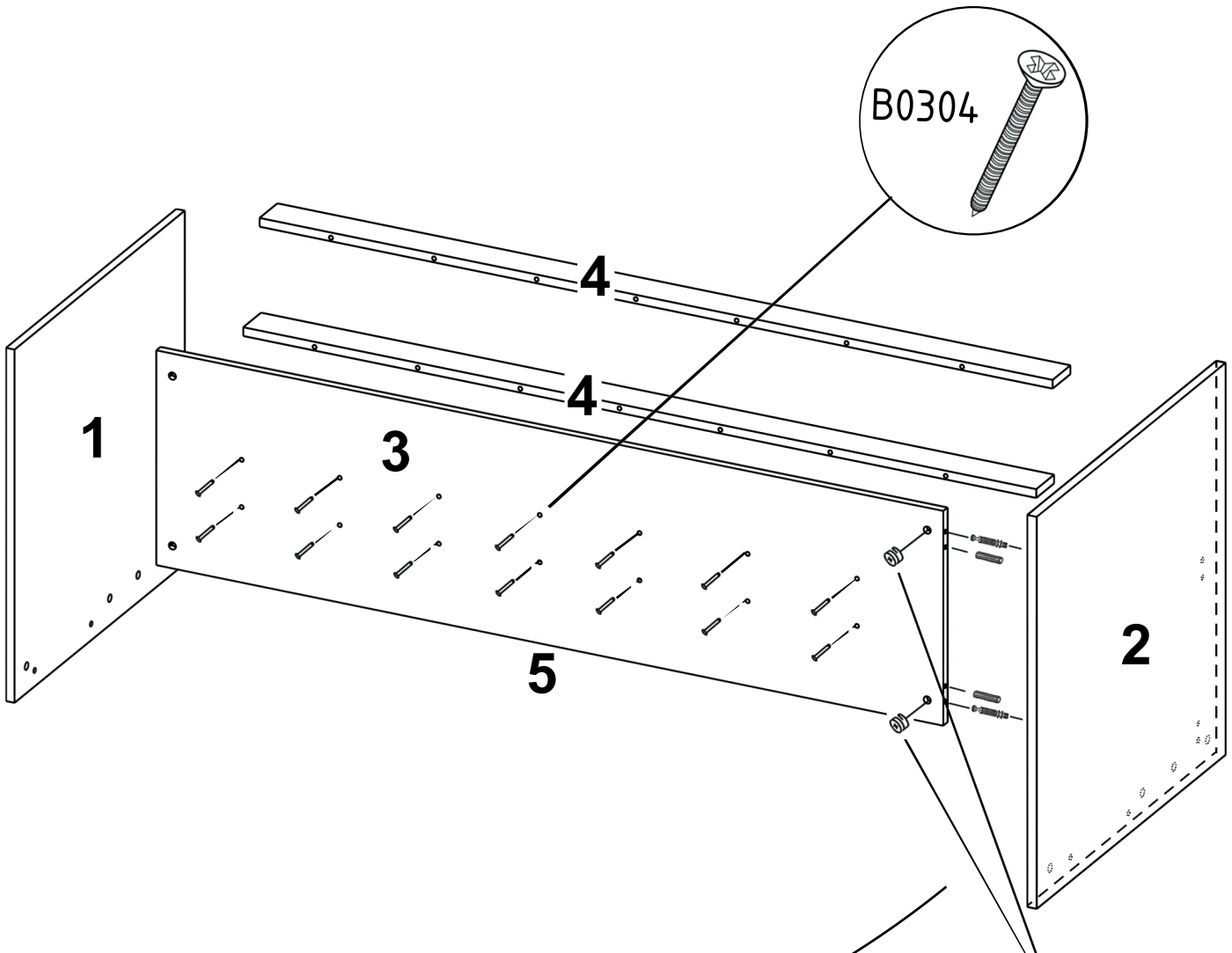
x2

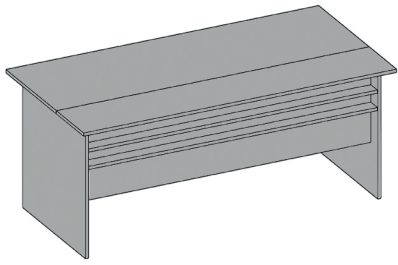
x2

x2

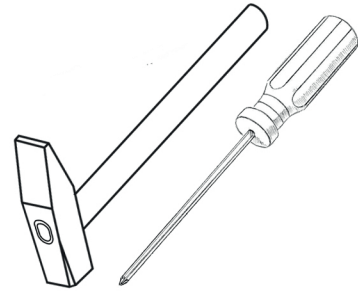
x2

x14





B0502 B0501 B0503 B0504

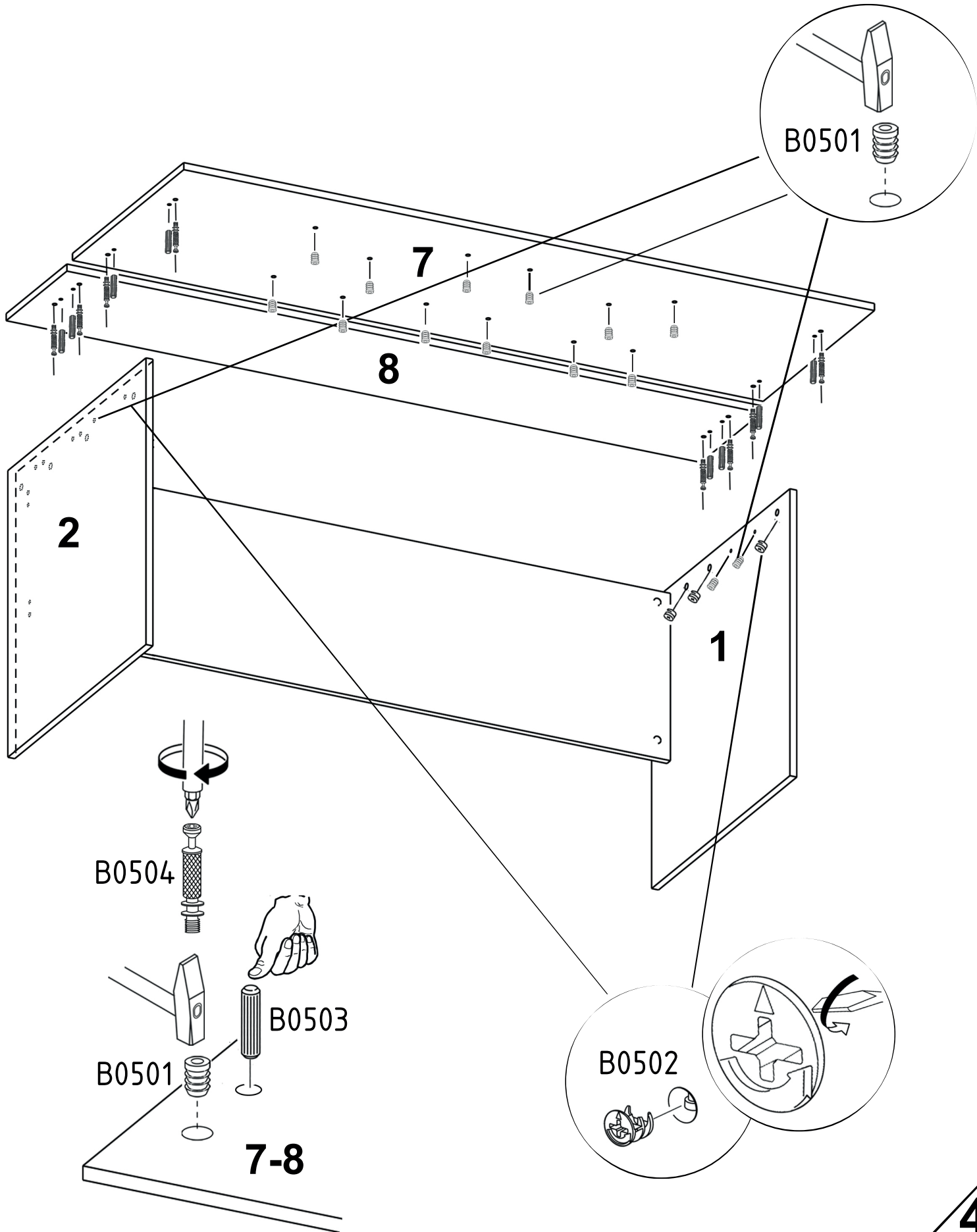


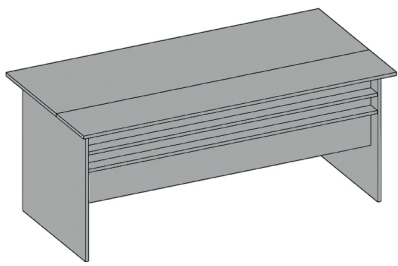
x8

x32

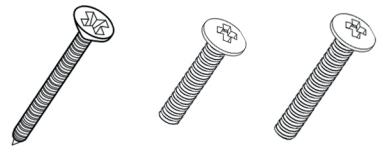
x8

x8

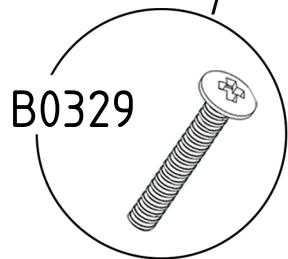
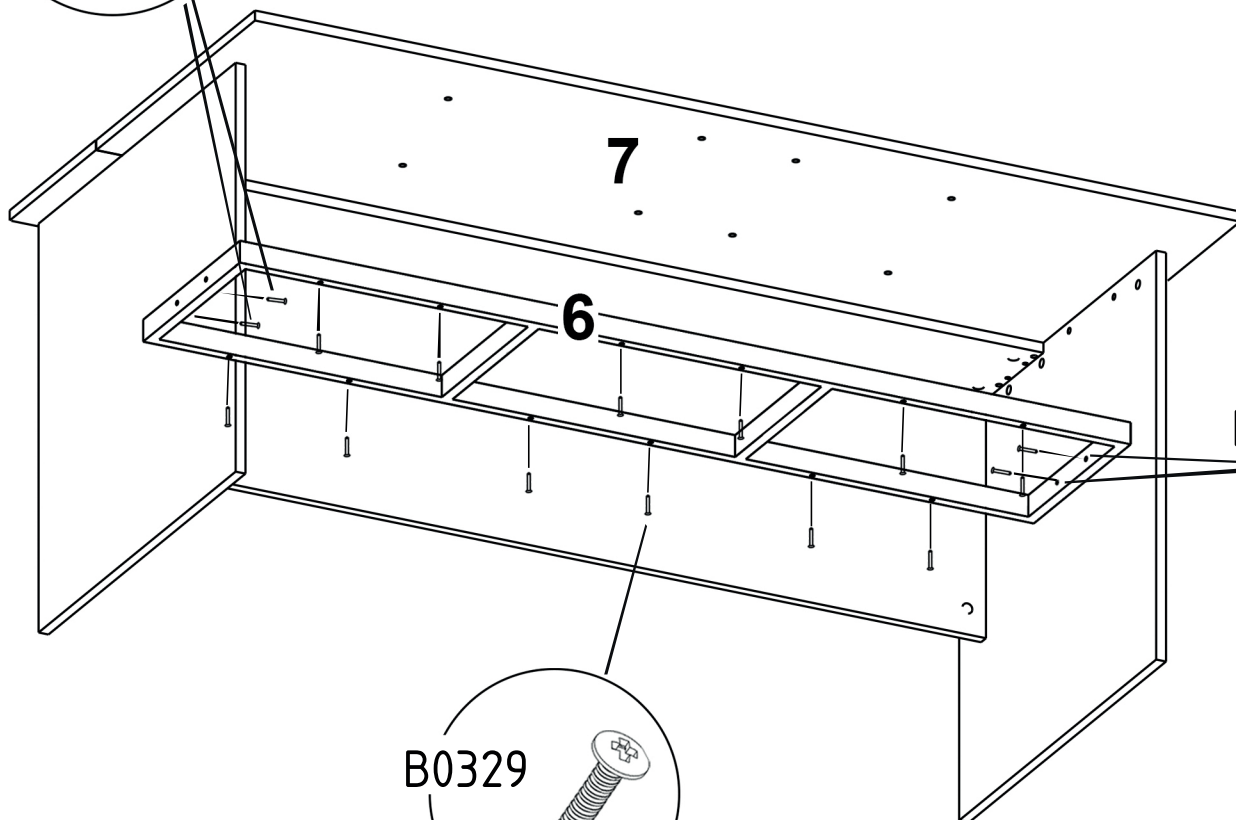
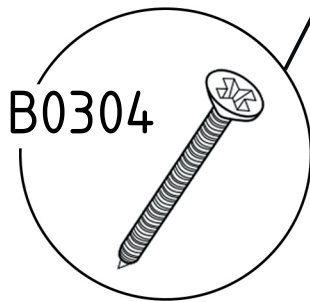
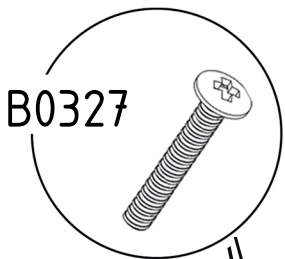
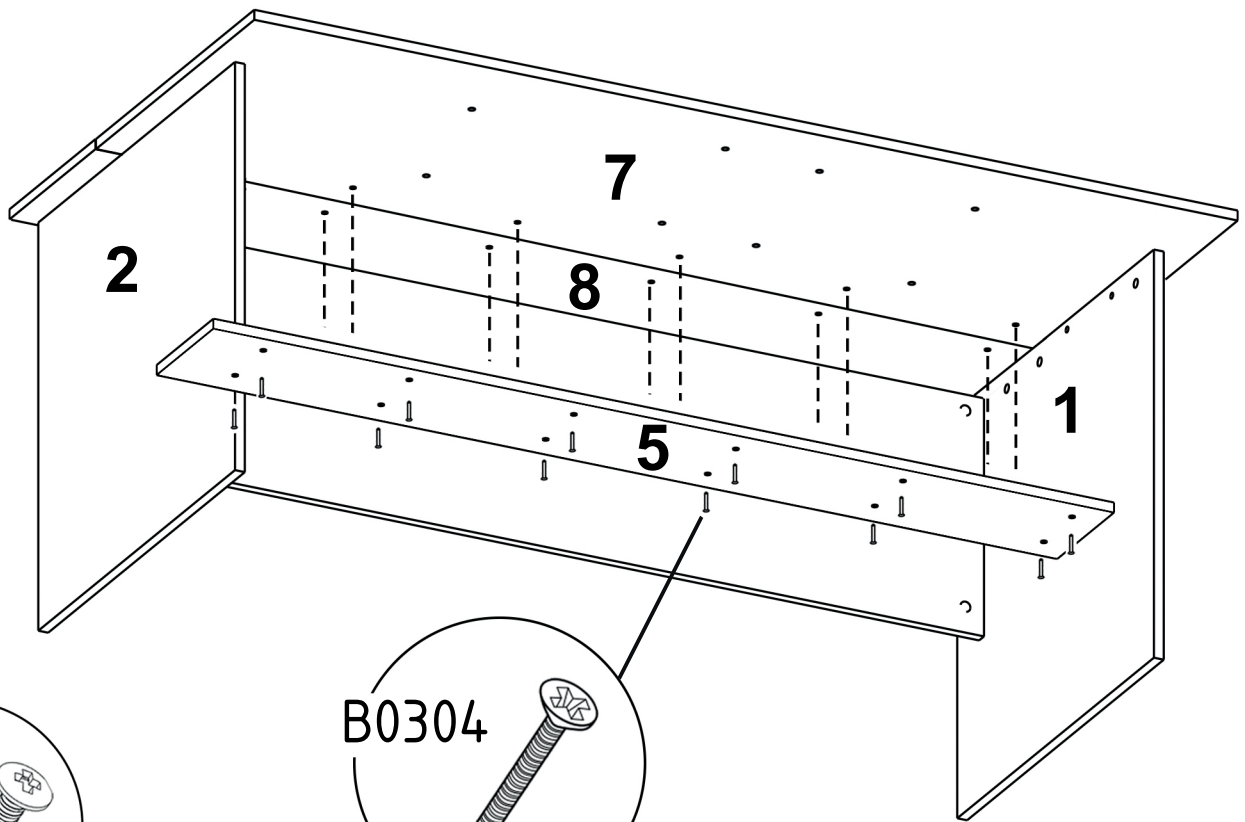
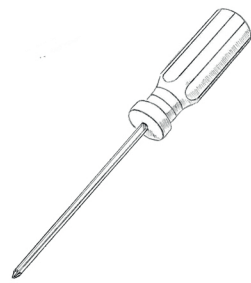




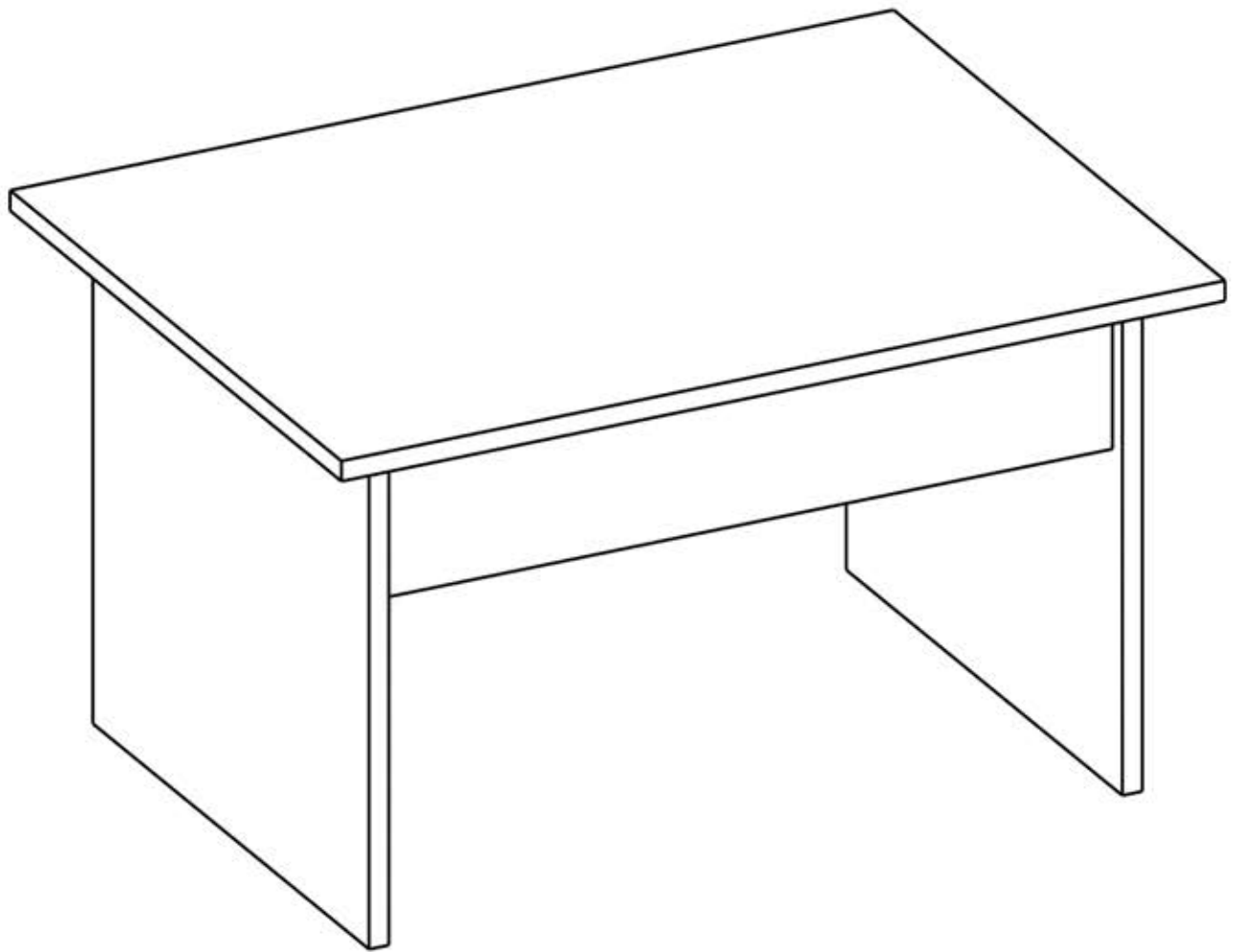
B0304 B0327 B0329







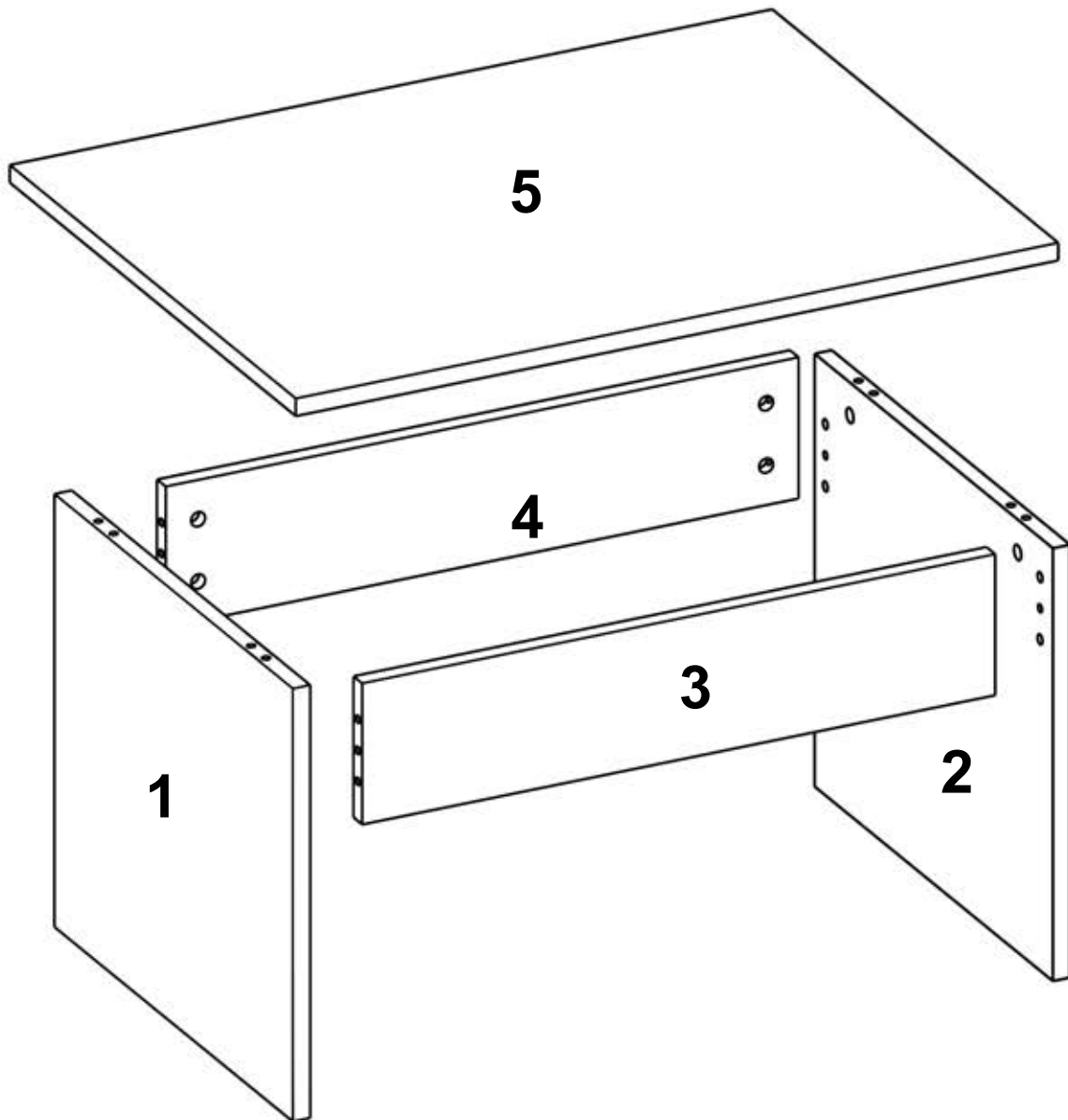
x14 x4 x12

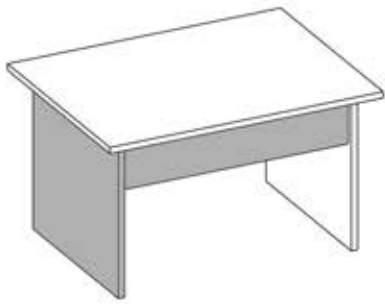


VS2-CGA



1		B0501 x12	1		B0502 x12	1		B0503 x8	1		B0504 x12
---	--	--------------	---	--	--------------	---	--	-------------	---	---	--------------





B0502 B0501 B0503 B0504

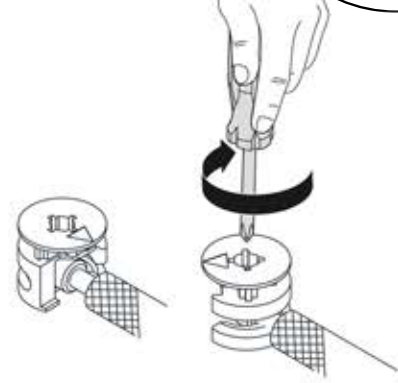
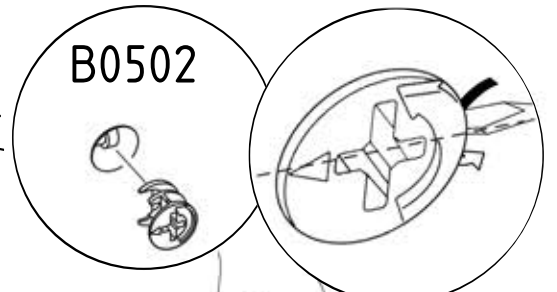
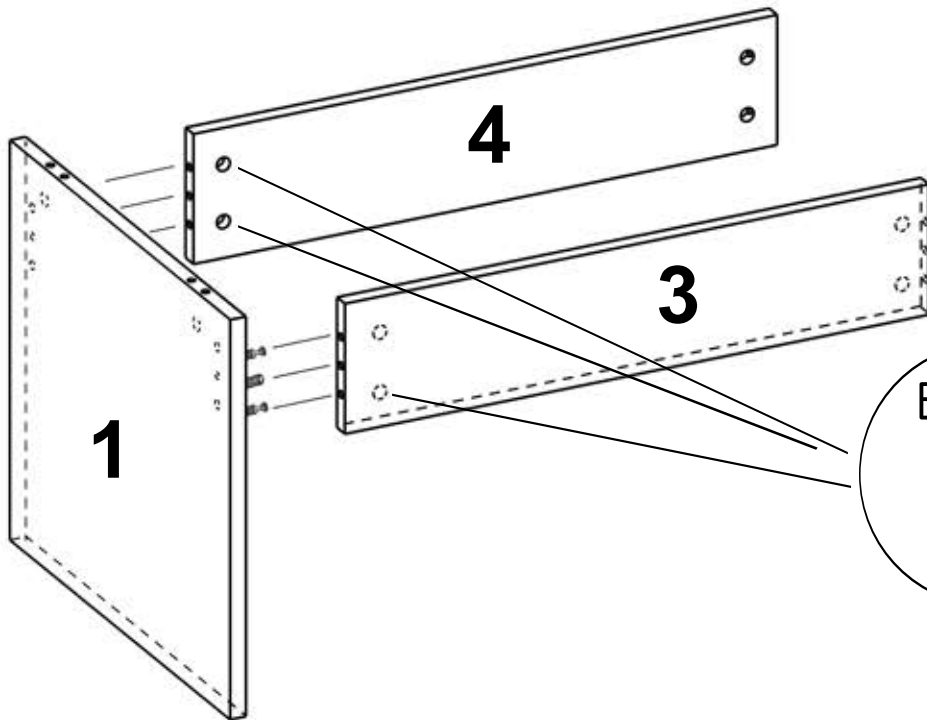
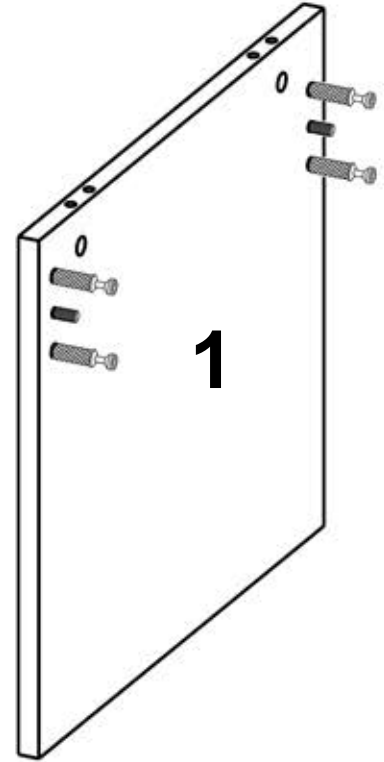
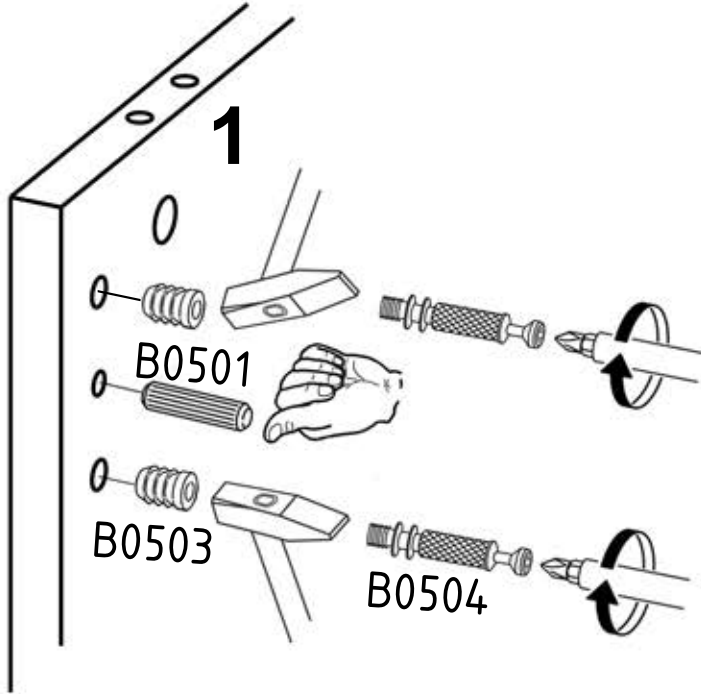
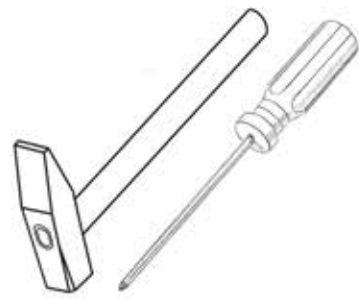


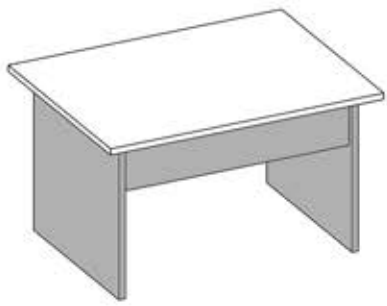
x4

x4

x2

x4





B0502 B0501 B0503 B0504

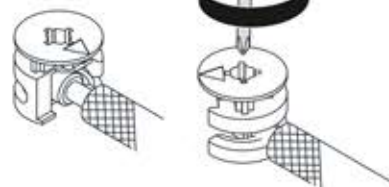
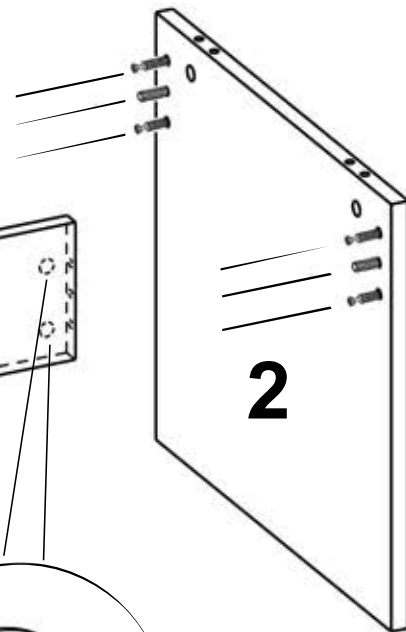
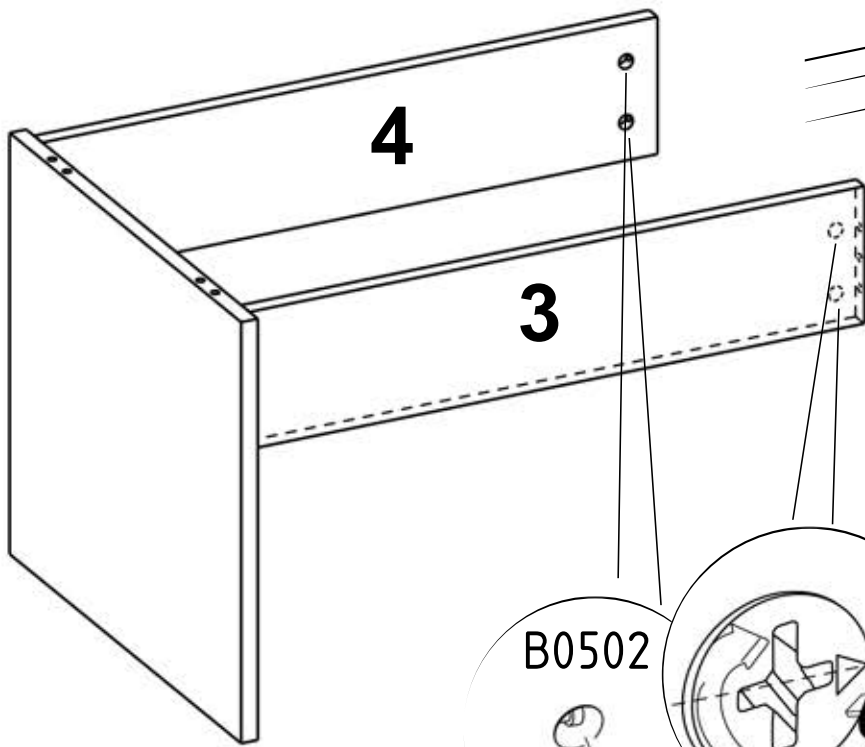
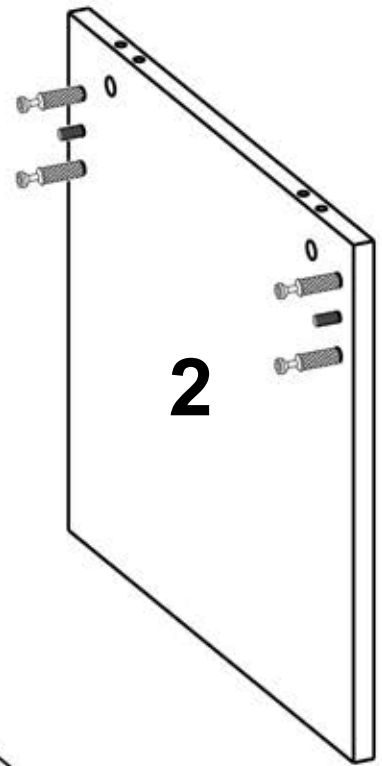
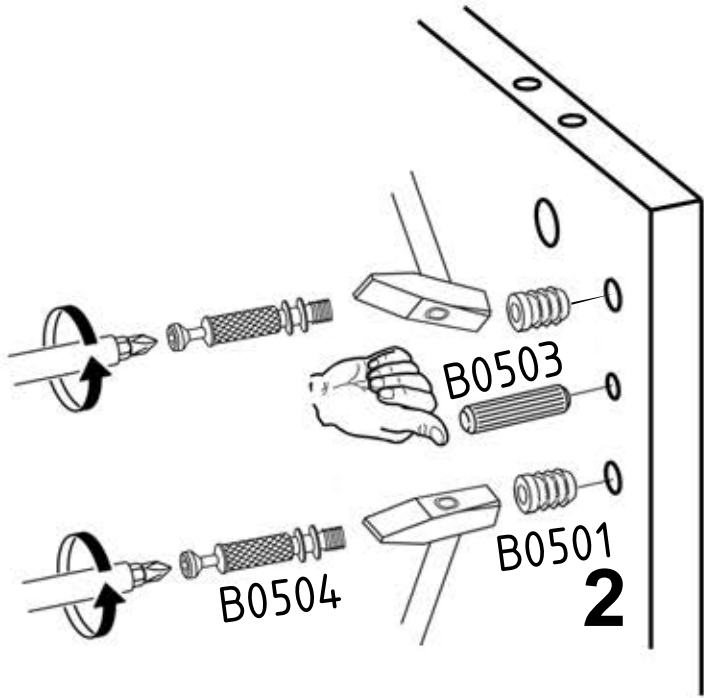


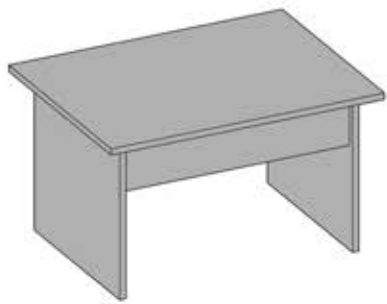
x4

x4

x2

x4





B0502 B0501 B0503 B0504



x4 x4 x4 x4

