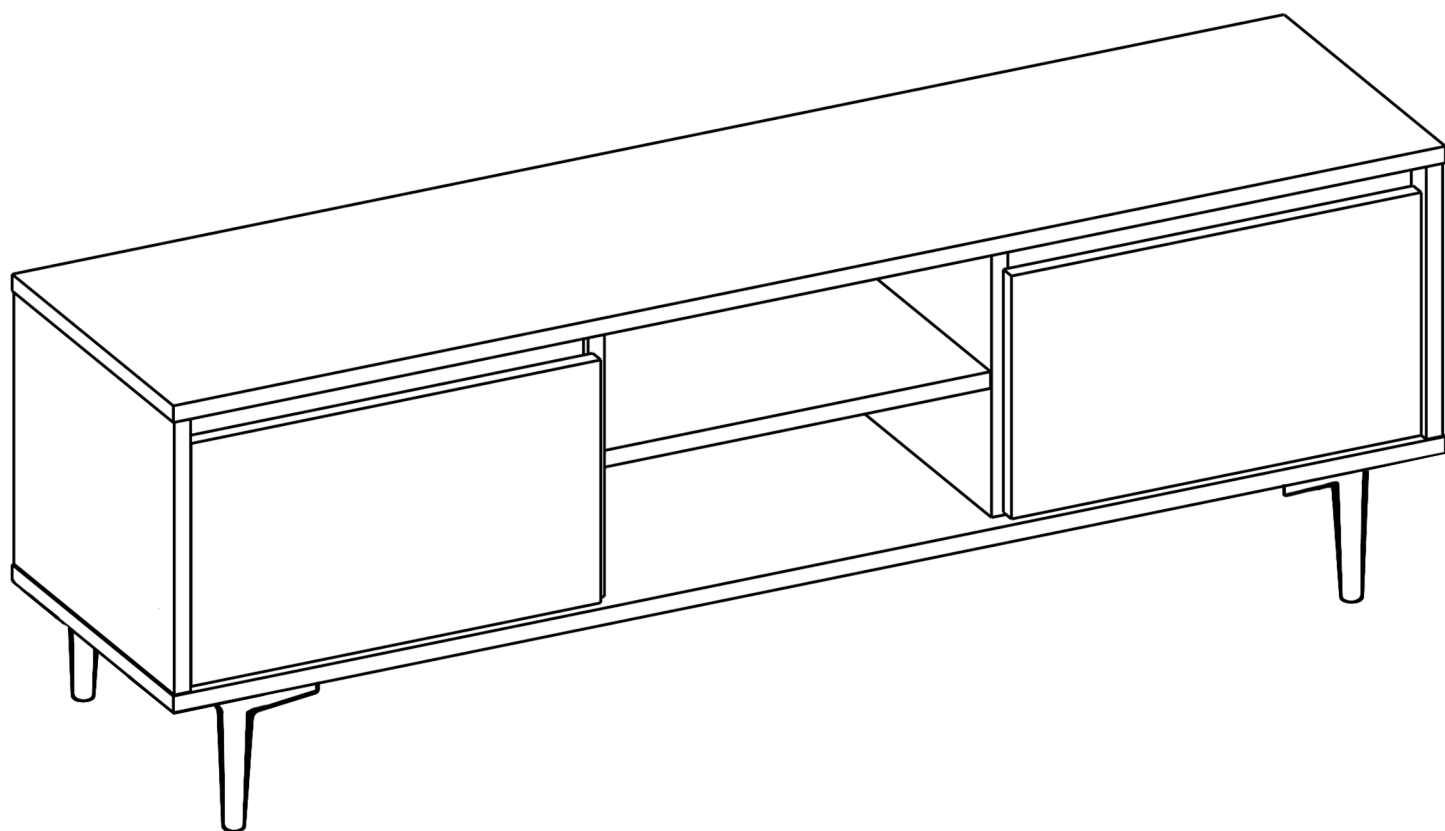


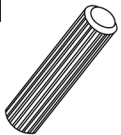
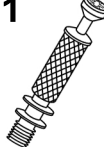



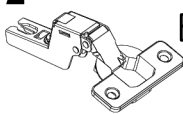
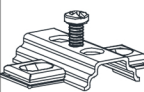


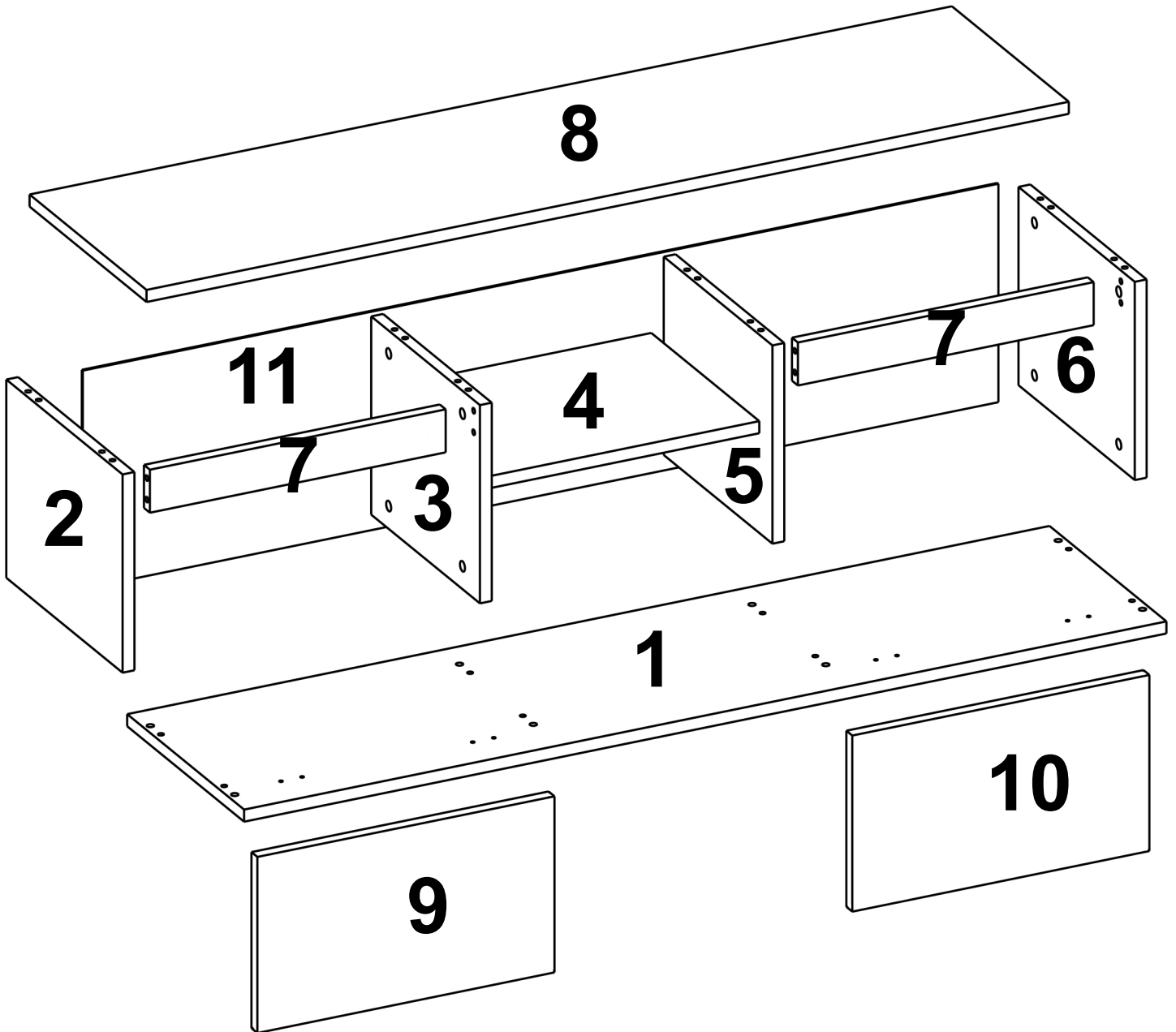
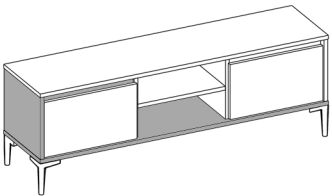


# AR1



1  B0501 x17	1  B0502 x17	1  B0503 x25	1  B0504 x17	2  B0301 x17
P  B1004 x4	2  B0318 x23	2  B0103 x4	2  B0105 x4	2  B0507 x4
2  B0326 x17				





B0502

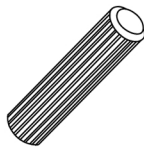
B0503

B0504

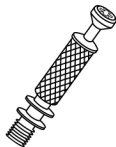
B0501



x2



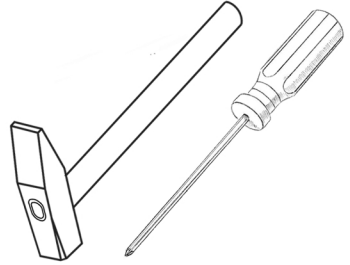
x4



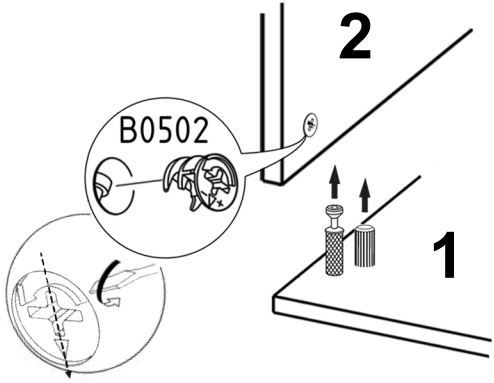
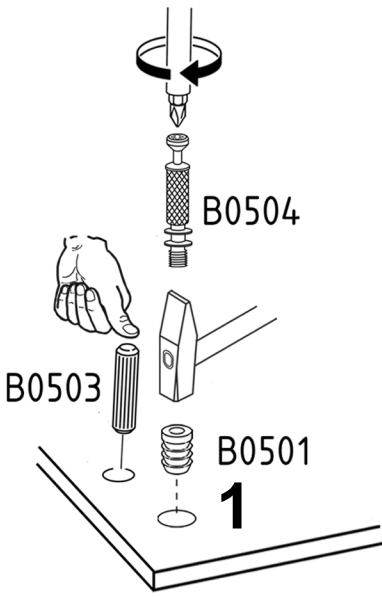
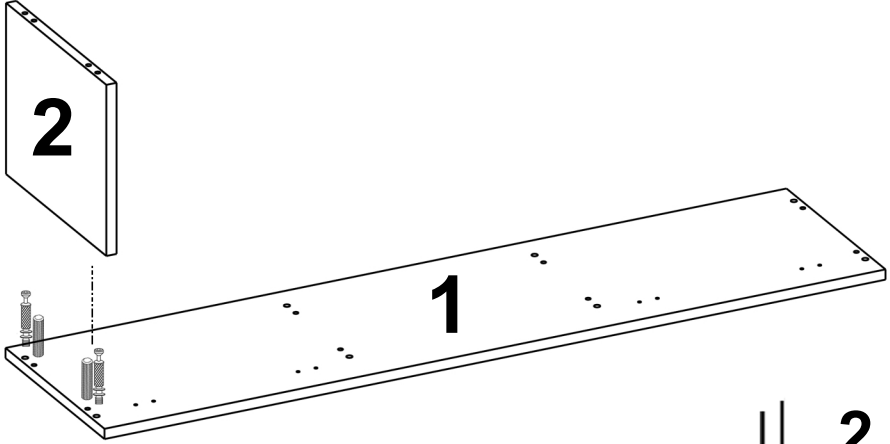
x2



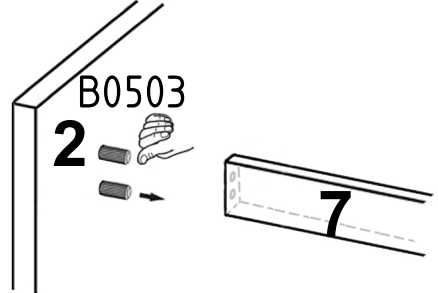
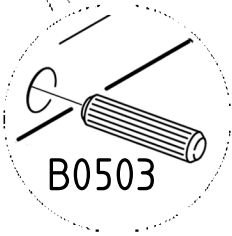
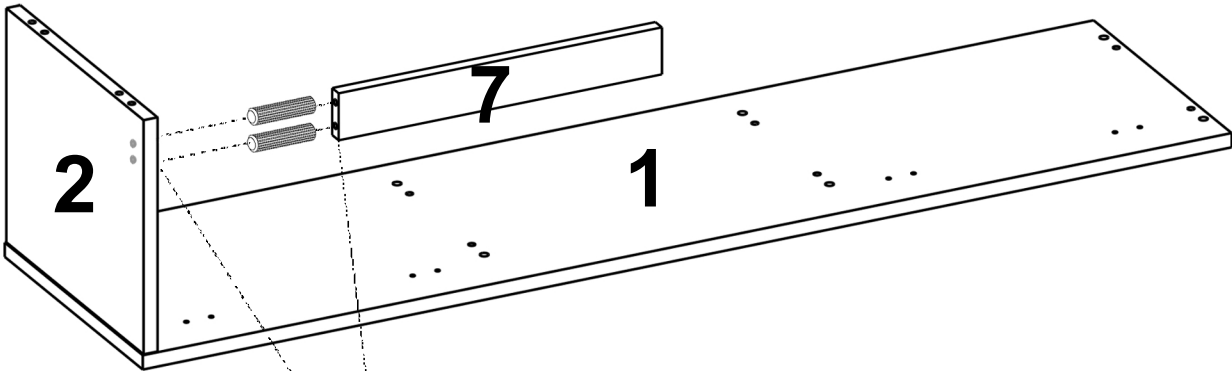
x2



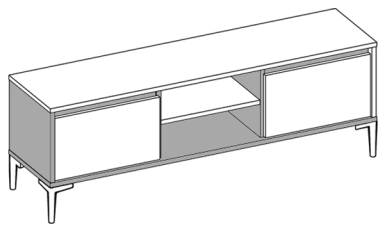
1



2



3



B0502

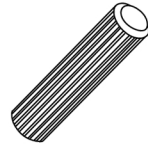
B0503

B0504

B0501



x4



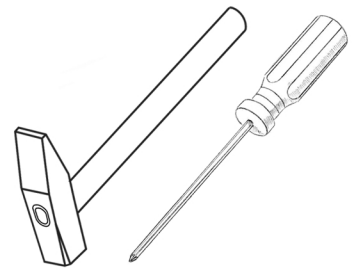
x8



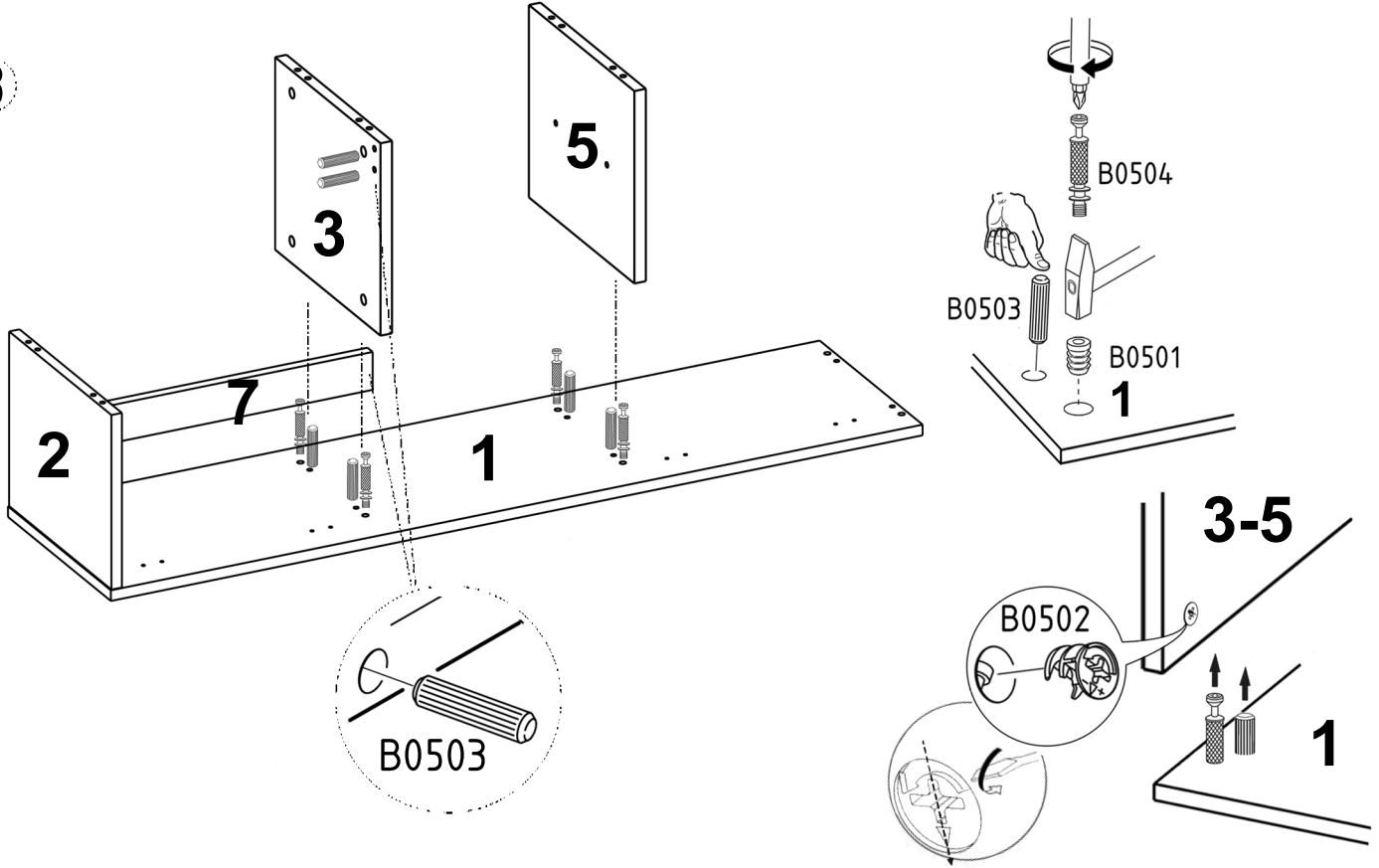
x4



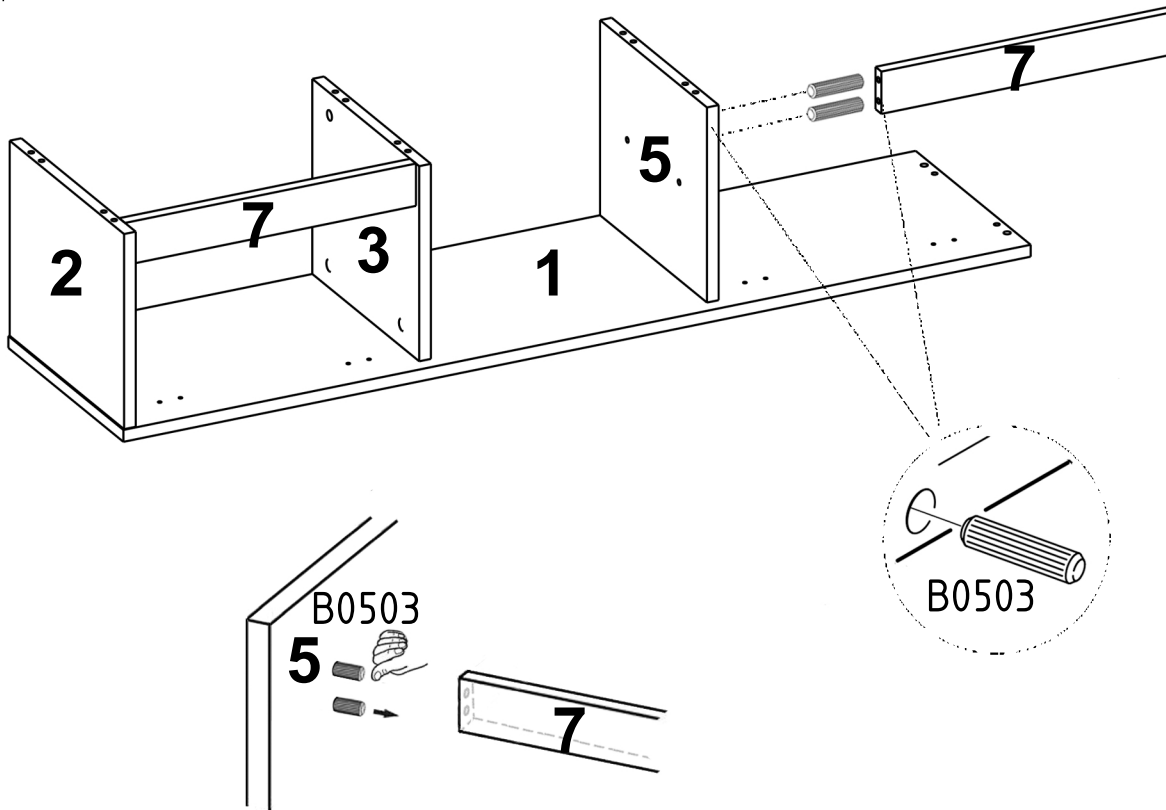
x4

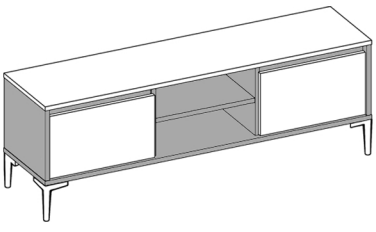


3

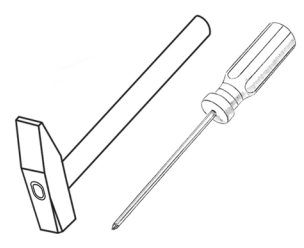


4

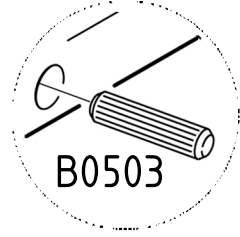
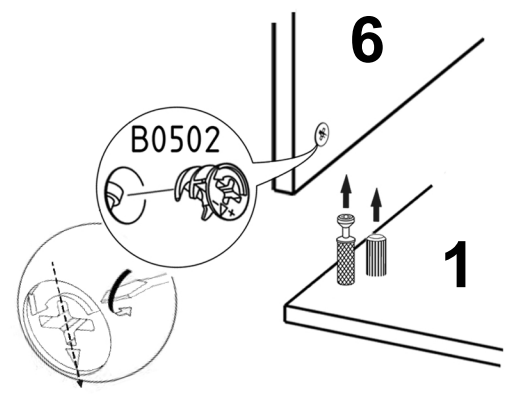
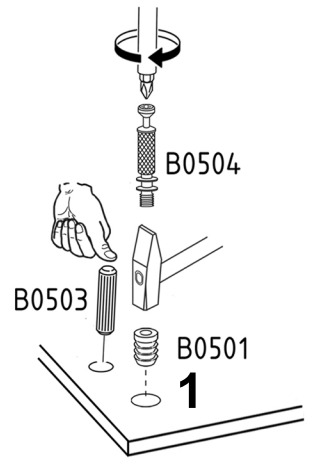
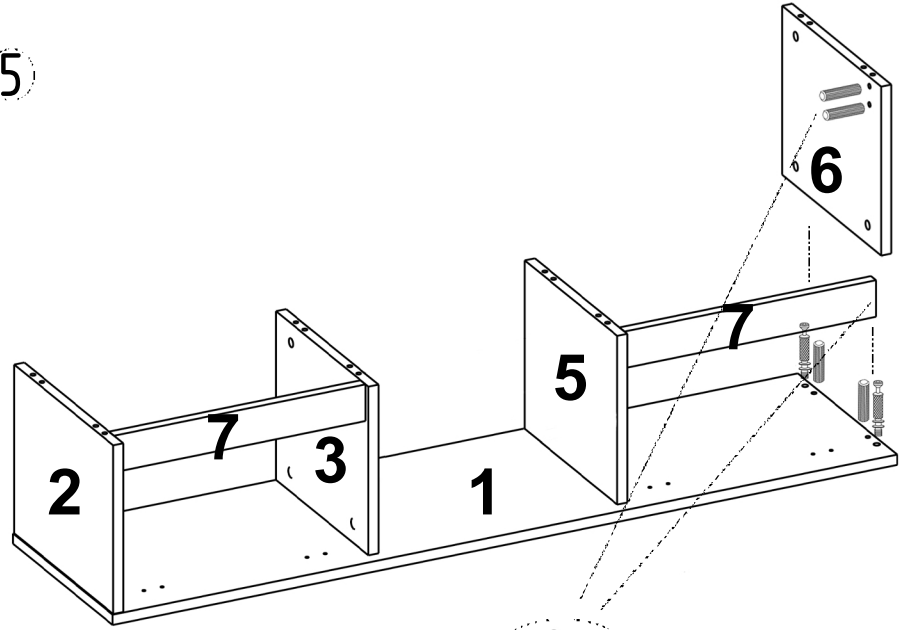




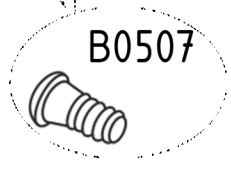
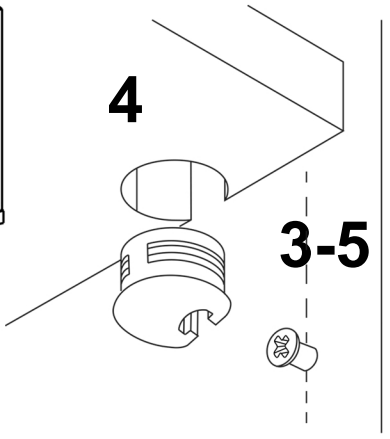
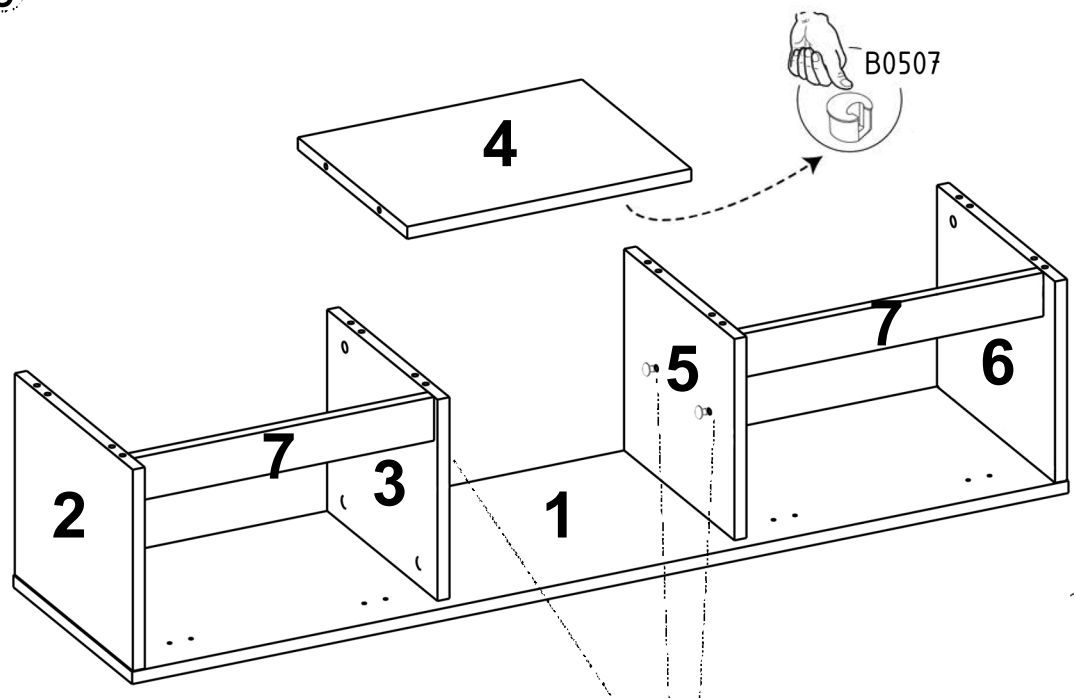
- B0502 x2
- B0503 x4
- B0504 x2
- B0501 x2
- B0507 x4



5



6



B0502

B0503

B0504

B0501

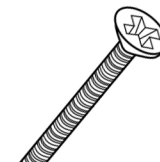
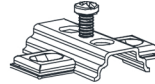
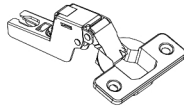
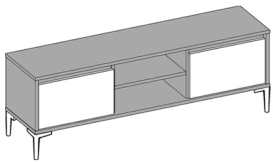
B0103

B0105

B0301

B0326

B1004



x8

x8

x8

x8

x4

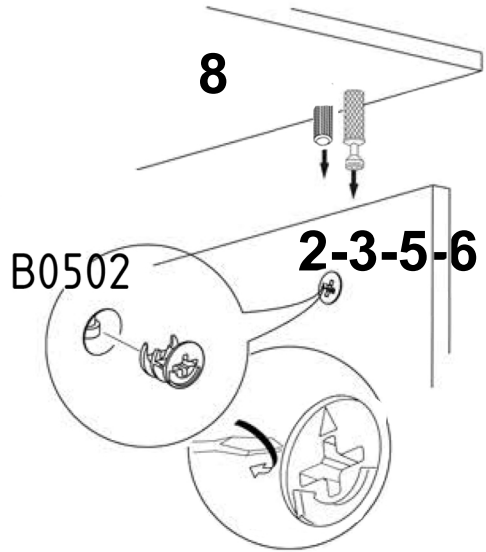
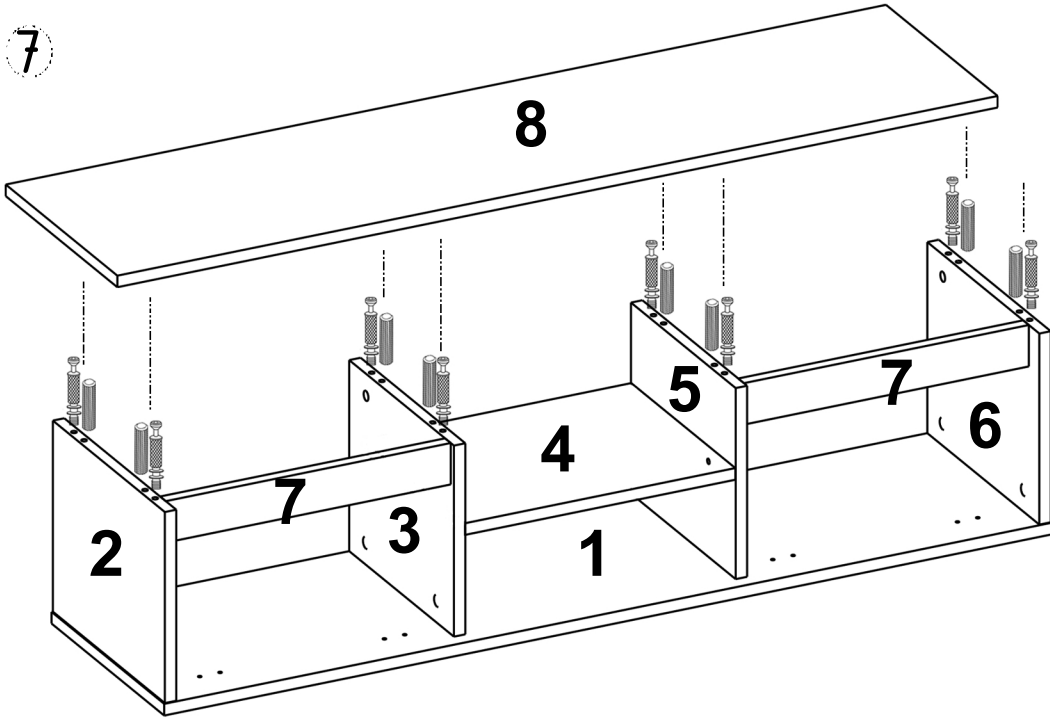
x4

x16

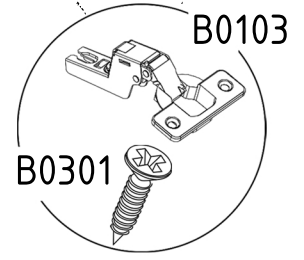
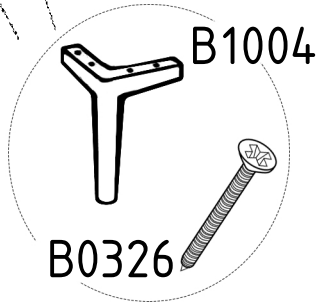
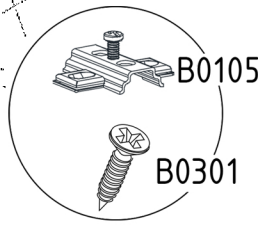
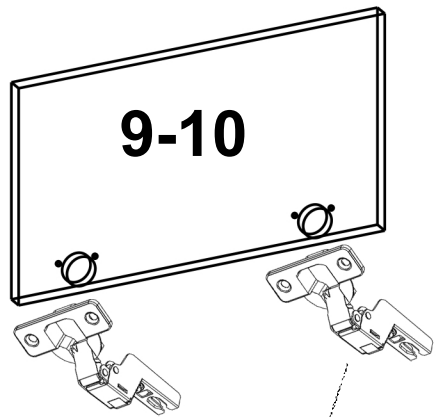
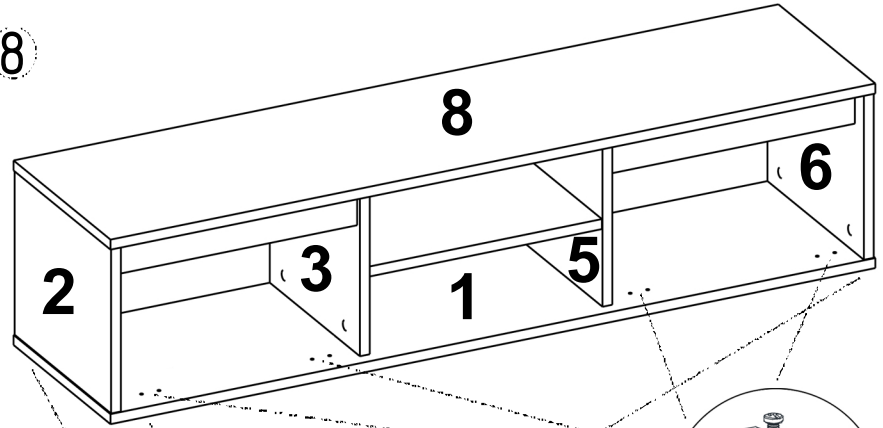
x16

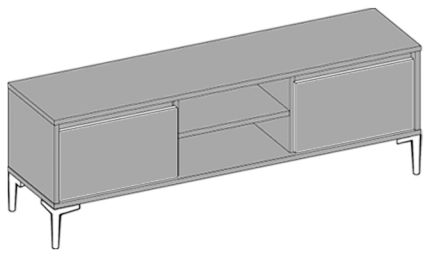
x4

7



8

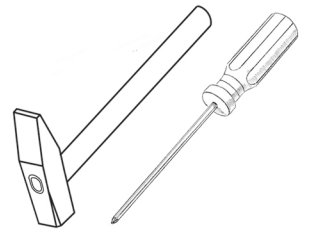




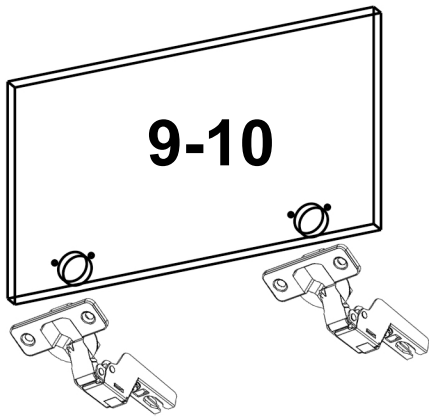
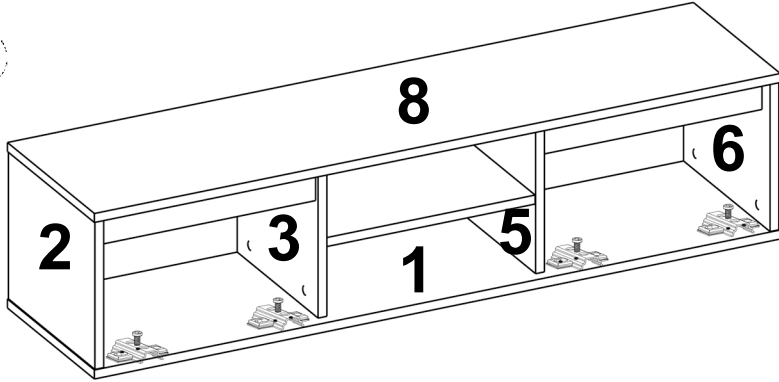
B0318



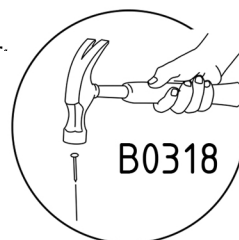
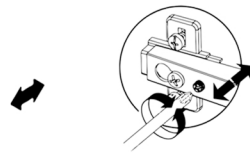
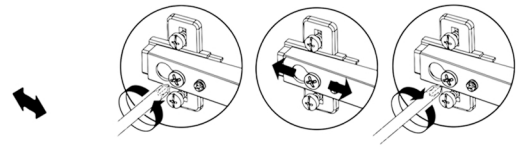
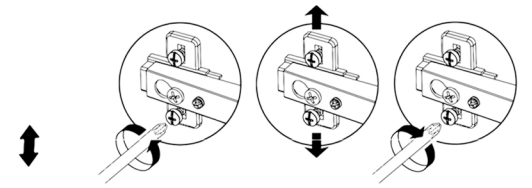
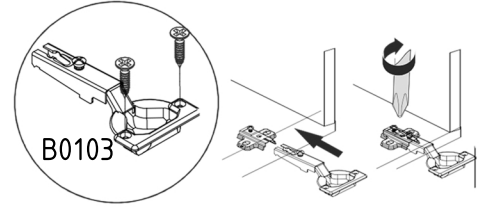
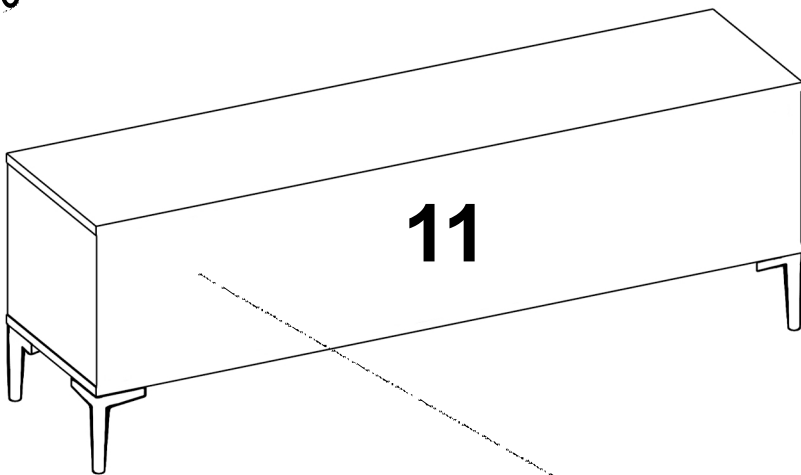
x23



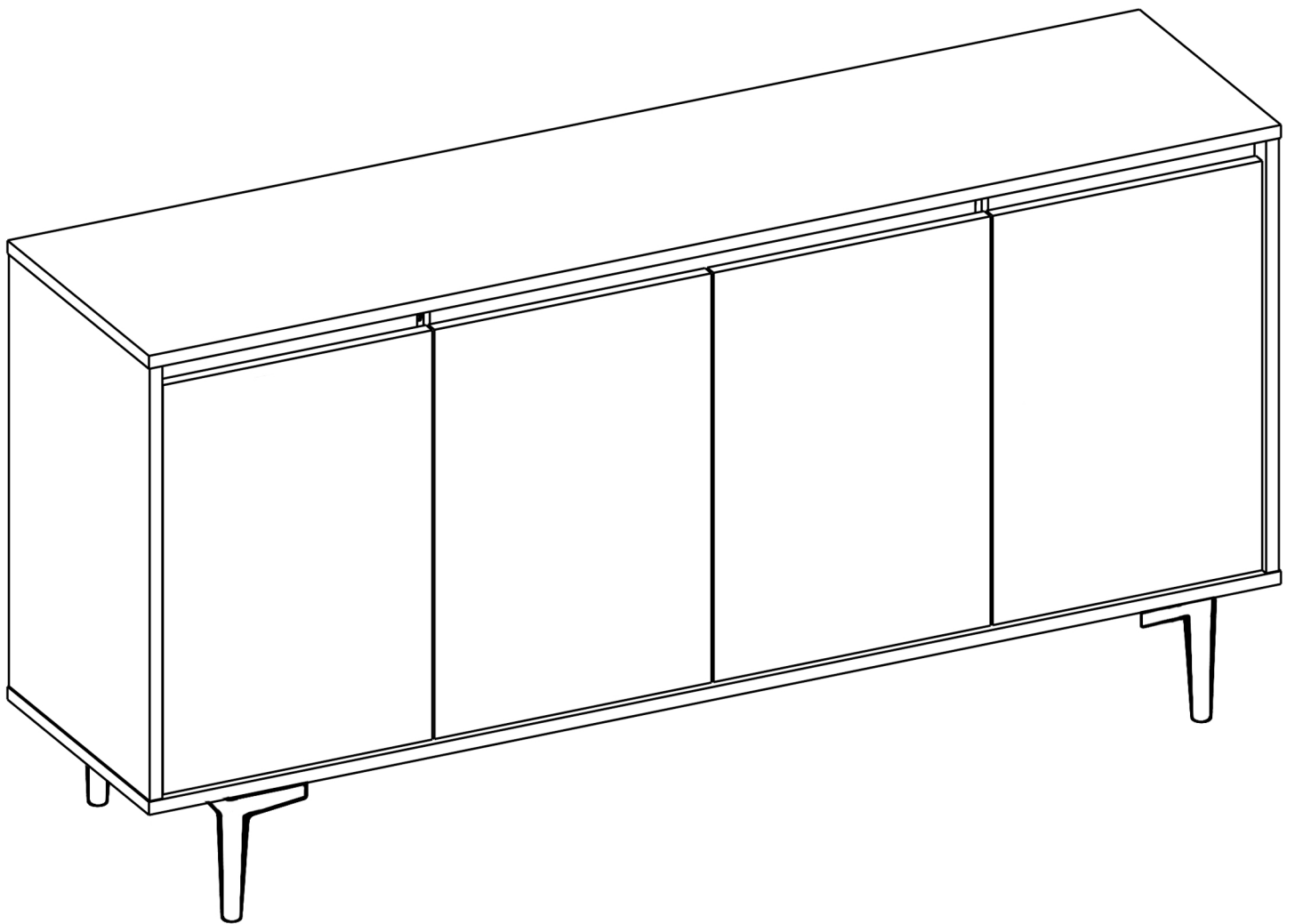
9





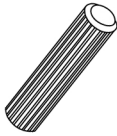

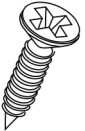


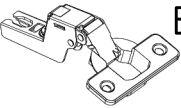
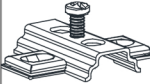
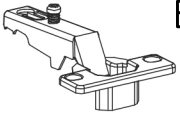
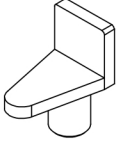

10

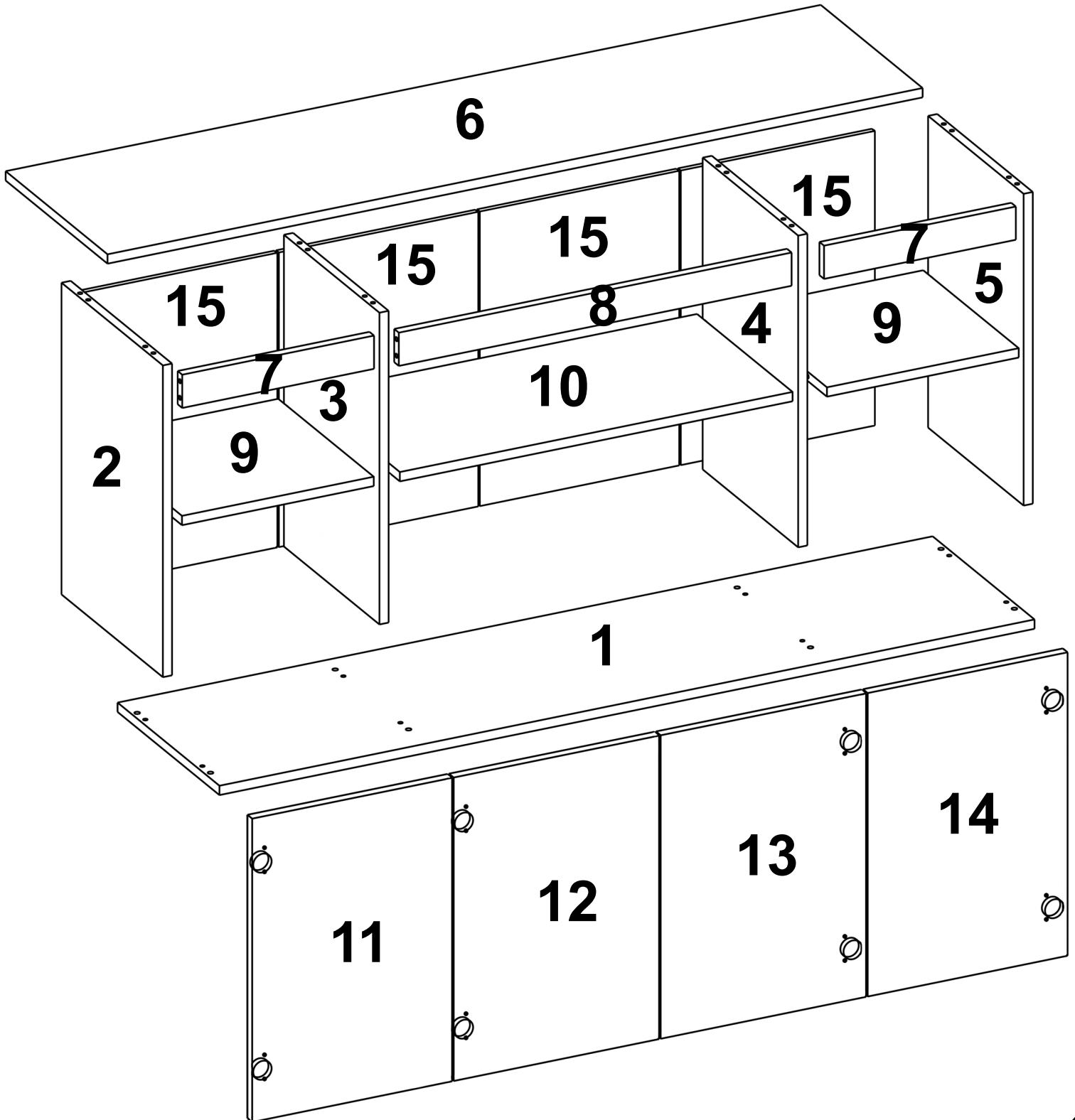


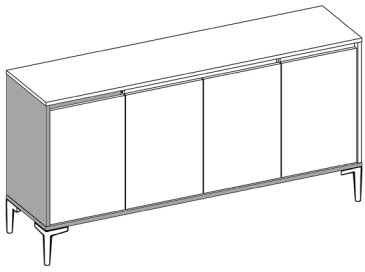
# AR3





 B0501 x17	 B0502 x17	 B0503 x29	 B0504 x17	 B0301 x34
 B1004 x5	 B0318 x24	 B0103 x4	 B0105 x8	 B0102 x4
 B0509 x12	 B0326 x21			



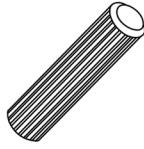


B0502



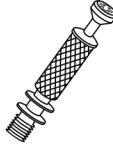
x2

B0503



x4

B0504

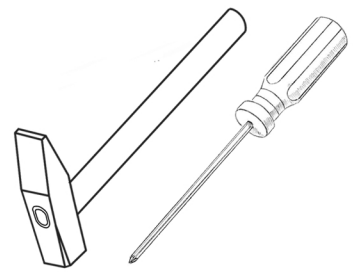


x2

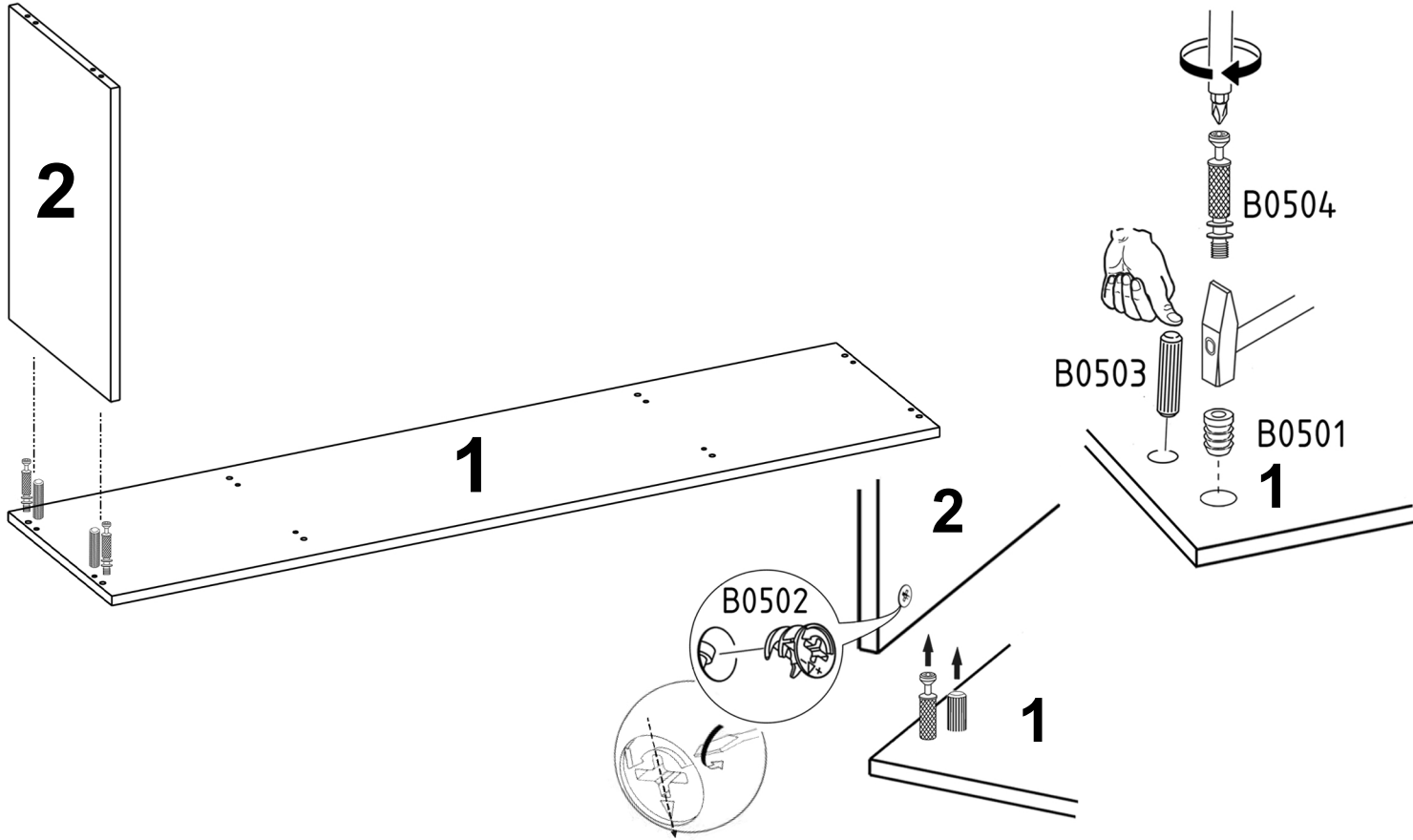
B0501



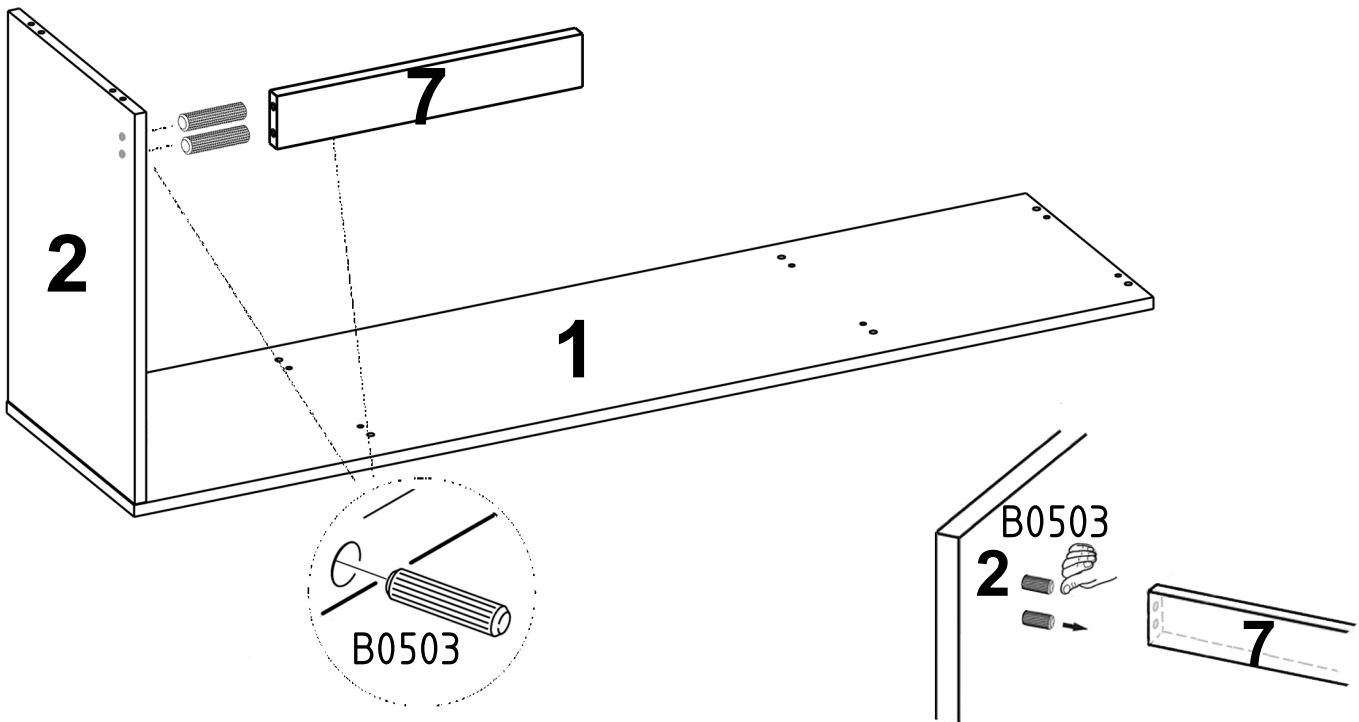
x2



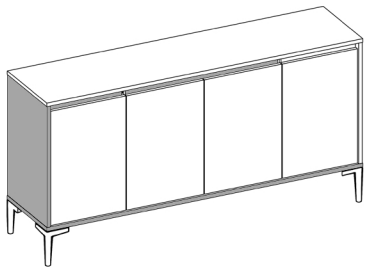
1



2



3



B0502

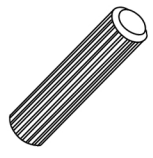
B0503

B0504

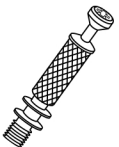
B0501



x2



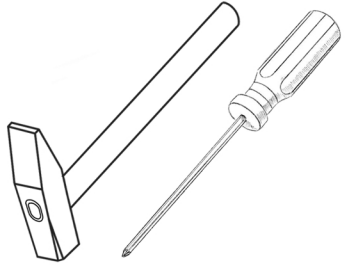
x6



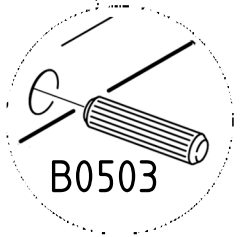
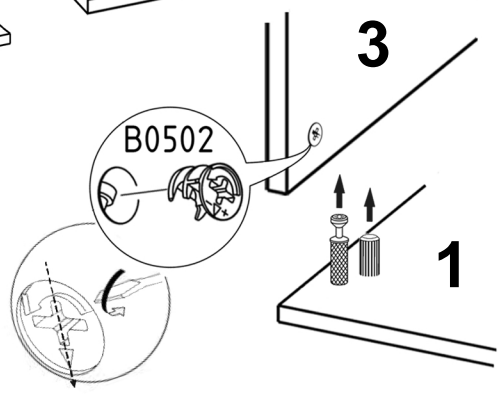
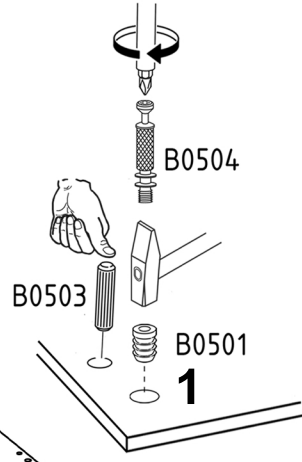
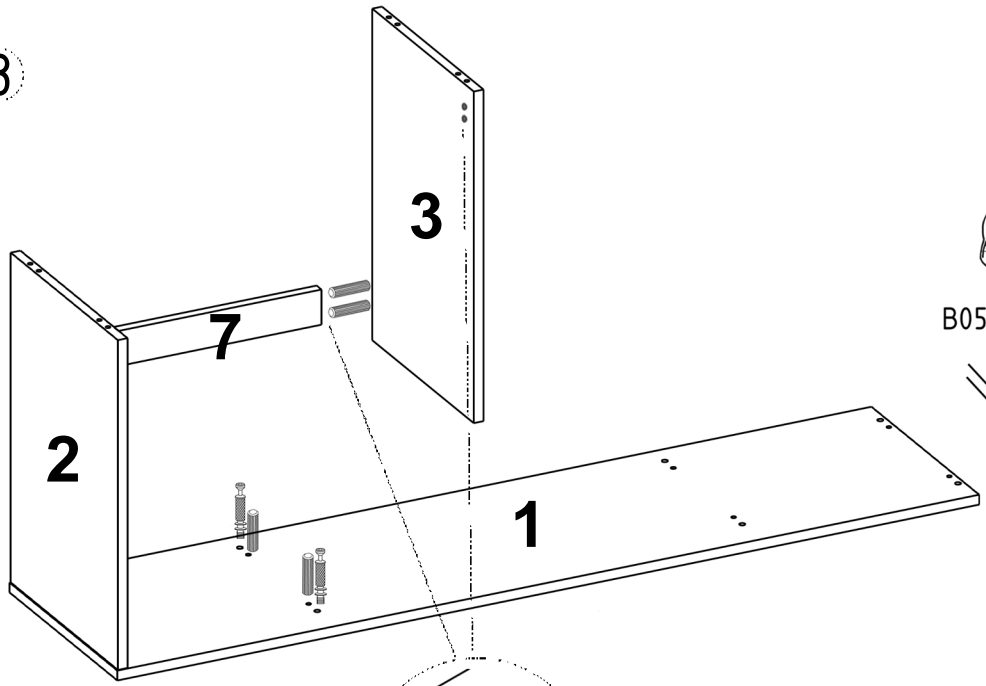
x2



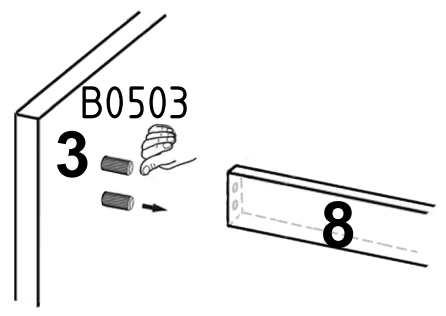
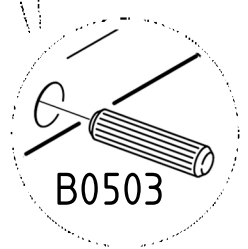
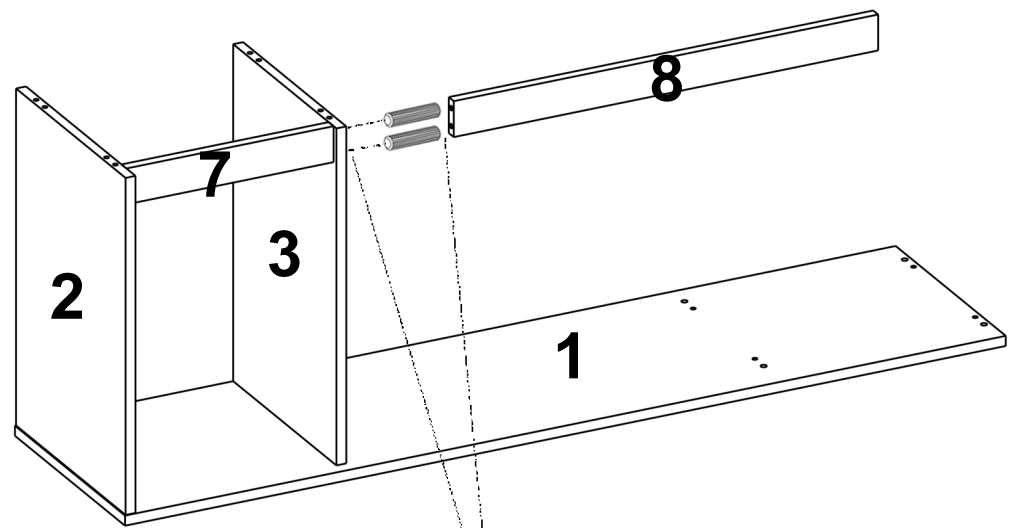
x2

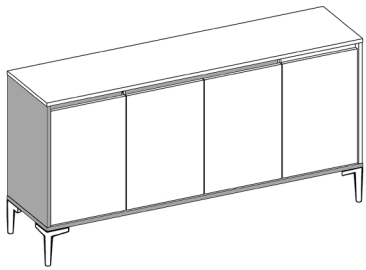


3



4



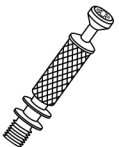
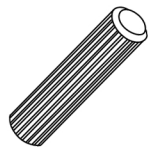


B0502

B0503

B0504

B0501

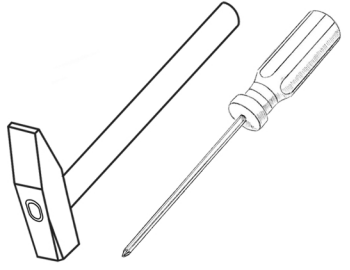


x2

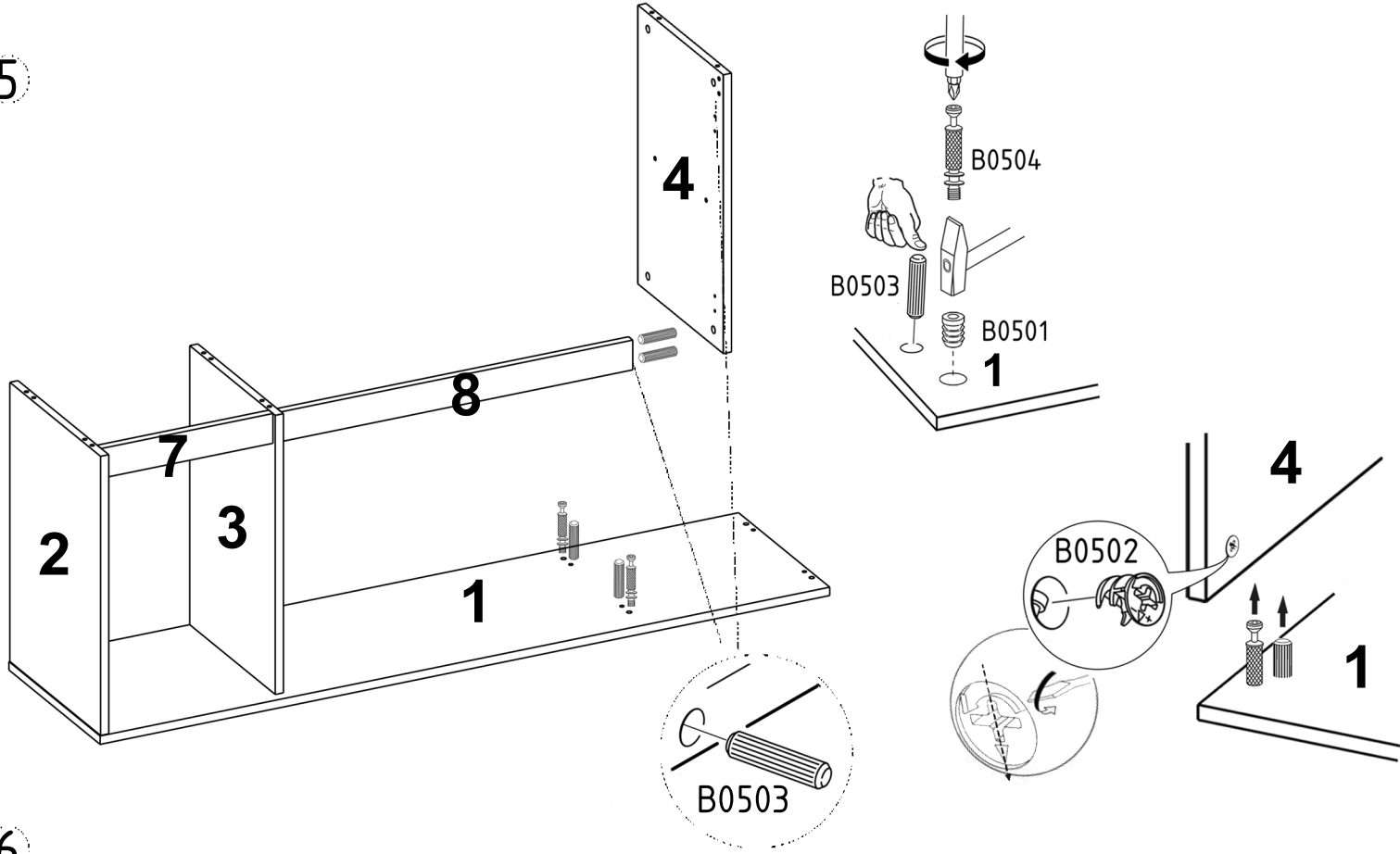
x6

x2

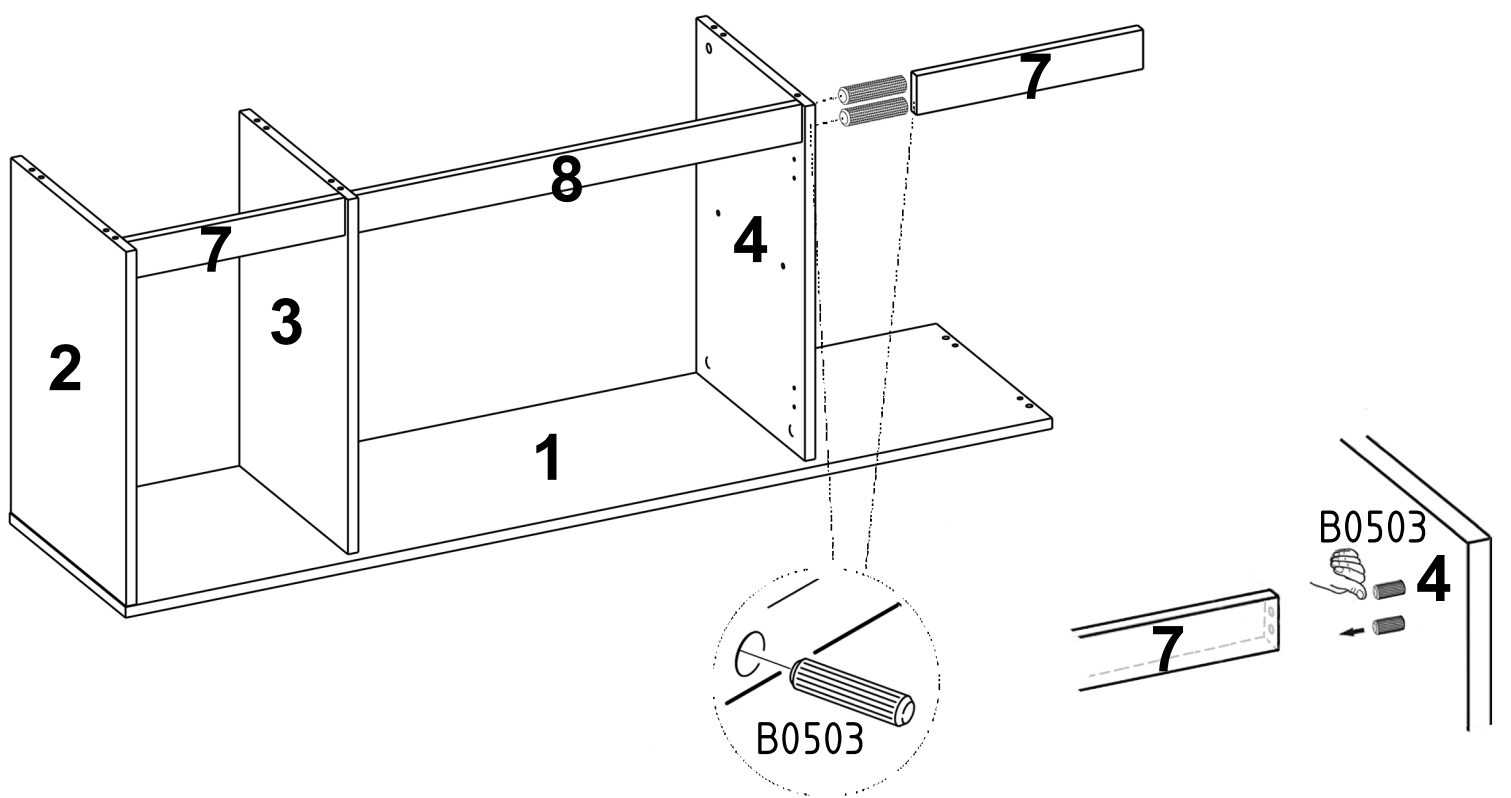
x2



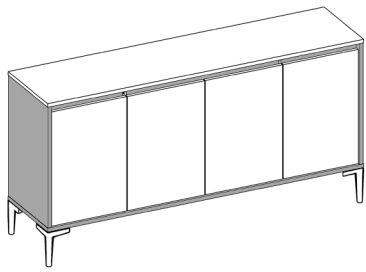
5



6



5

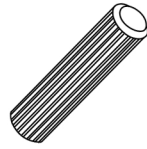


B0502



x2

B0503



x4

B0504



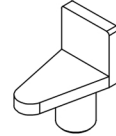
x2

B0501

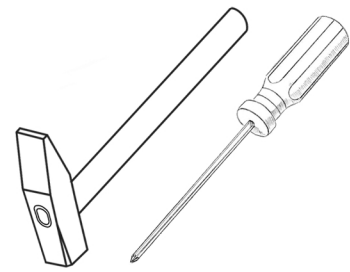


x2

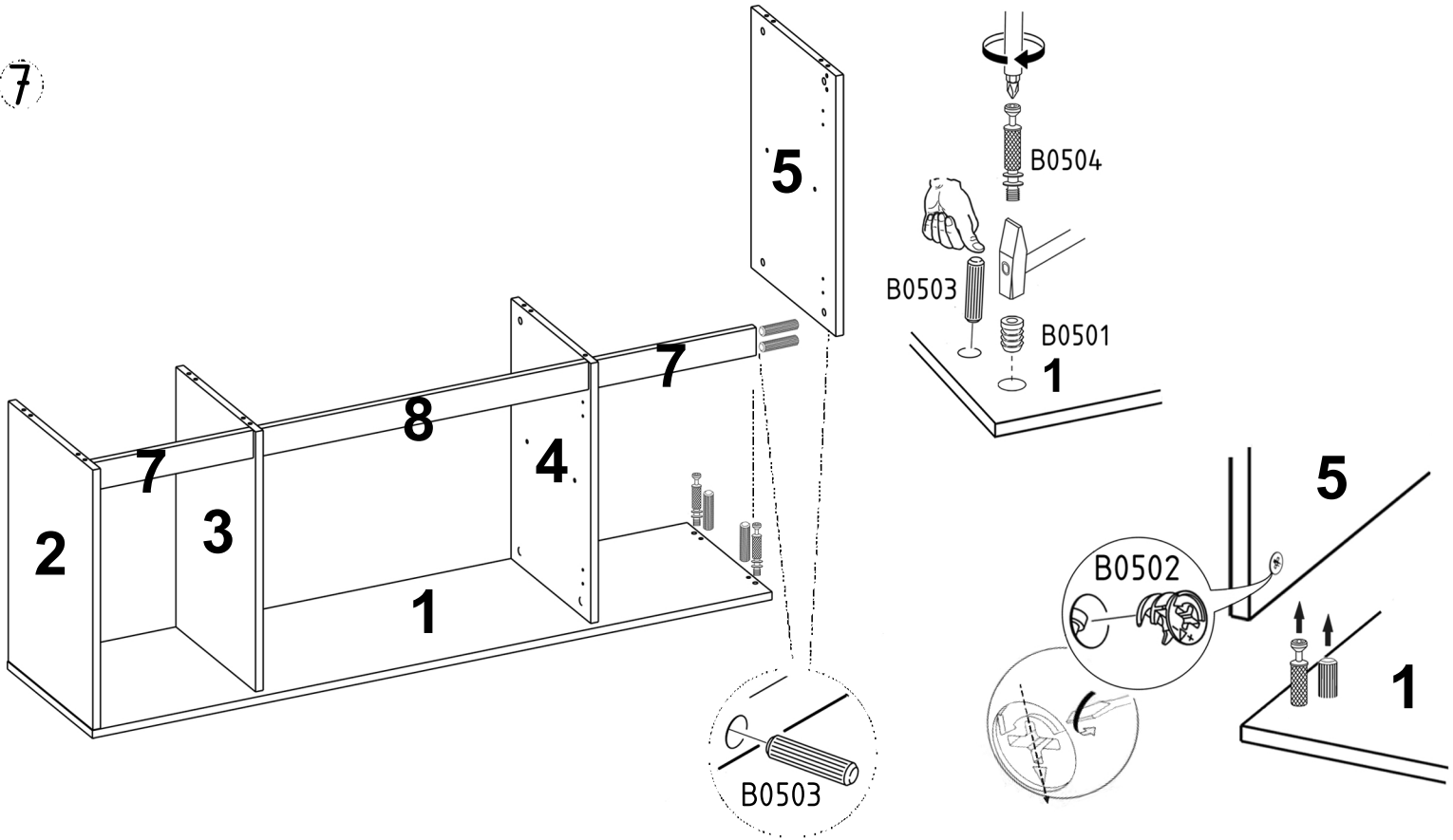
B0509



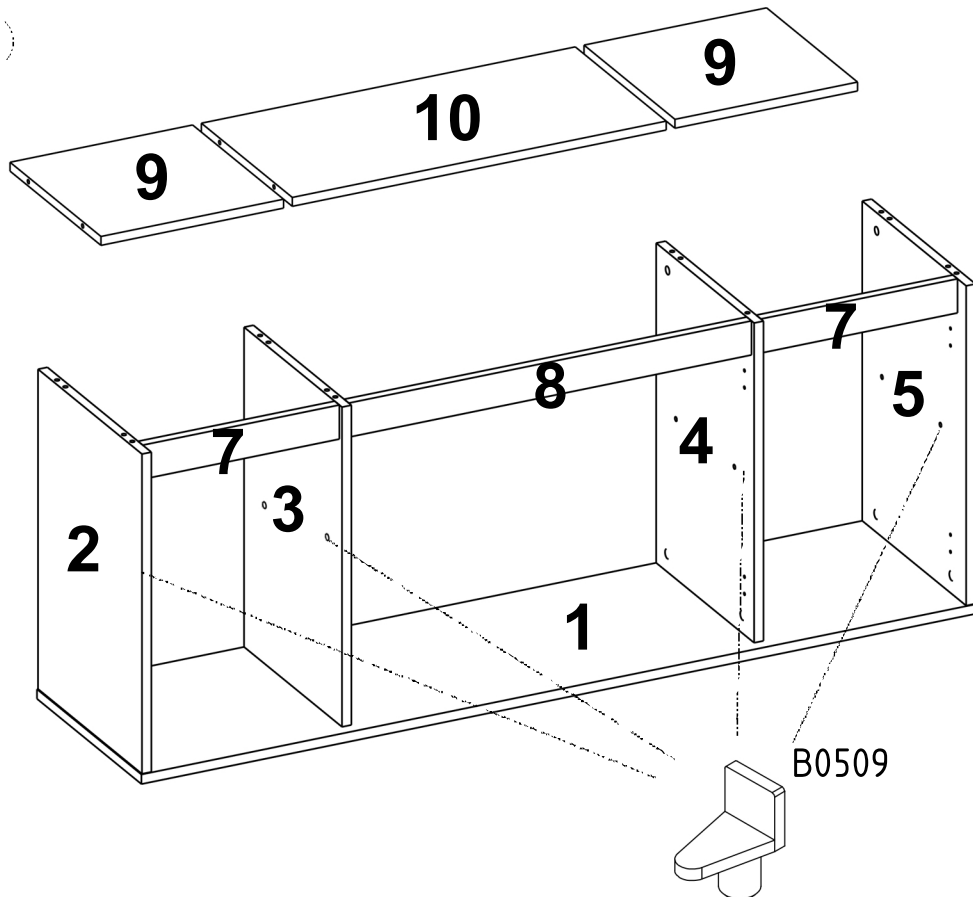
x12

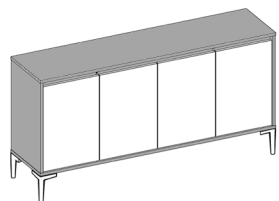


7



8





B0502

B0503

B0504

B0501

B0103

B0102

B0105

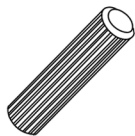
B0326

B1004

B0301



x8



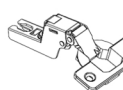
x8



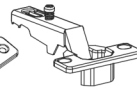
x8



x8



x4



x4



x8



x20

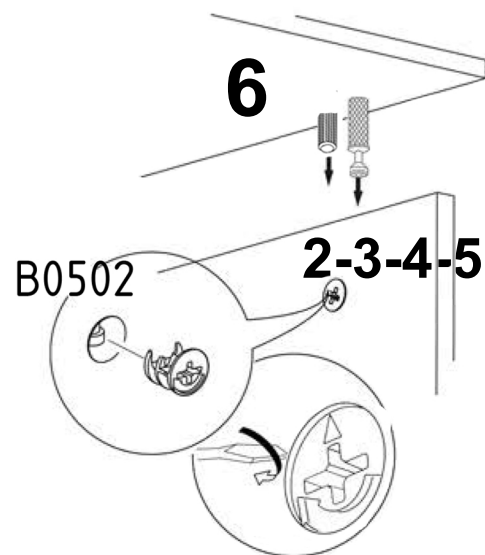
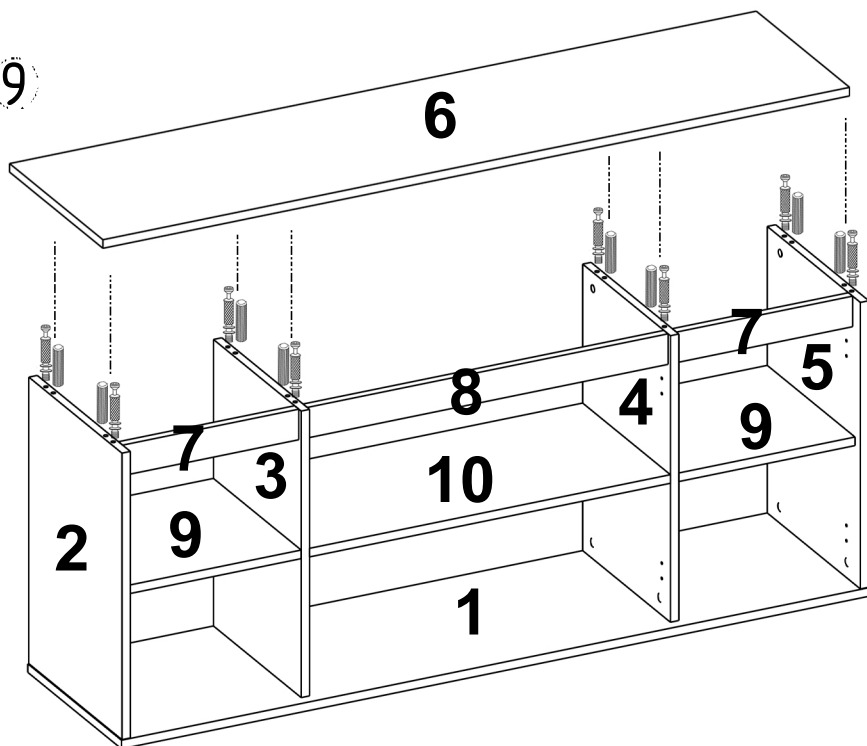


x5

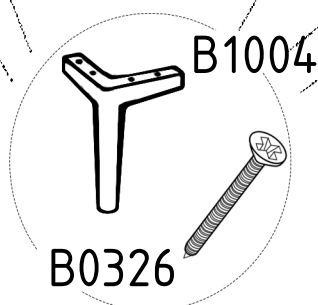
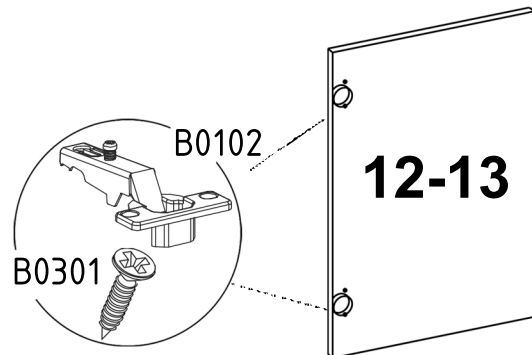
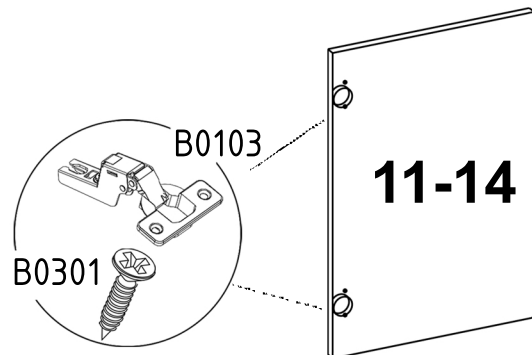
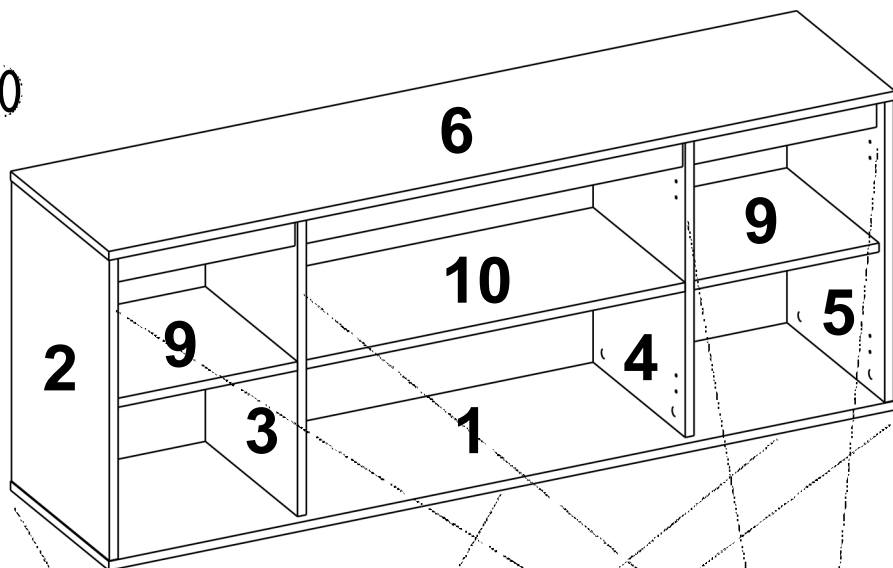


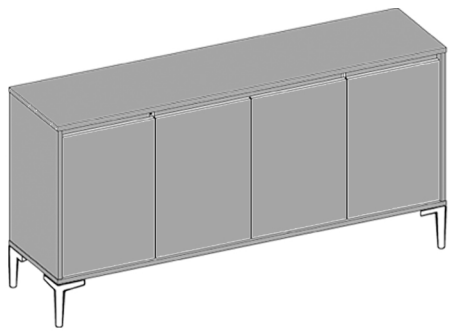
x32

9



10

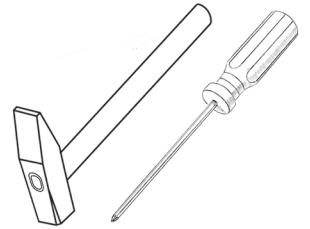




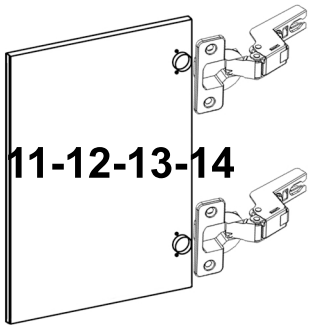
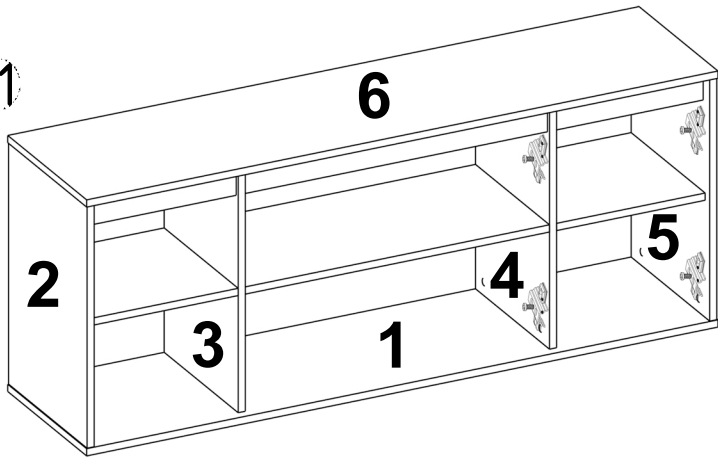
B0318



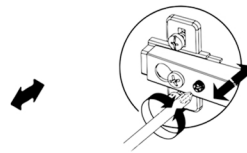
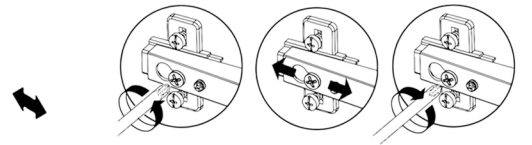
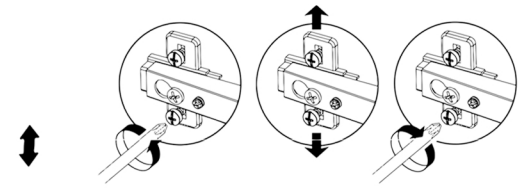
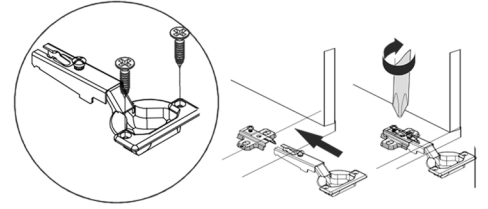
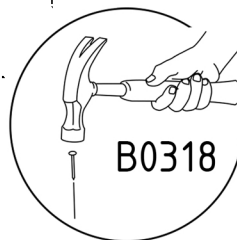
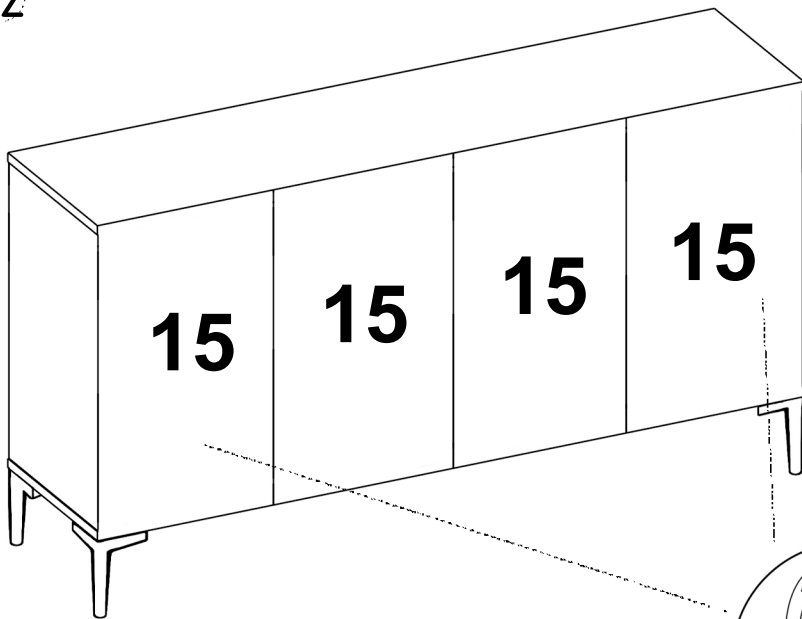
x24



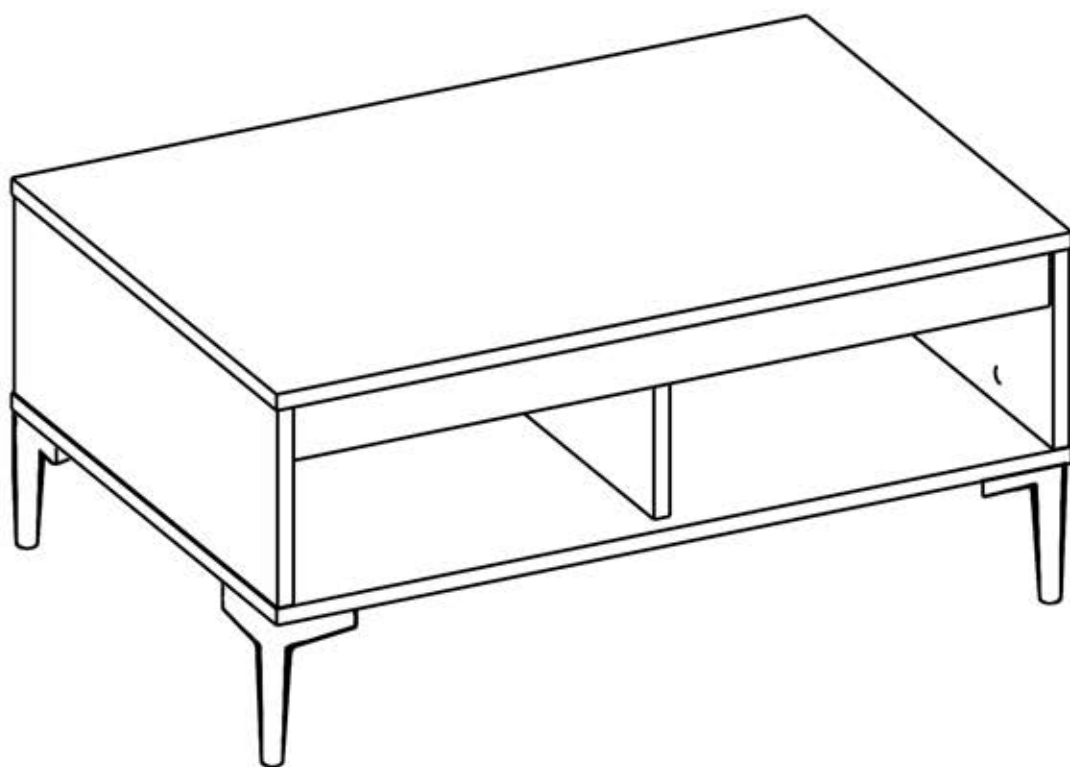
11









12

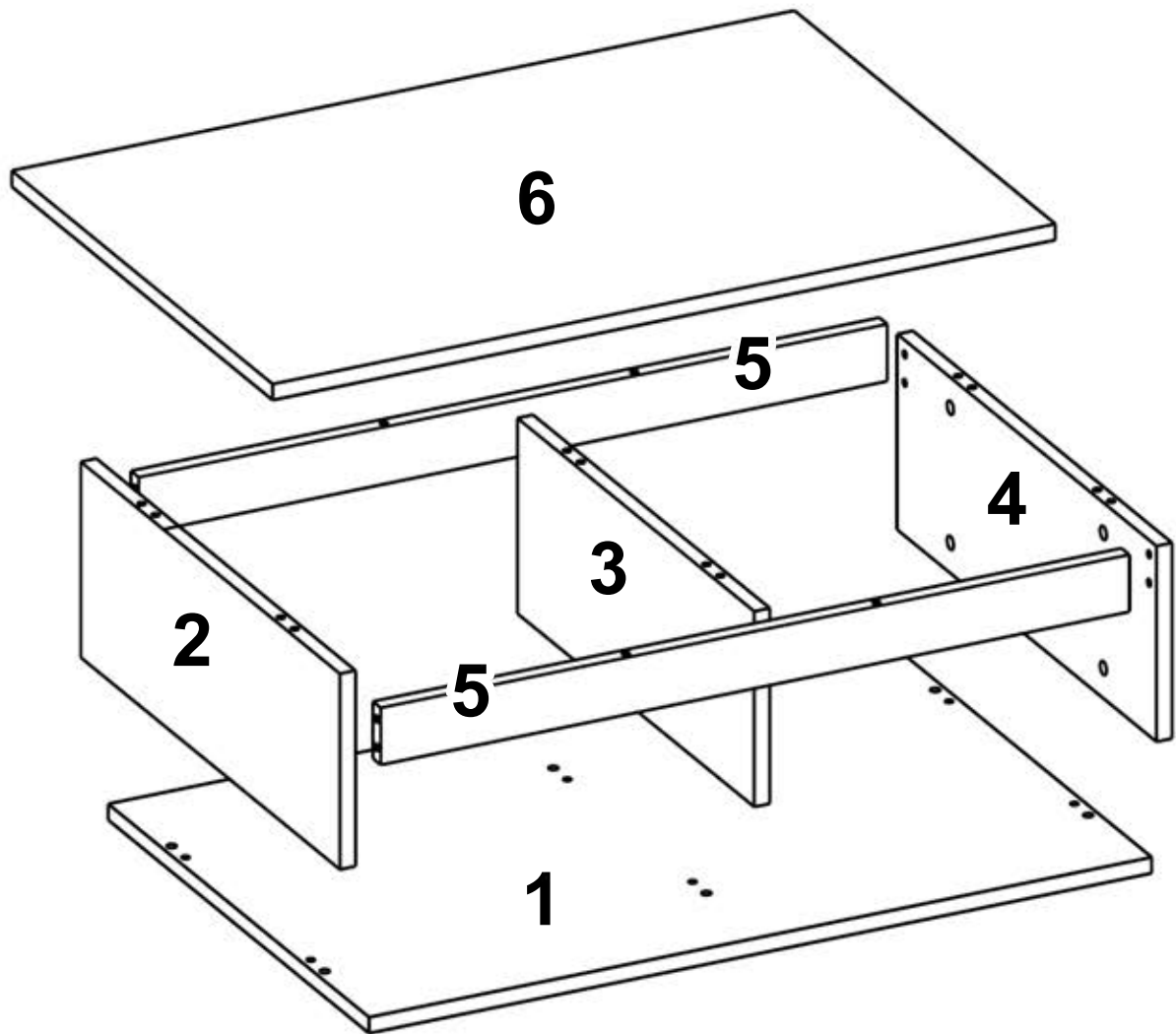


# AR2





 <p>B0501 x13</p>	 <p>B0502 x13</p>	 <p>B0503 x25</p>	 <p>B0504 x13</p>	 <p>B0326 x17</p>
 <p>B1004 x4</p>				





B0501 B0502 B0503 B0504

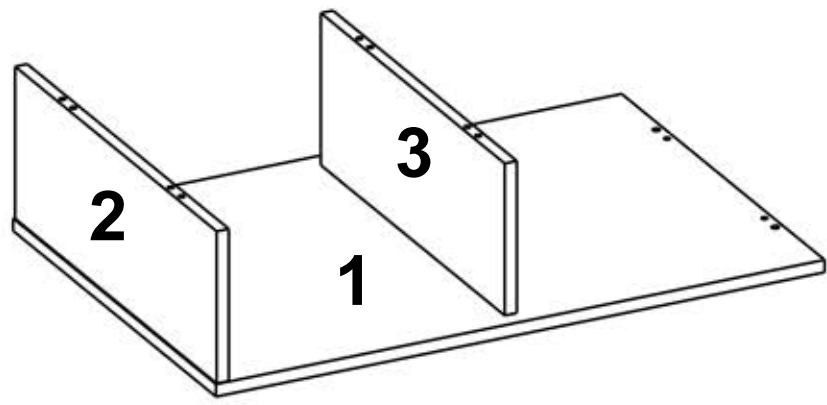
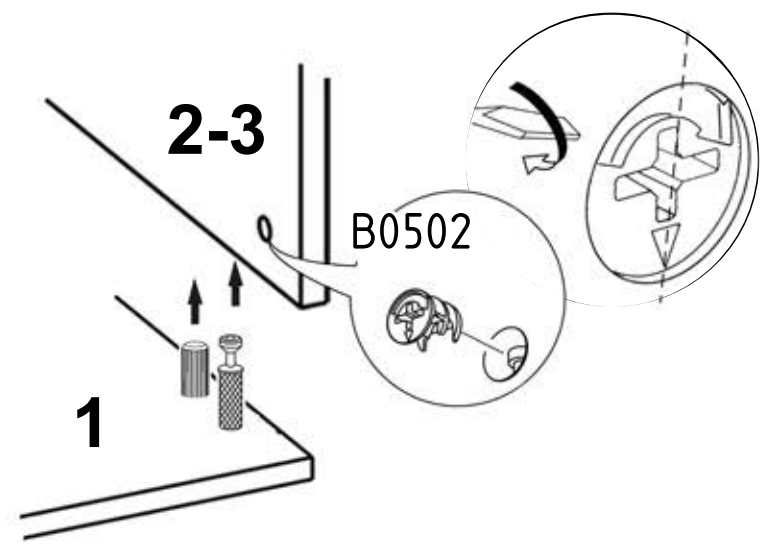
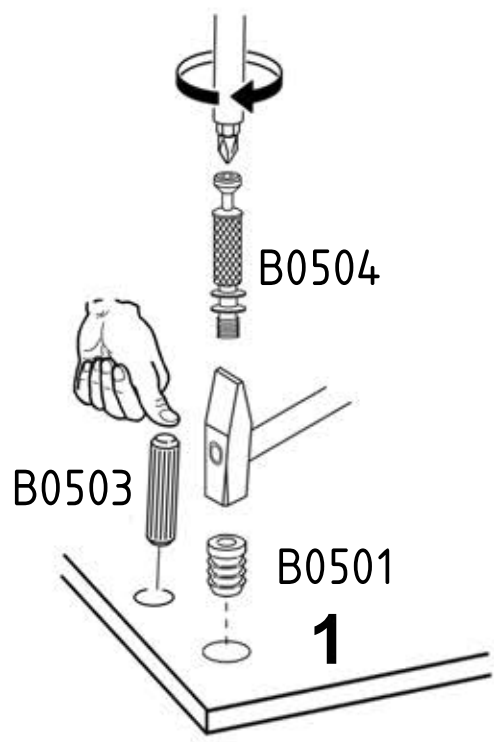
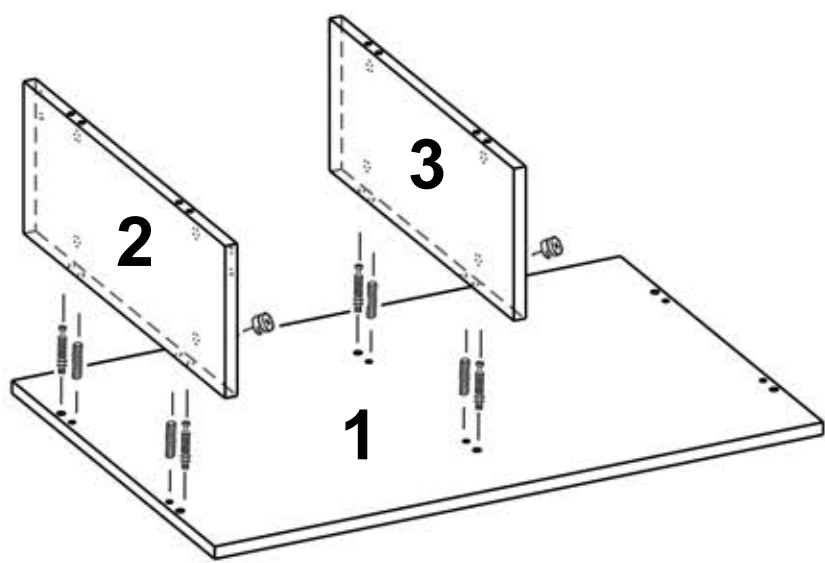
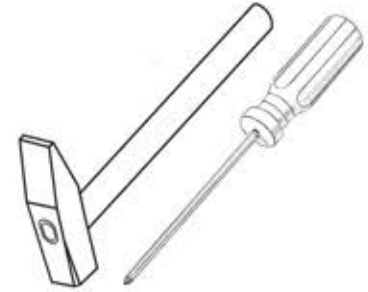


x4

x4

x4

x4





B0501 B0502 B0503 B0504

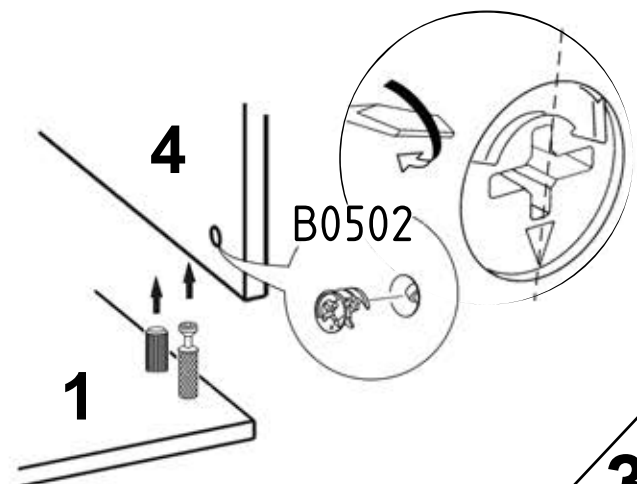
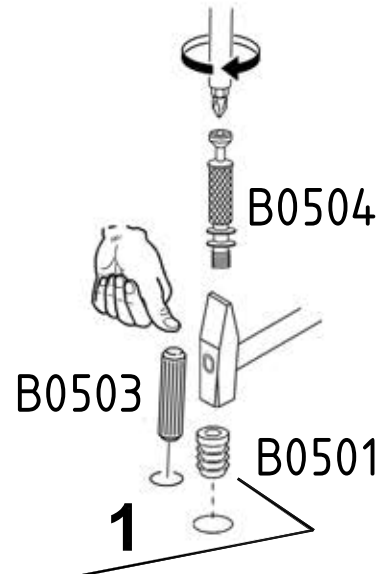
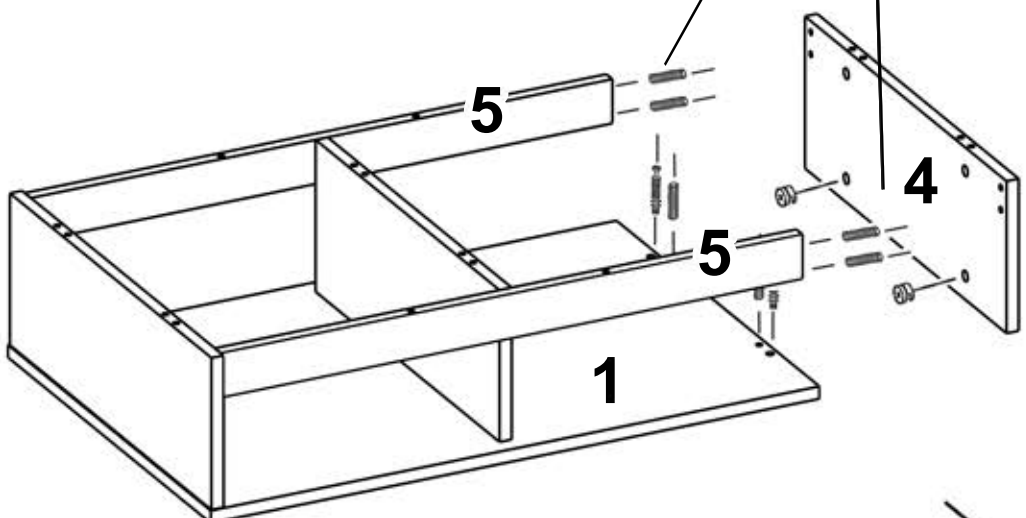
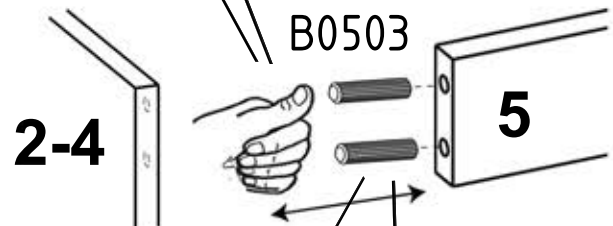
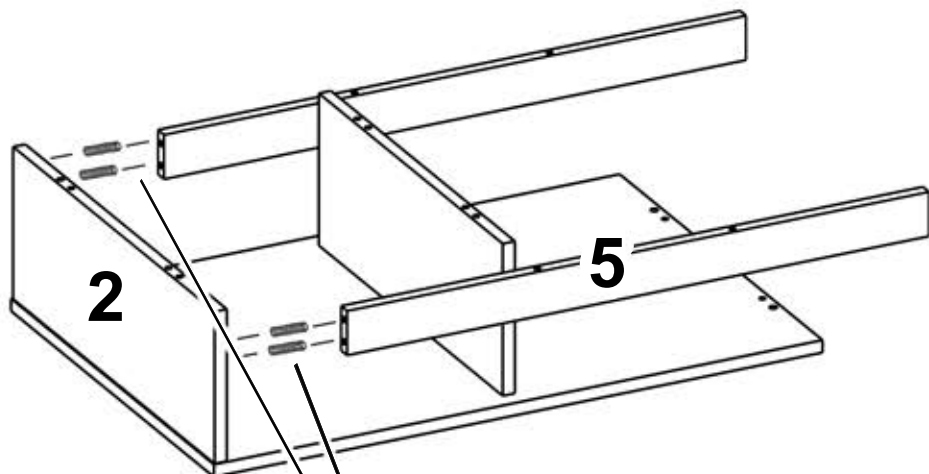


x2

x2

x10

x2



3



B0501 B0502 B0503 B0504 B1004 B0326



x6



x6



x10



x6



x4



x16

