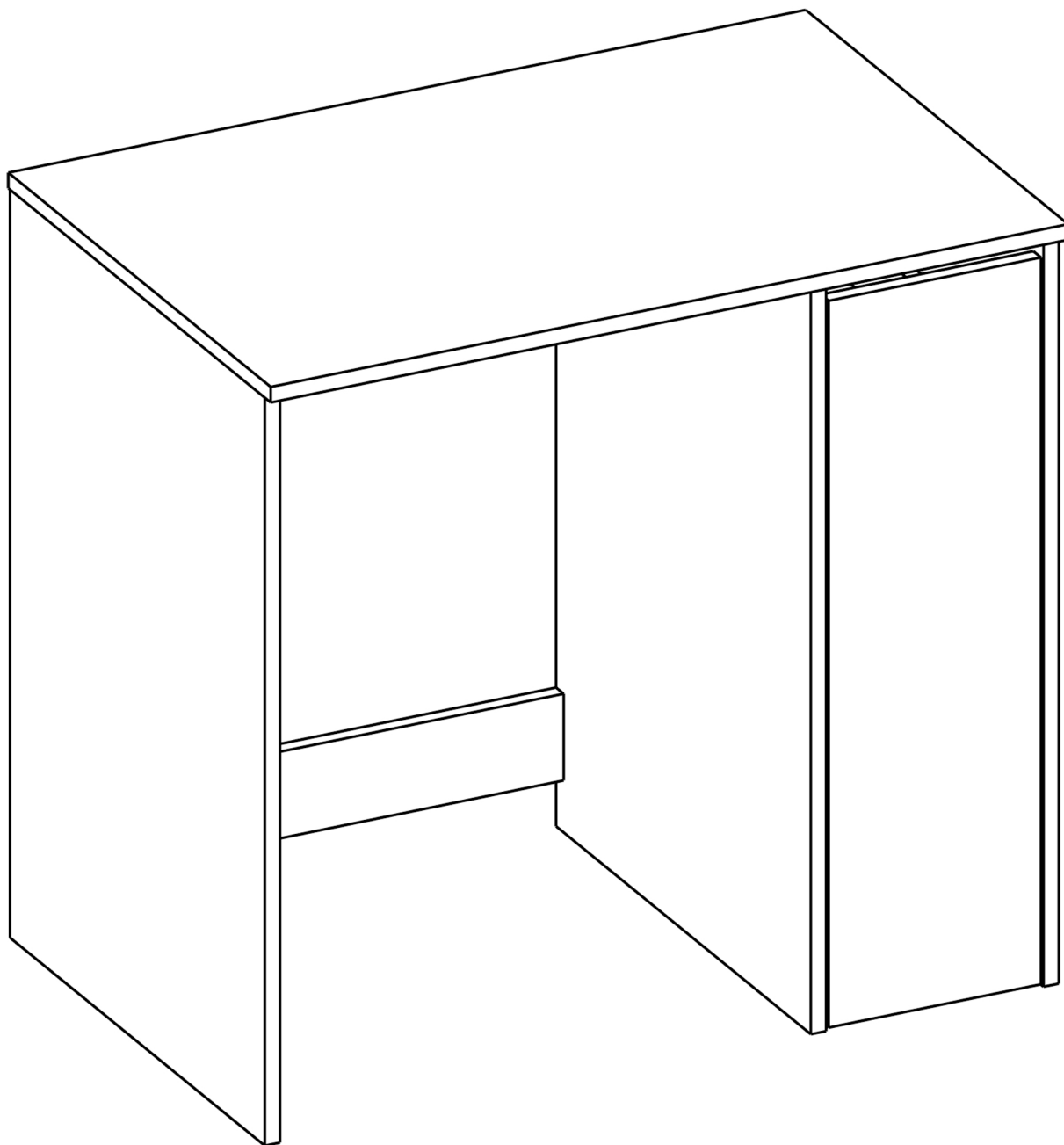


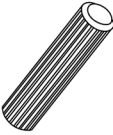
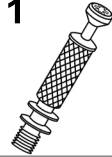

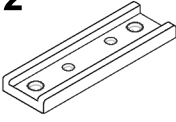
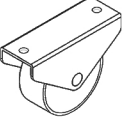
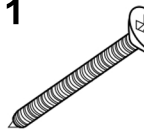

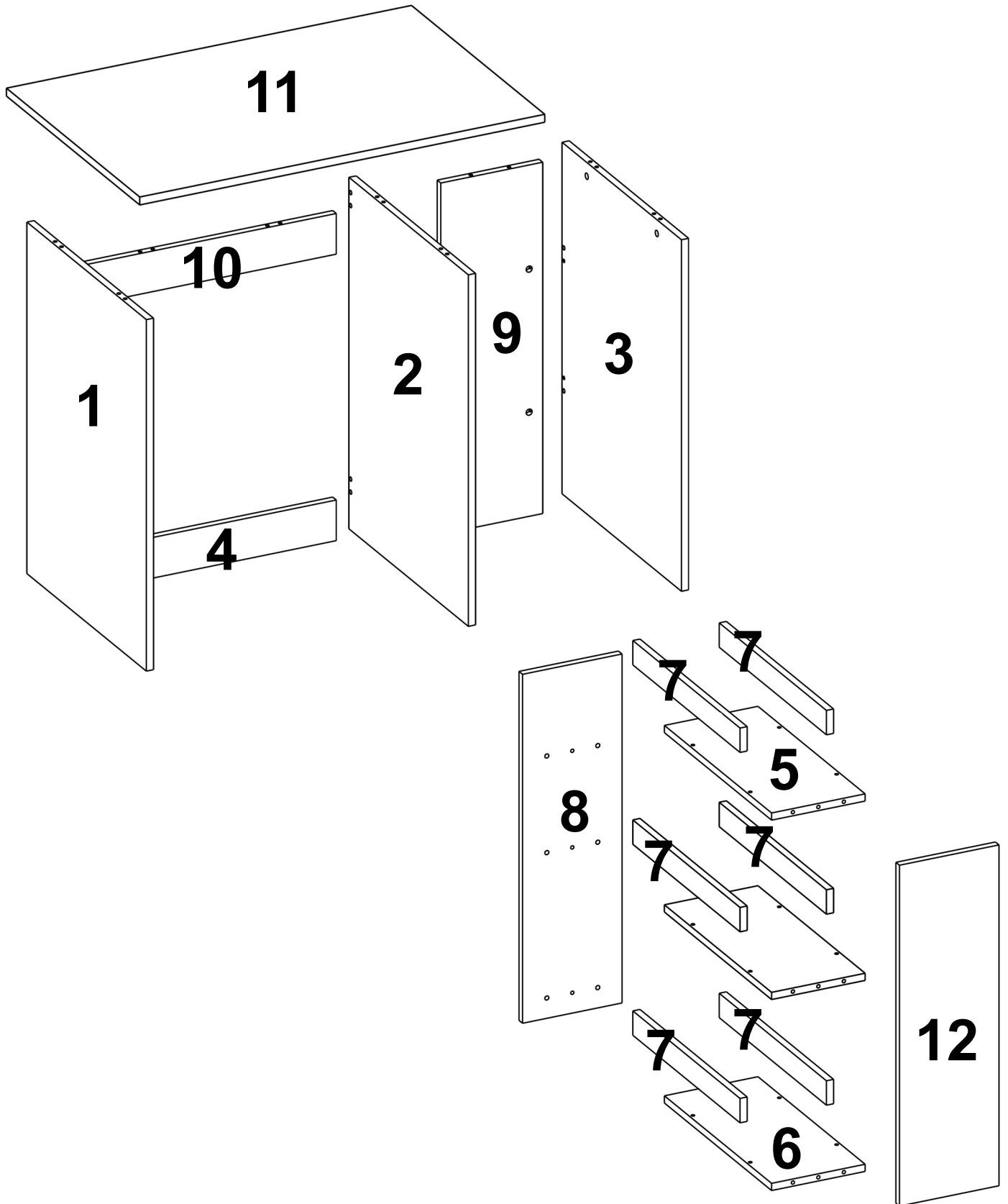
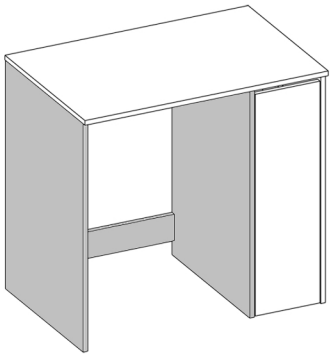


# SA1



1  B0501 x33	1  B0502 x33	1  B0503 x21	1  B0504 x33	1  B0301 x9
2  B2201 x6	2  B1501 x4	1  B0304 x13	1  B0318 x14	





B0502



x8

B0504

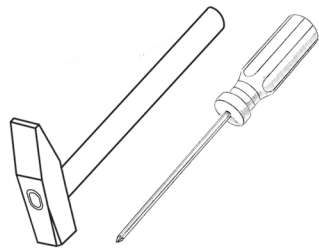


x8

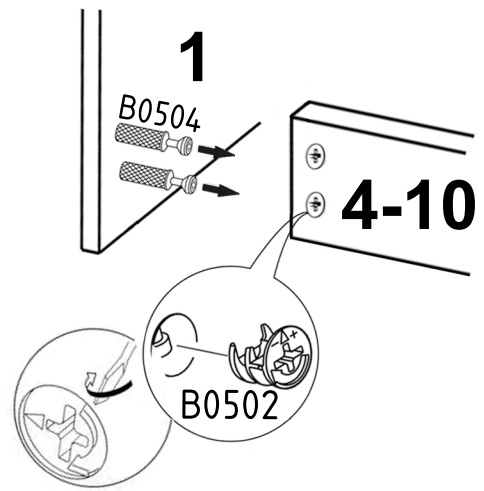
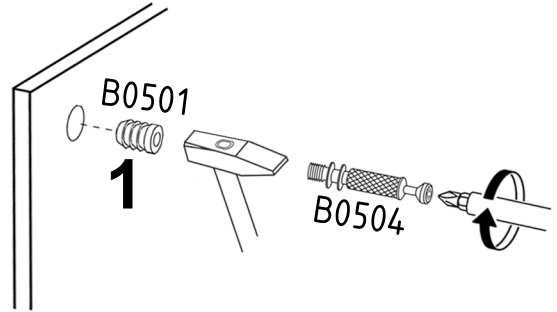
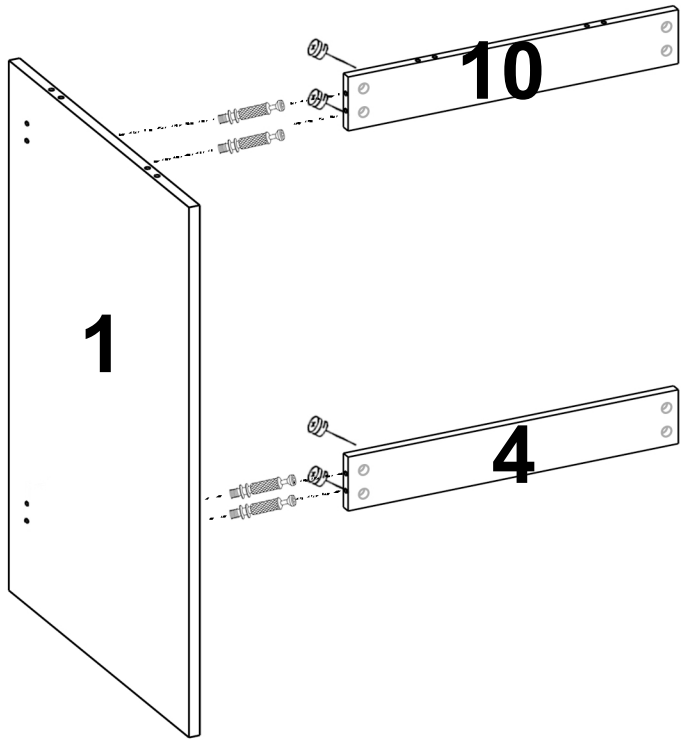
B0501



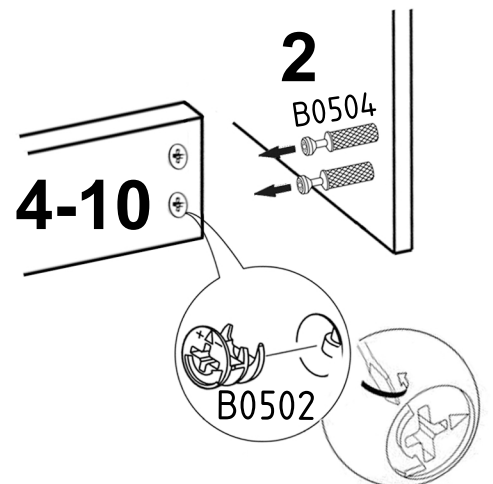
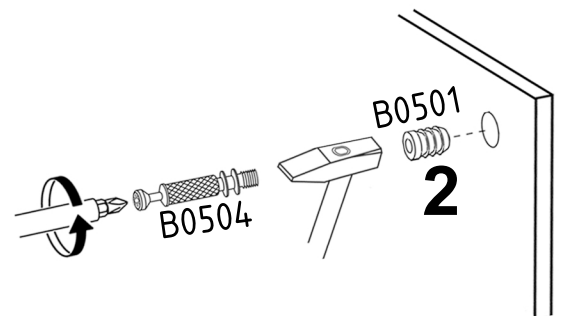
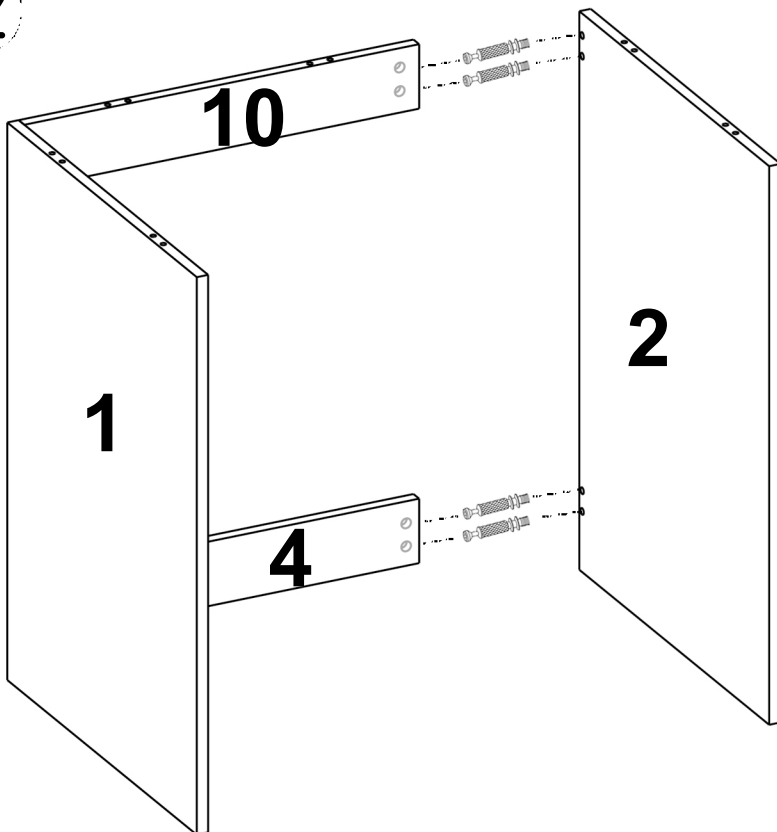
x8



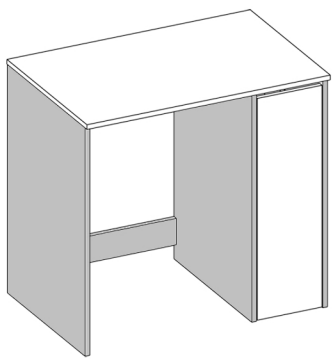
1



2



3

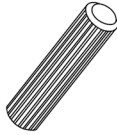


B0502



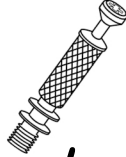
x4

B0503



x4

B0504

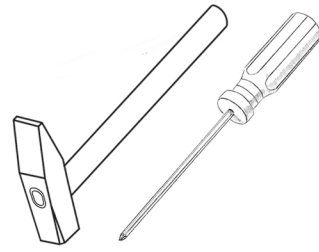


x4

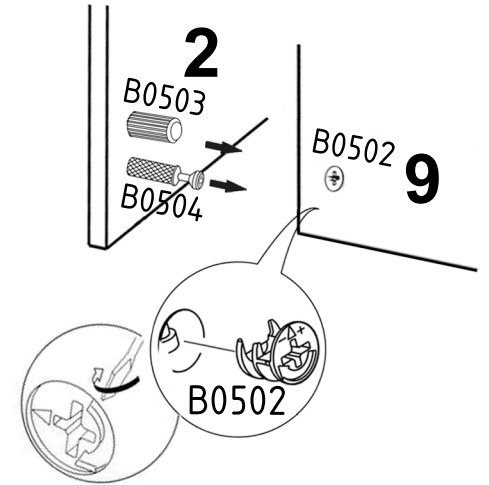
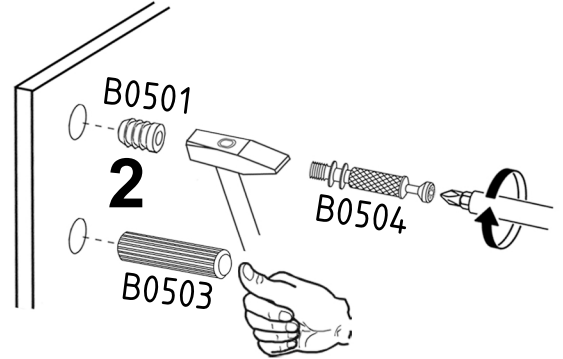
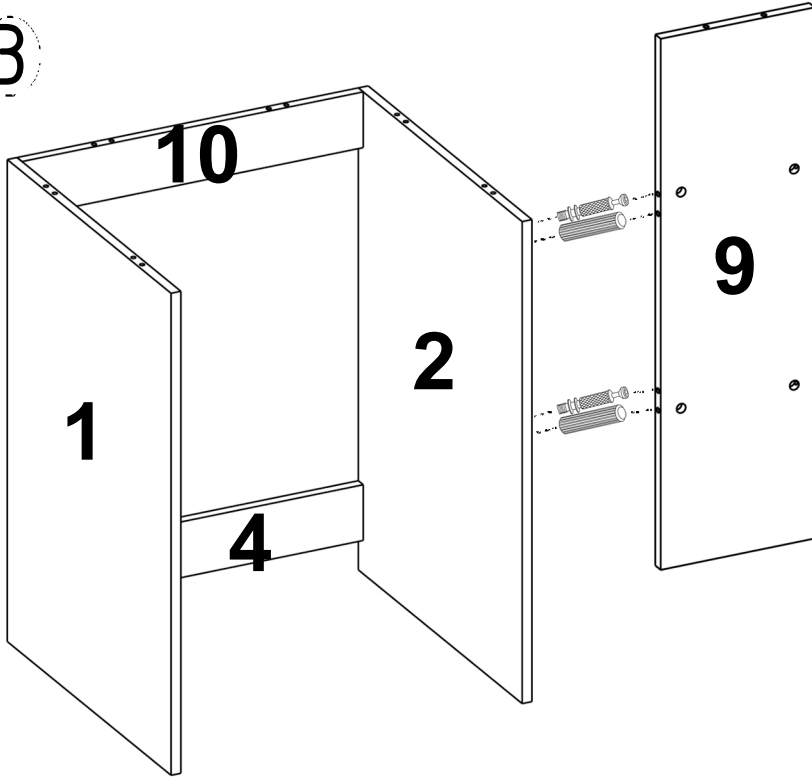
B0501



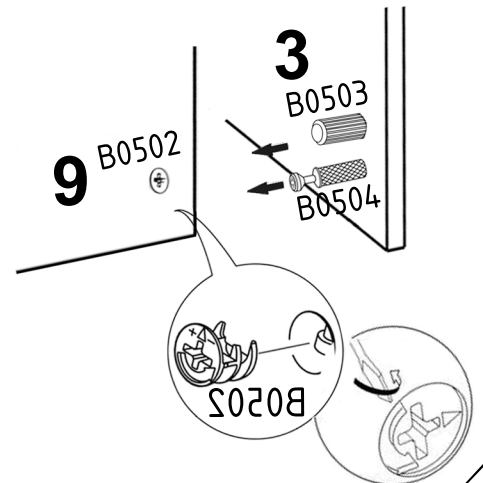
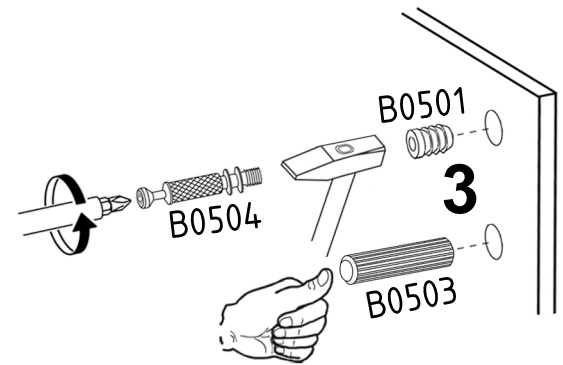
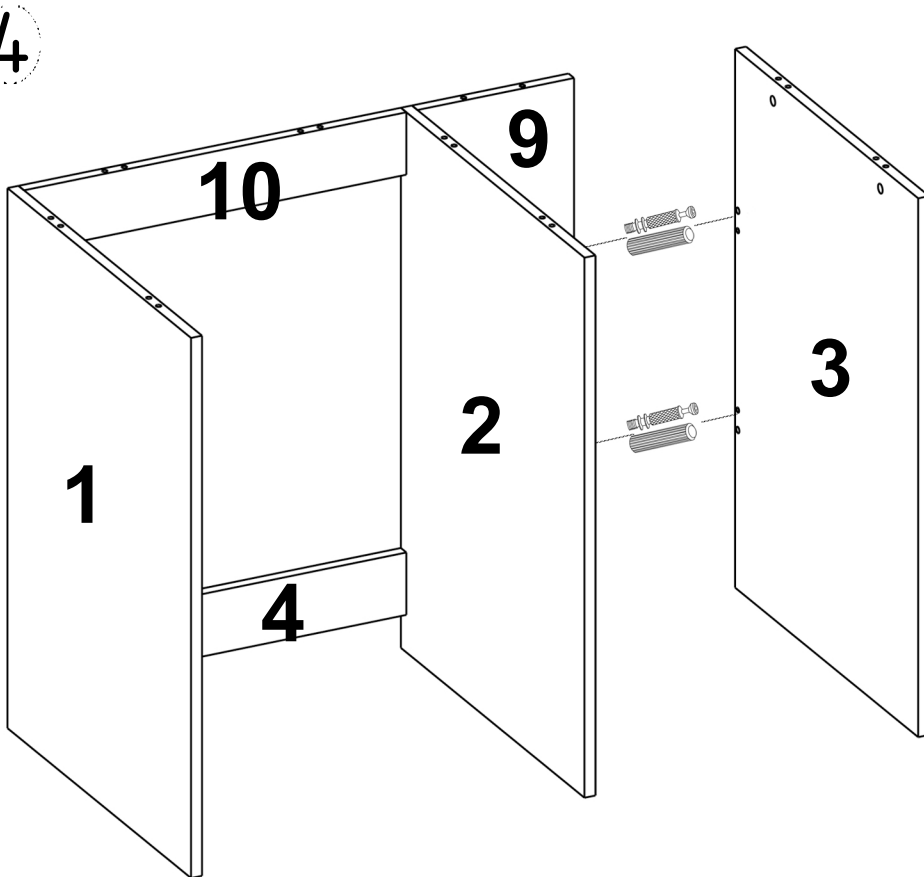
x4



3

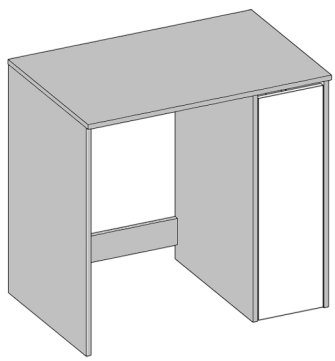


4



4





B0502

B0503

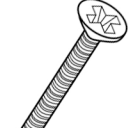
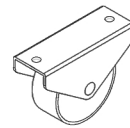
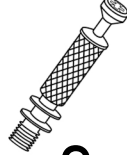
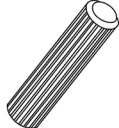
B0504

B0501

B1501

B0301

B0304



x8

x10

x8

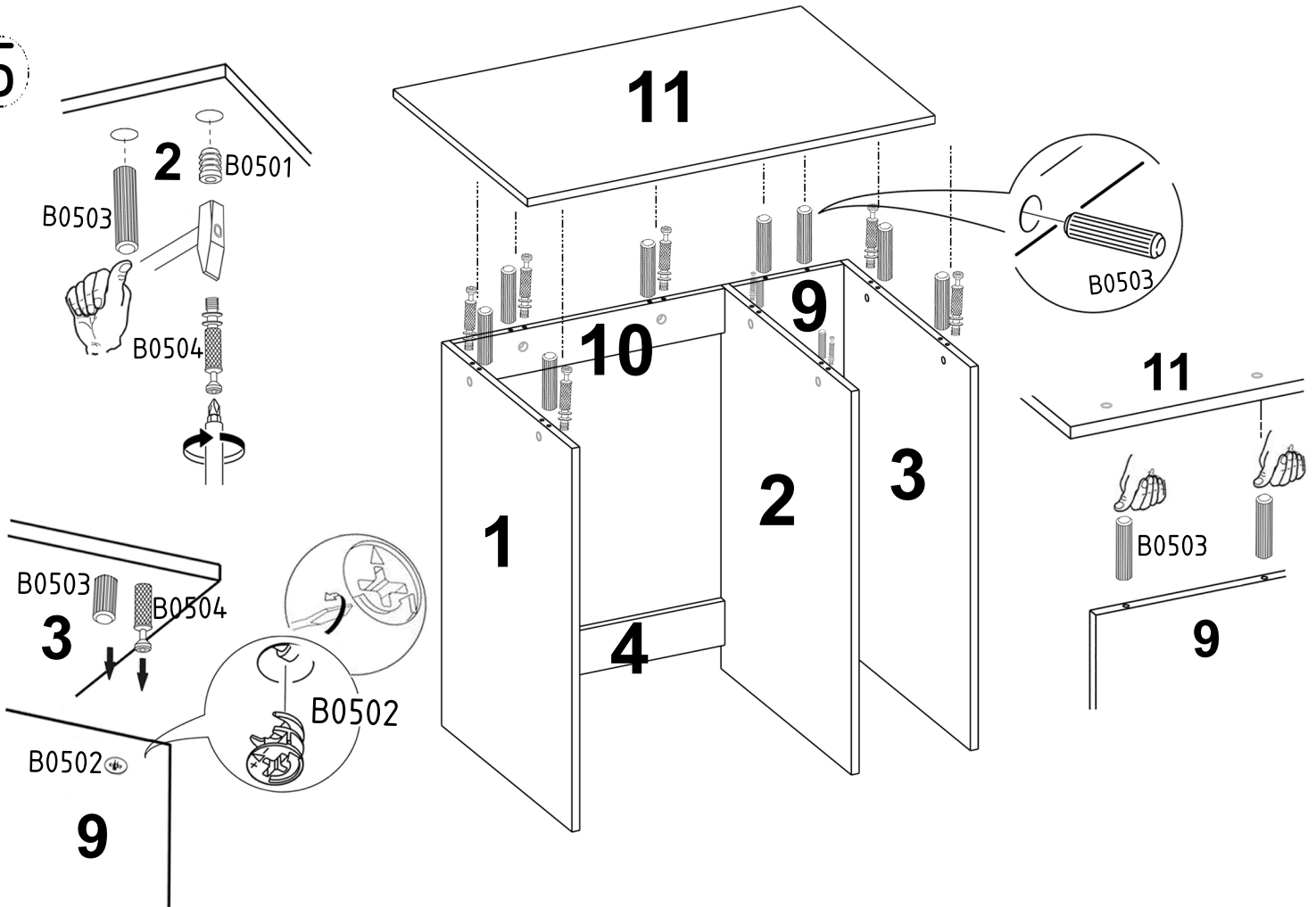
x8

x4

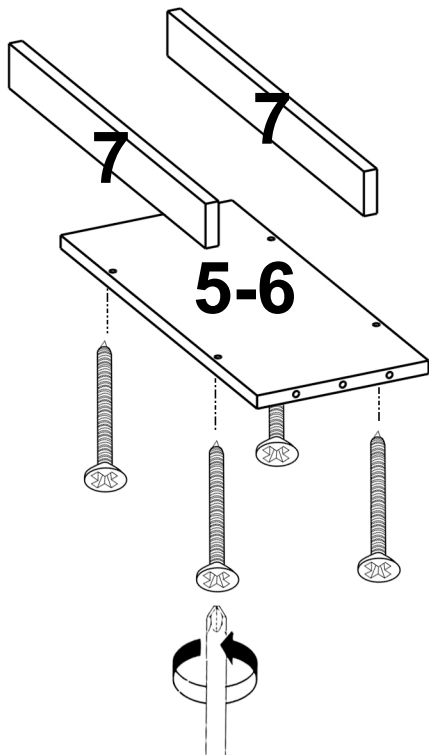
x8

x12

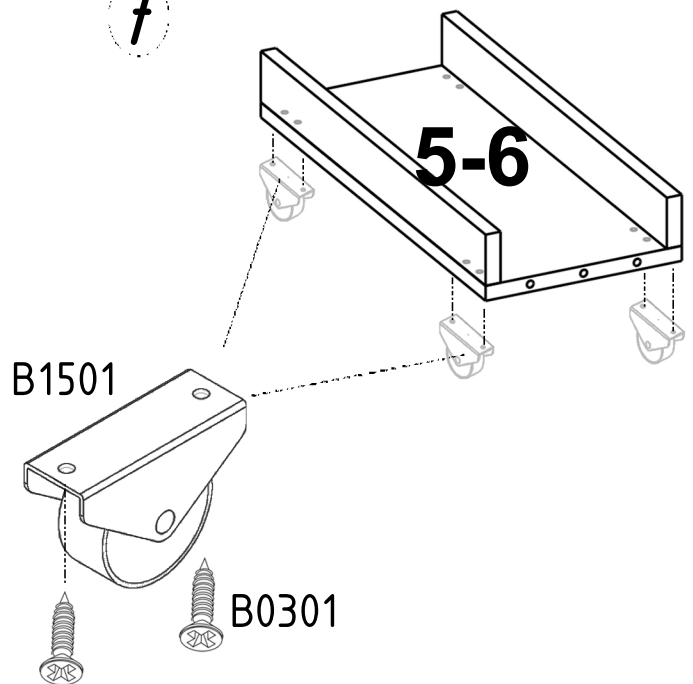
5

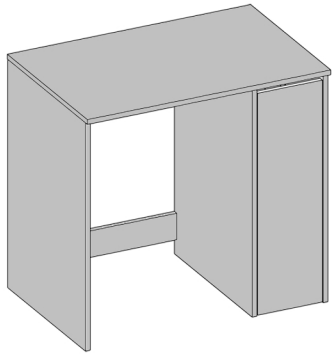


6



7





B0502

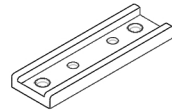
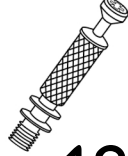
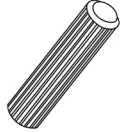
B0503

B0504

B0501

B2201

B0318



x12

x6

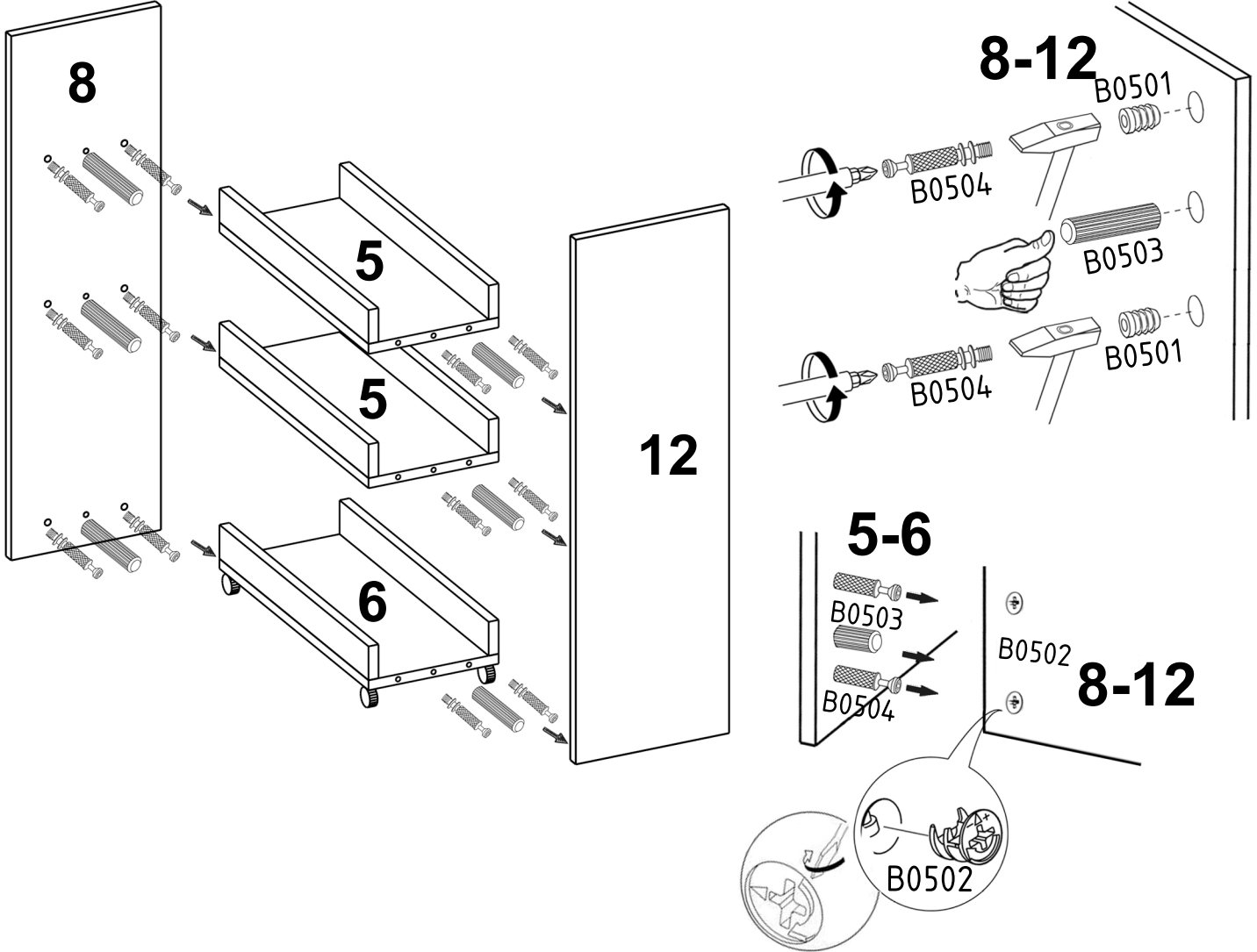
x12

x12

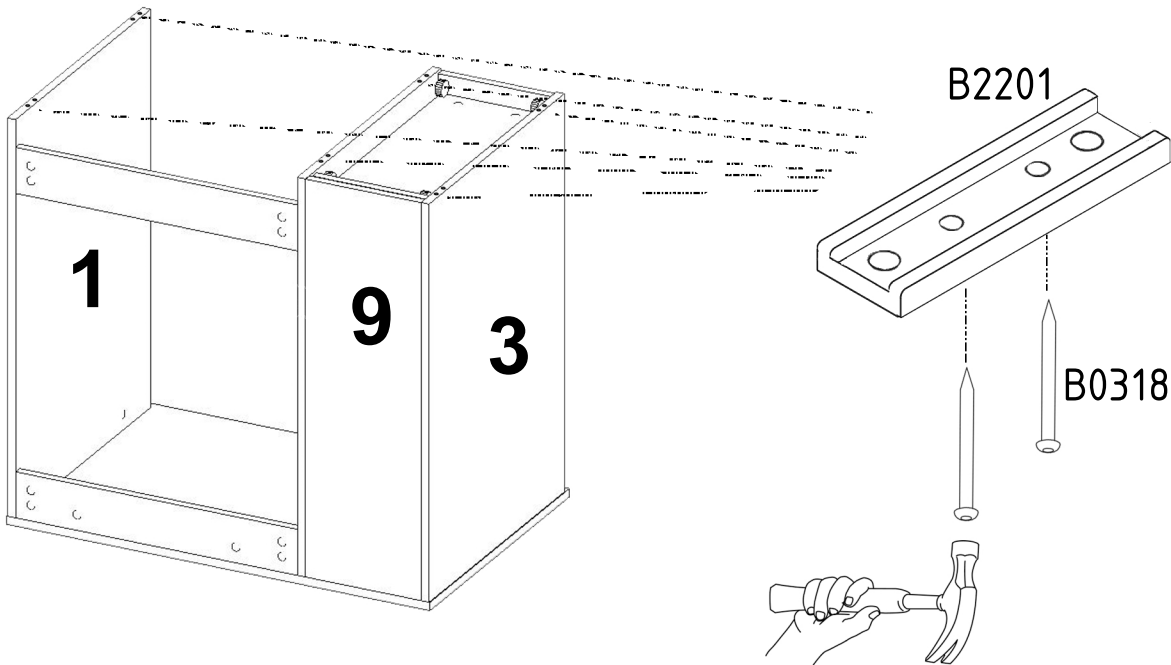
x6

x12

7



8



6