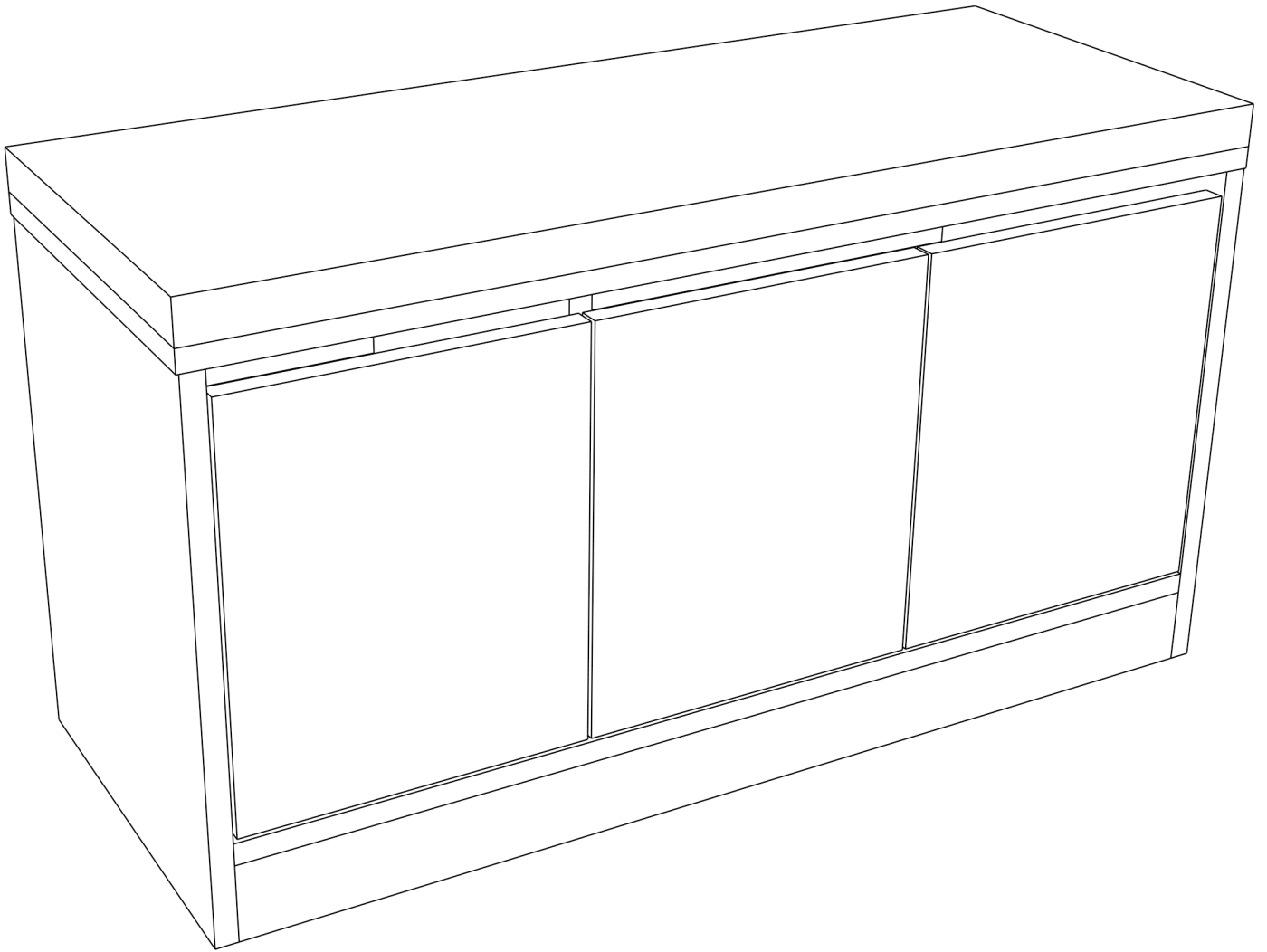


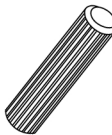

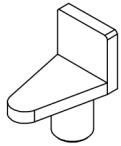
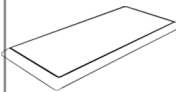
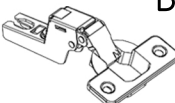

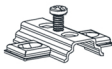


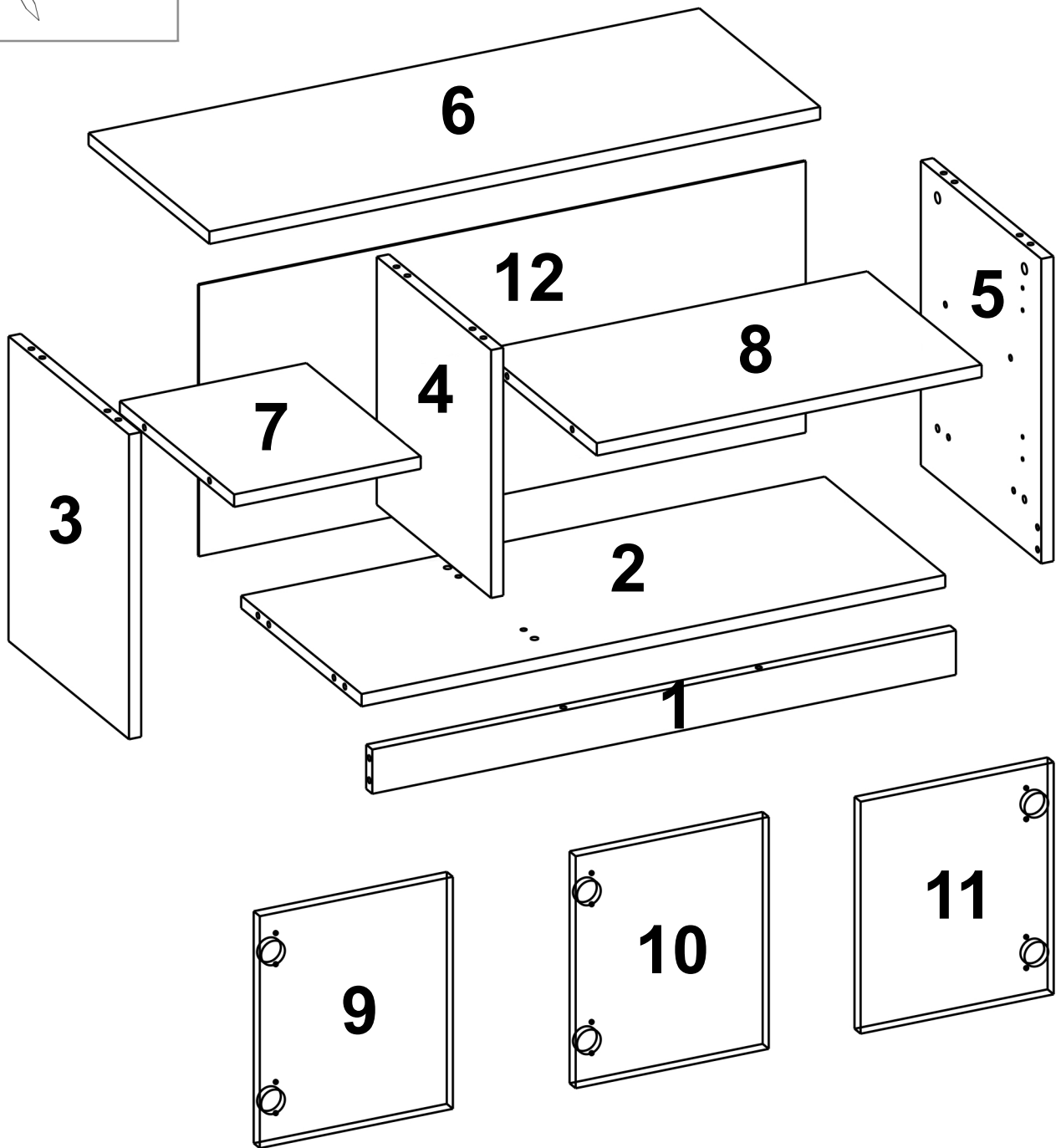
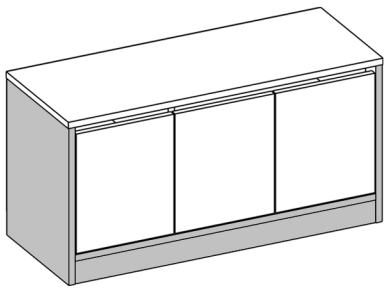


# MR2



|  |   |   |  |  |
|--|---|---|--|--|
|  B0501<br>x12  |  B0502<br>x12 |  B0503<br>x18 |  B0504<br>x12 |  B0508<br>x8   |
|  B2302<br>x1   |  B0103<br>x4 |  B0102<br>x2 |  B0105<br>x6 |  B0301<br>x25 |
|  B0318<br>x18 |   |   |  |  |



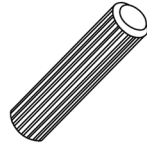


B0502



x4

B0503



x10

B0504

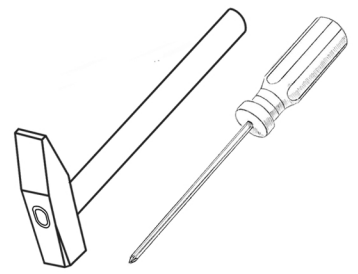


x4

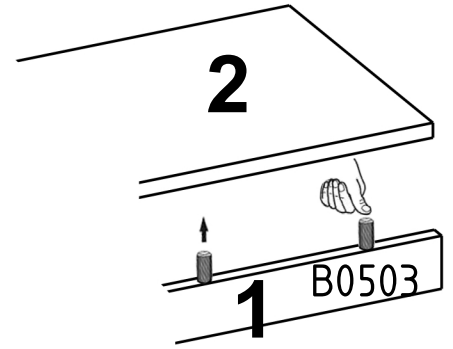
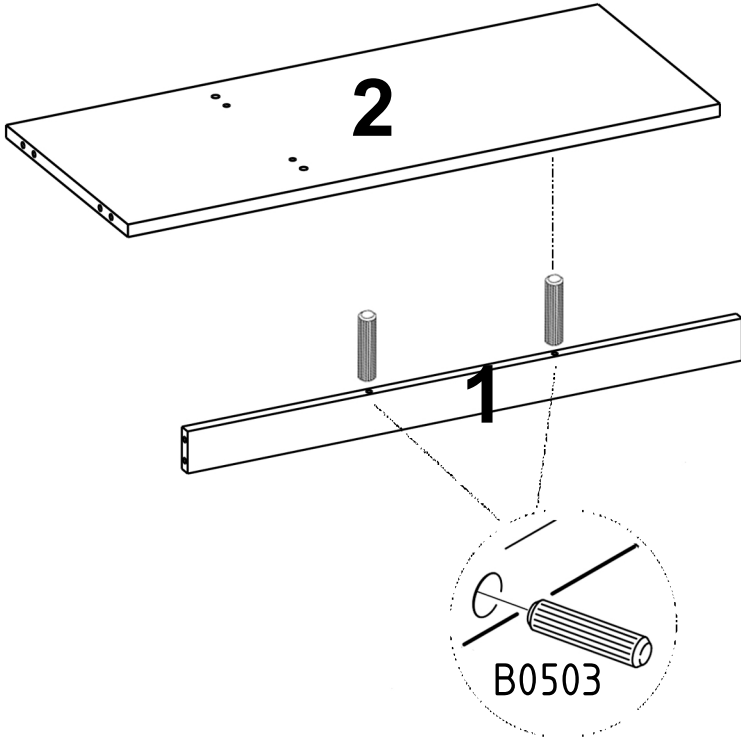
B0501



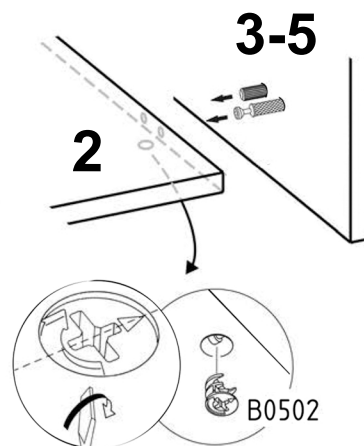
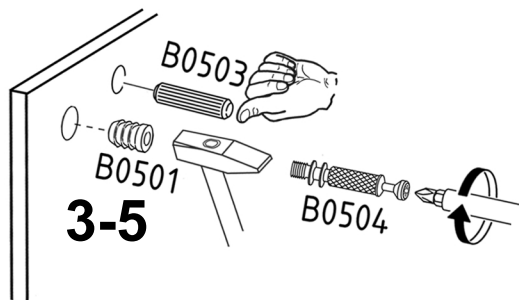
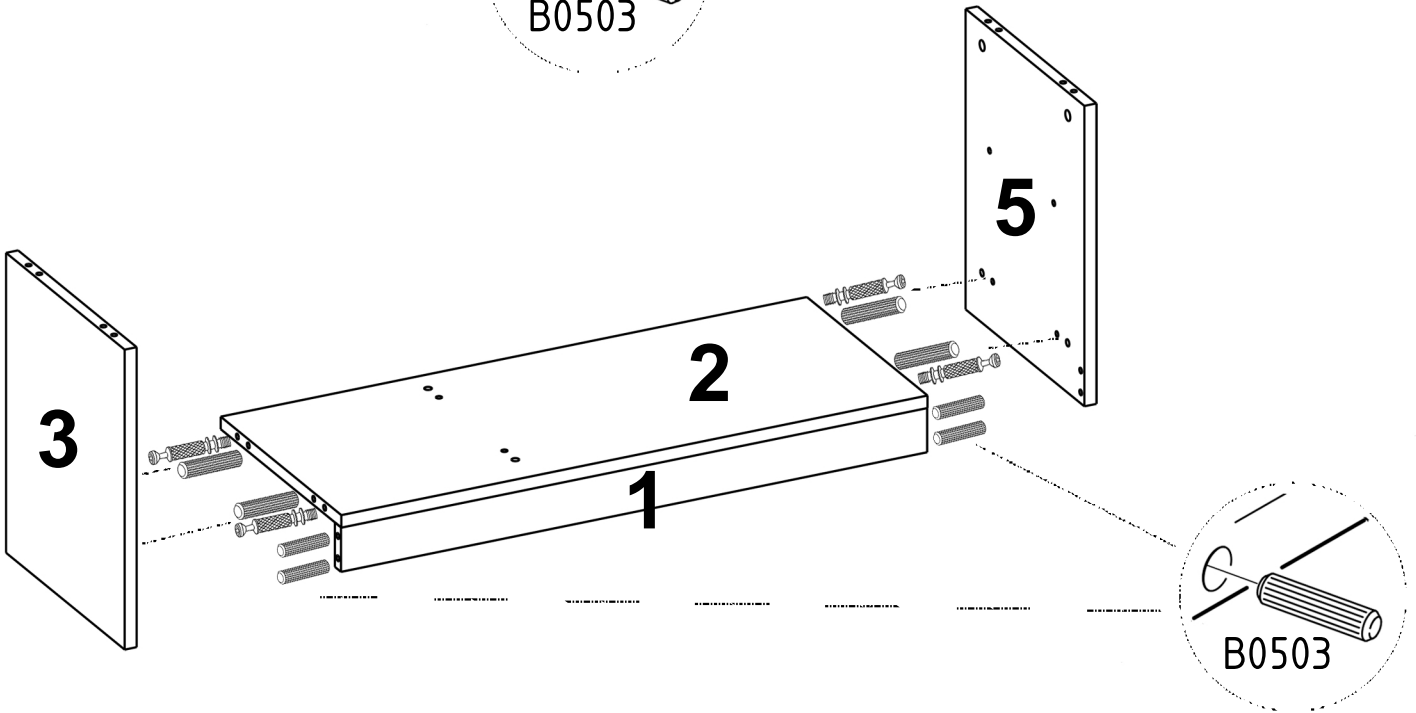
x4



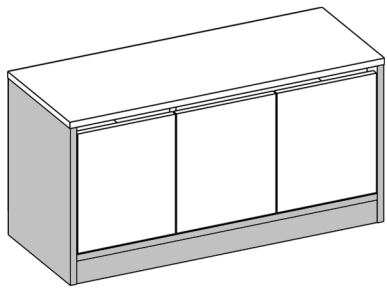
1



2



3

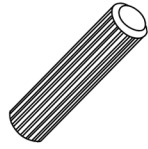


B0502



x2

B0503



x2

B0504



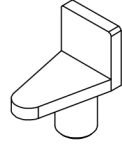
x2

B0501

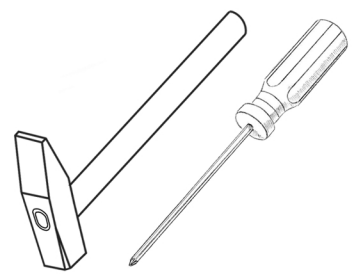


x2

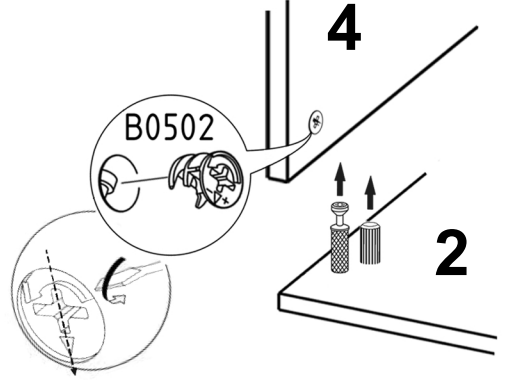
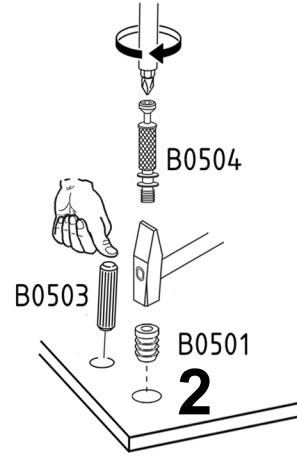
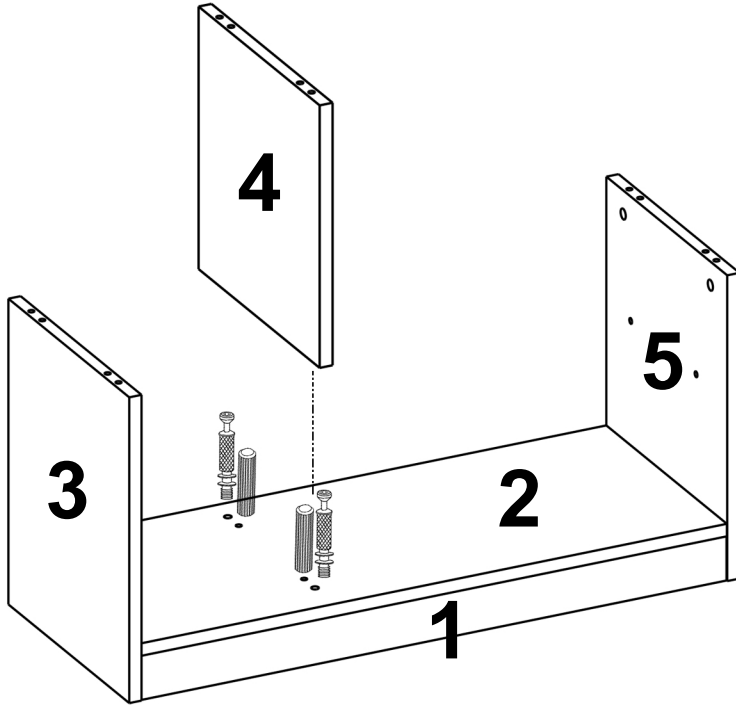
B0508



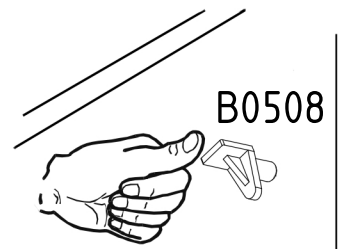
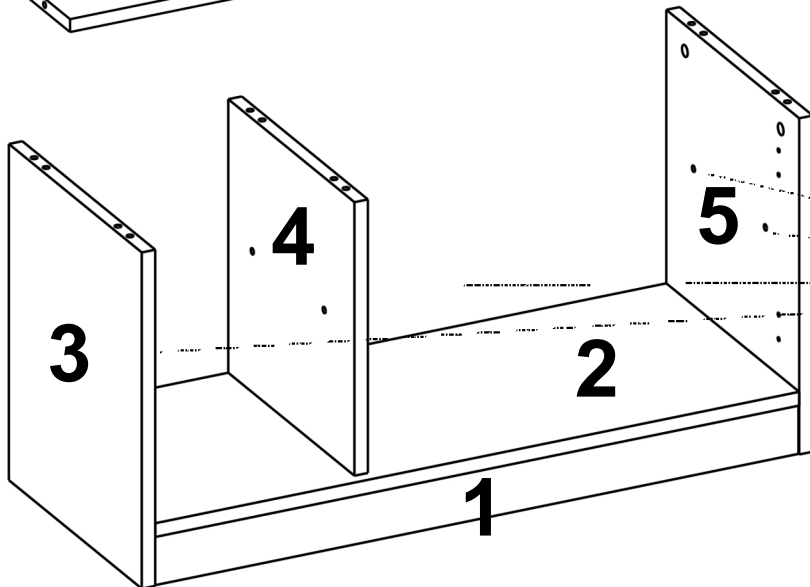
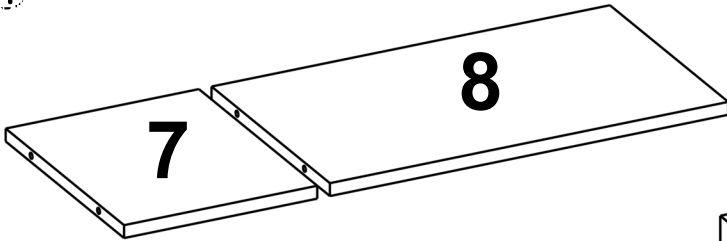
x8



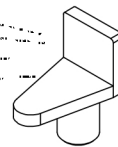
3



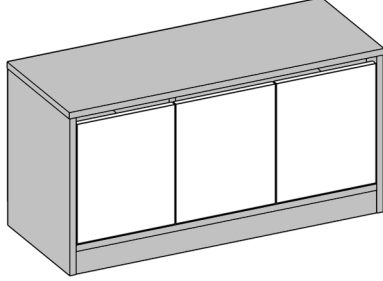
4



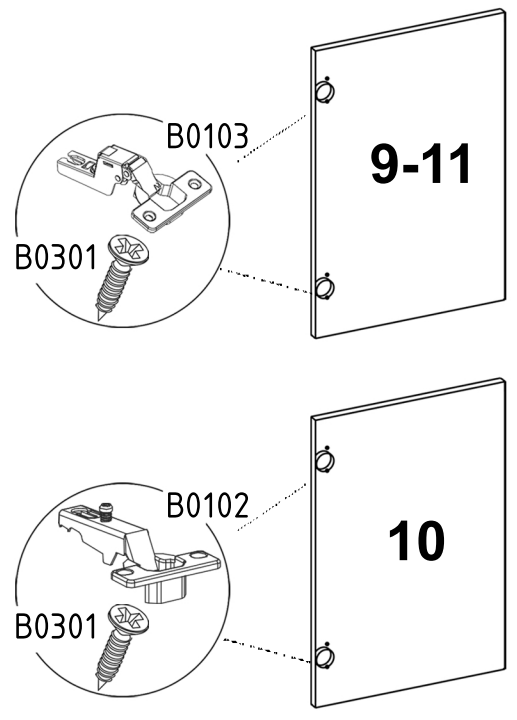
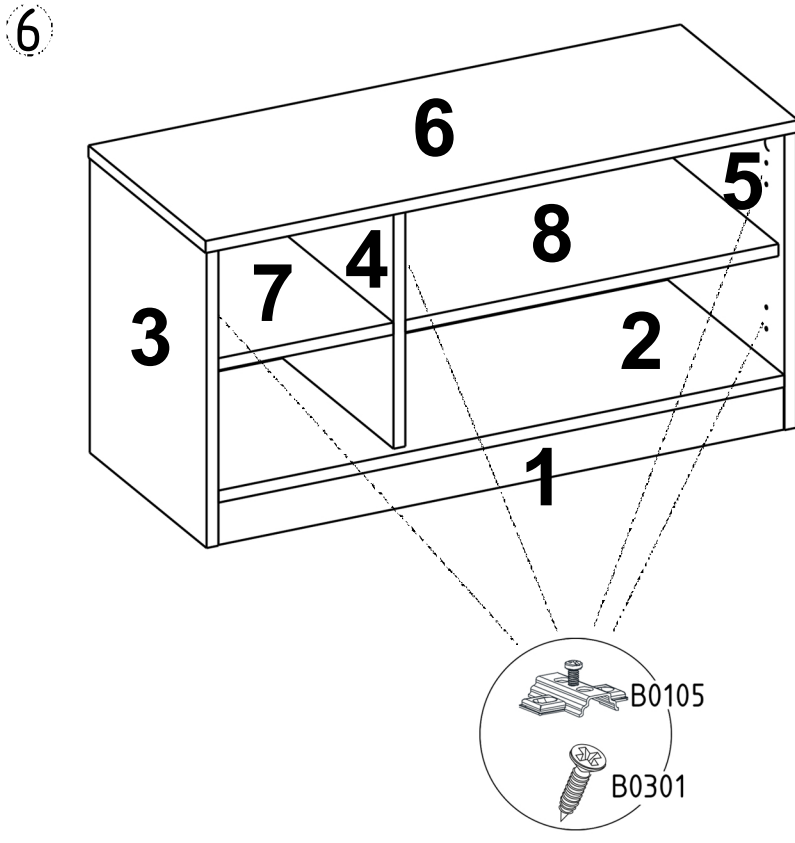
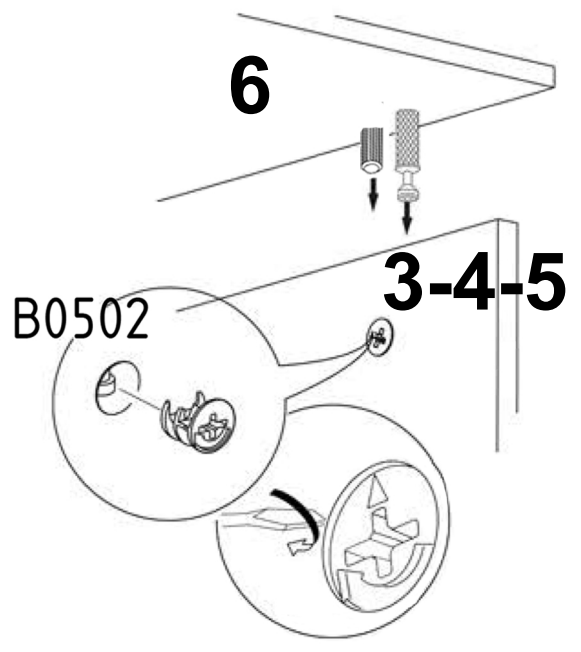
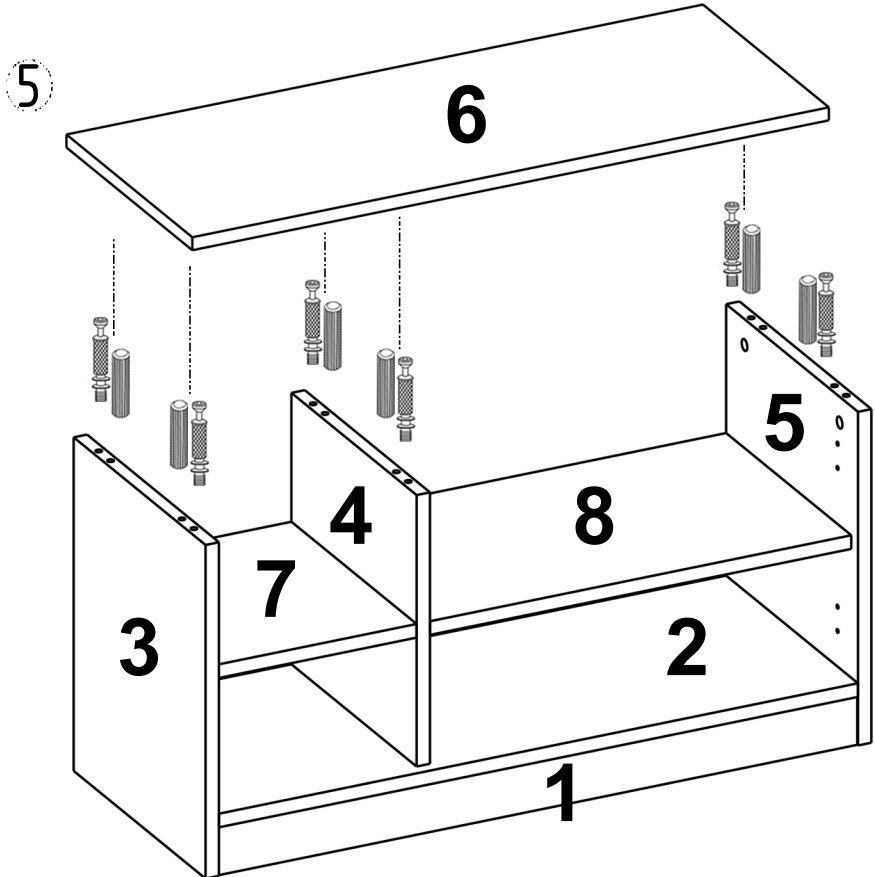
B0508

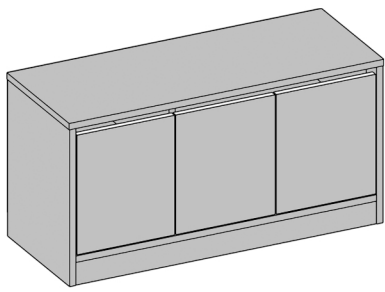






- |       |       |       |       |       |       |       |       |
|-------|-------|-------|-------|-------|-------|-------|-------|
| B0502 | B0503 | B0504 | B0501 | B0103 | B0102 | B0105 | B0301 |
|       |       |       |       |       |       |       |       |
| x6    | x6    | x6    | x6    | x4    | x2    | x6    | x24   |

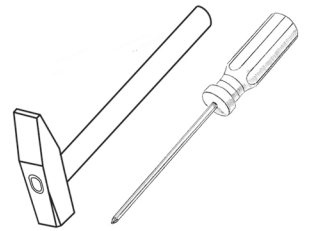




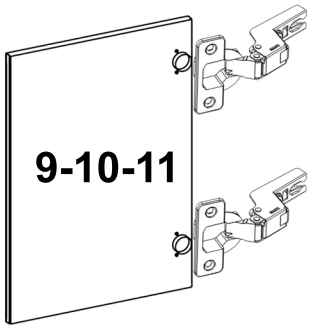
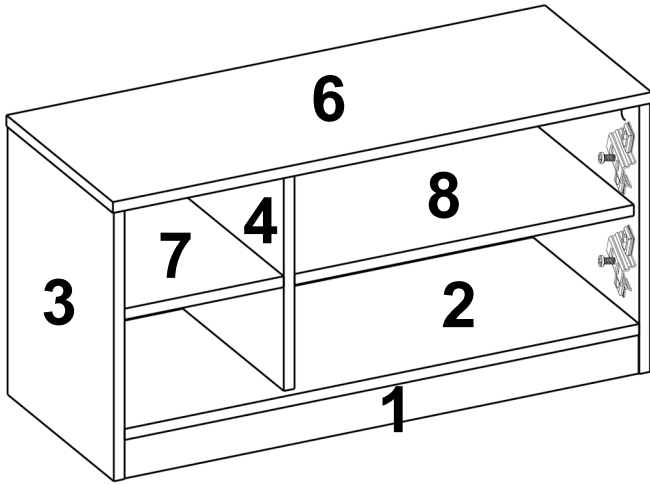
B0318



x18



11



12

