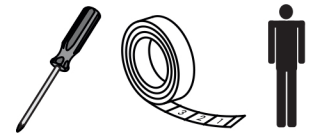





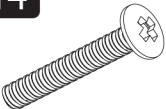


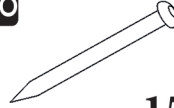

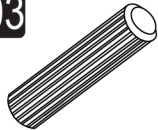


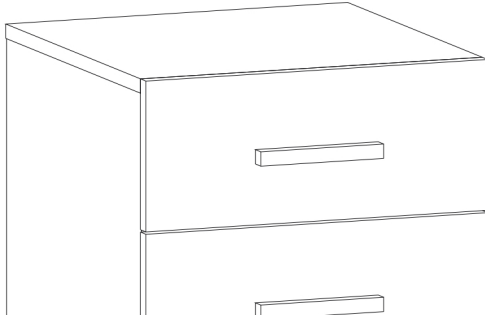

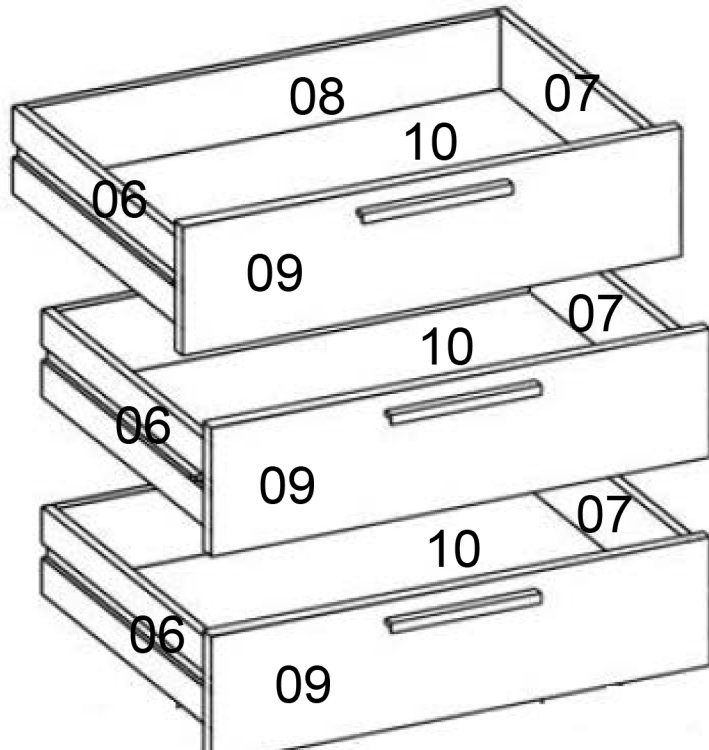


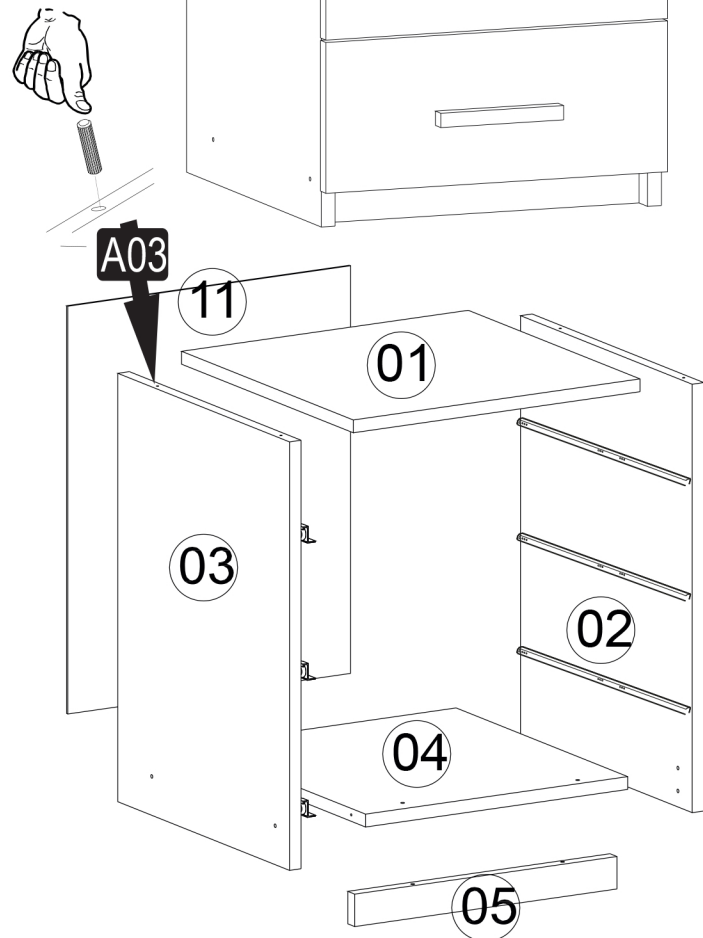
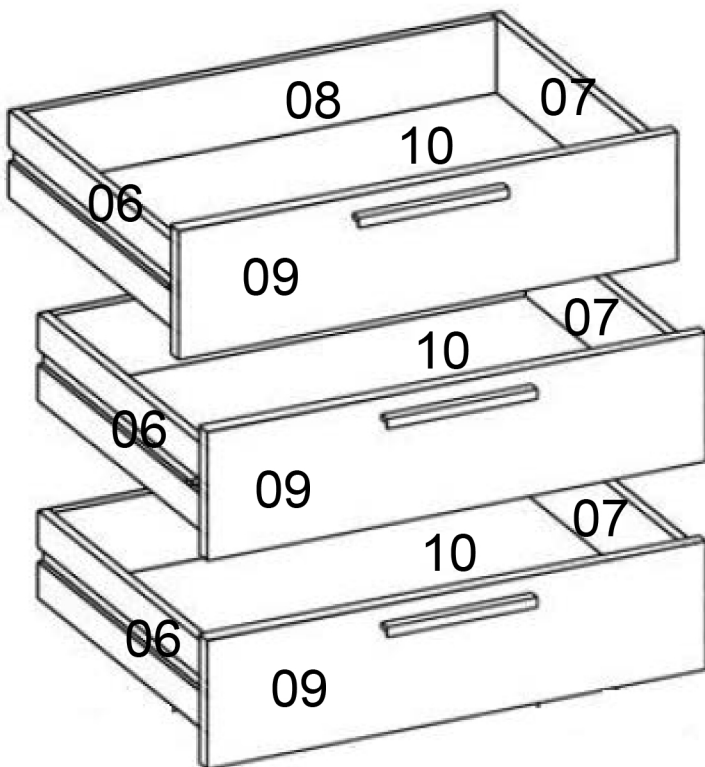
# Vario C

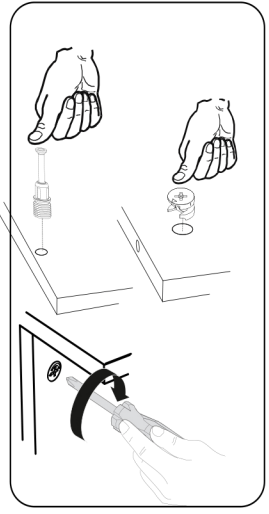
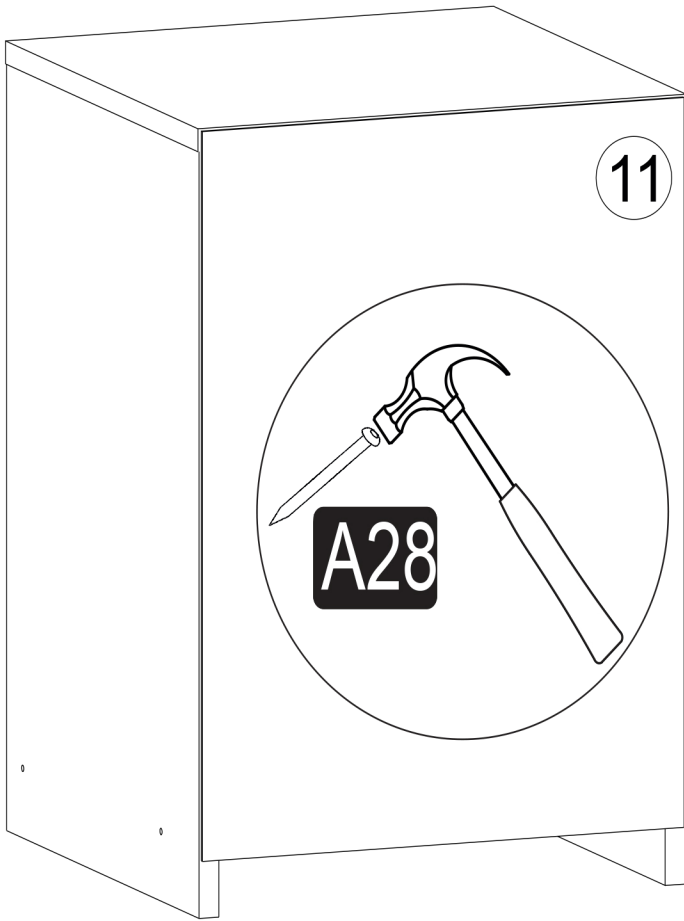
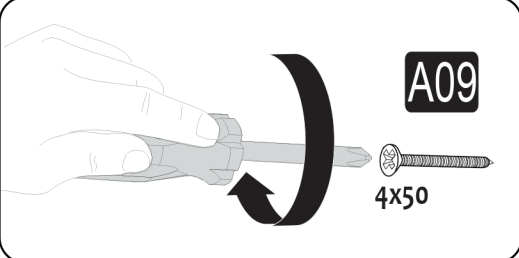
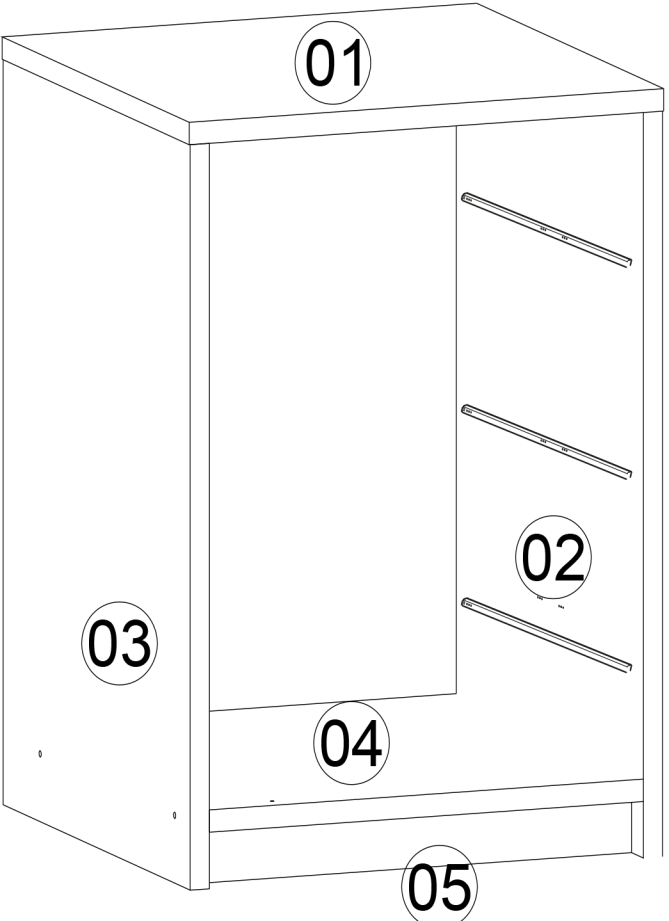
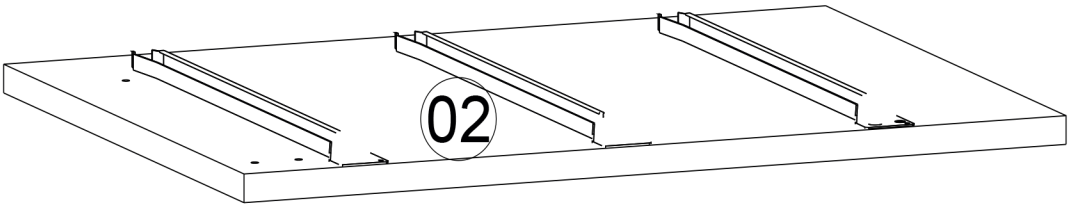
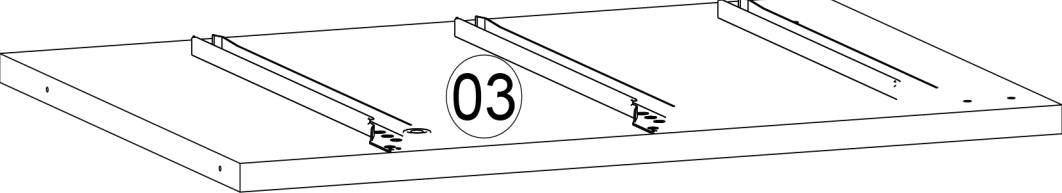


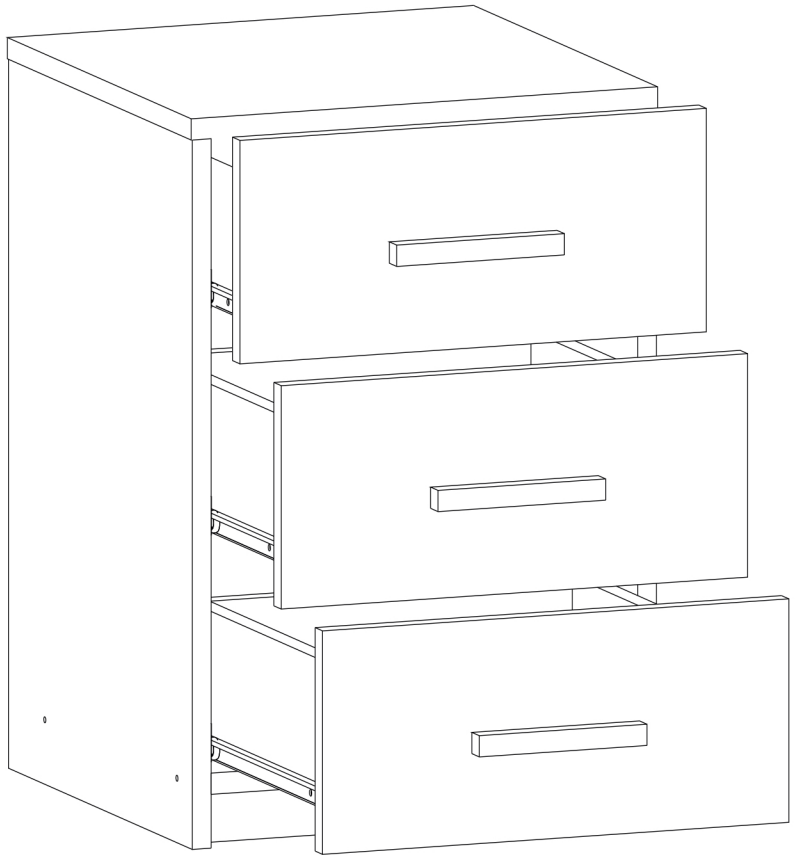
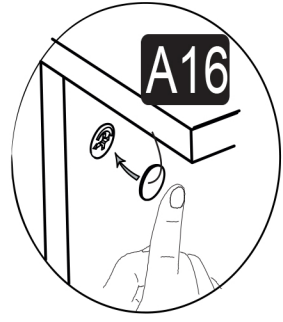
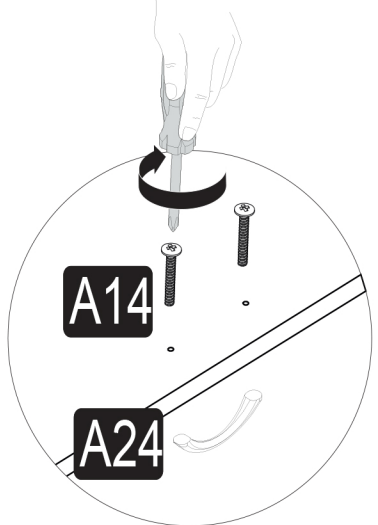
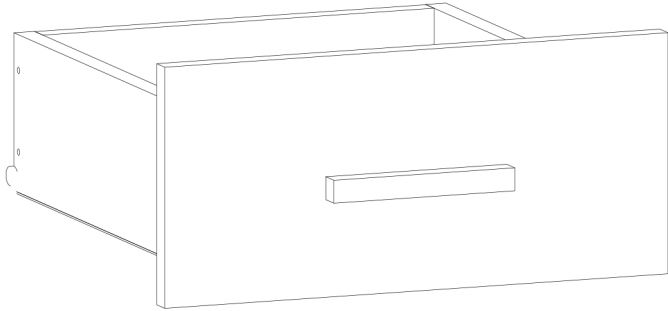
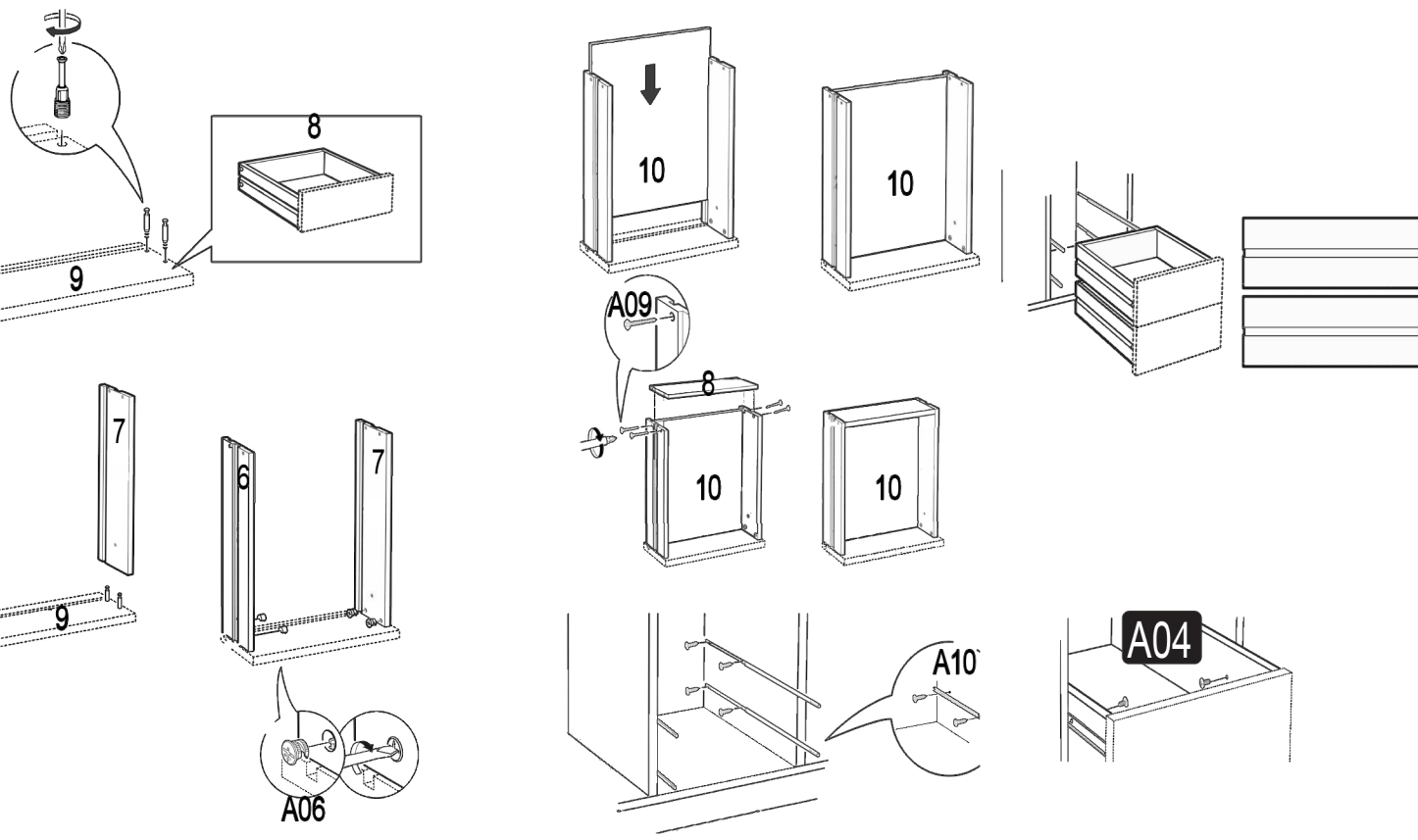
# Vario C



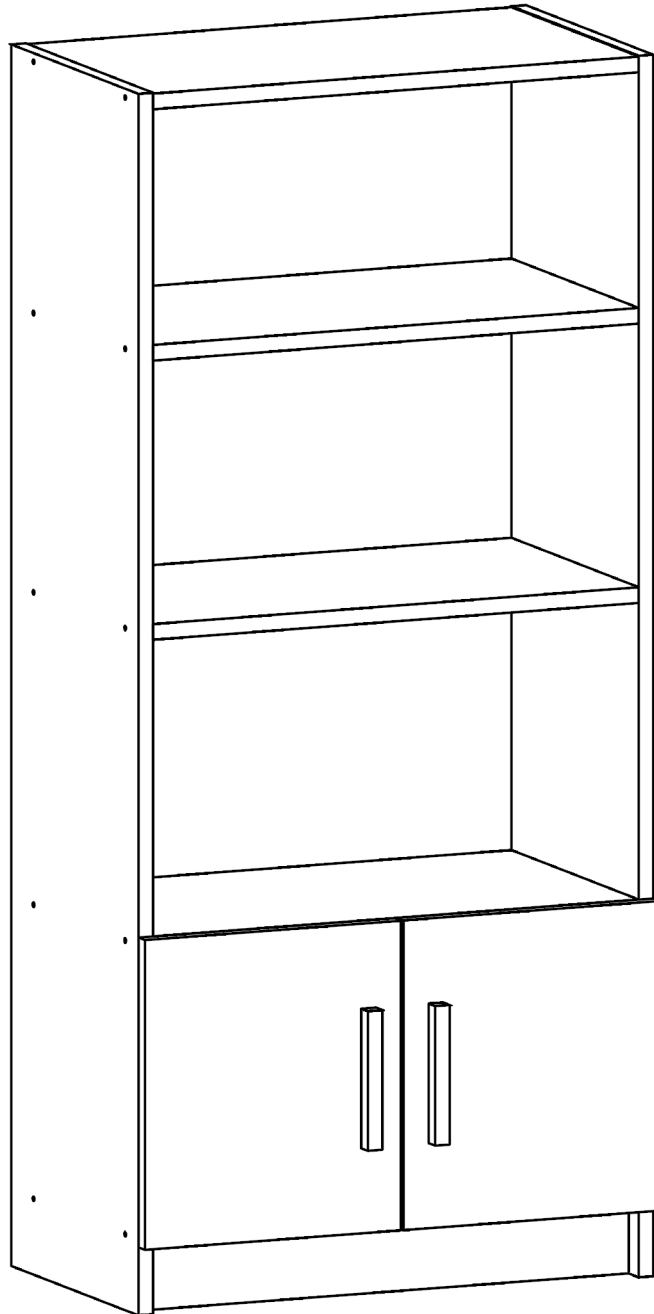
<b>A01</b>  <b>4x</b>	<b>A02</b>  <b>4x</b>	<b>A70</b>  <b>4x</b>	<b>A09</b> 4x50  <b>18x</b>	<b>A10</b> 3,5x18 YHB  <b>14x</b>
<b>A14</b> M4x22  <b>6x</b>	<b>A16</b>  COLOUR 1 <b>6x</b> COLOUR 2 <b>x</b>	<b>A24</b> 96 mm  <b>3x</b>	<b>A28</b>  <b>15x</b>	<b>A59</b> 35 cm Ray  <b>6x</b>
<b>A03</b>  <b>4x</b>	<b>A04</b> 4x10  <b>6x</b>	<b>A05</b>  <b>12x</b>		
<b>A06</b> Mini Minifix  <b>12x</b>				




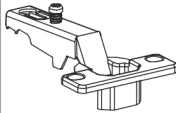
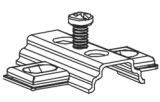





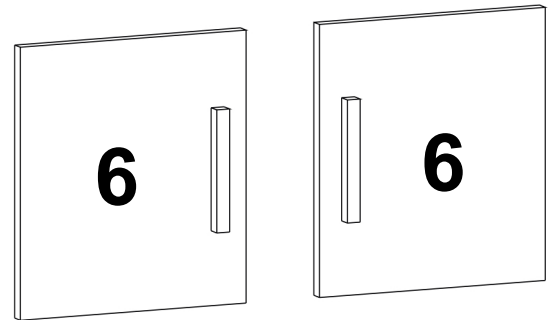
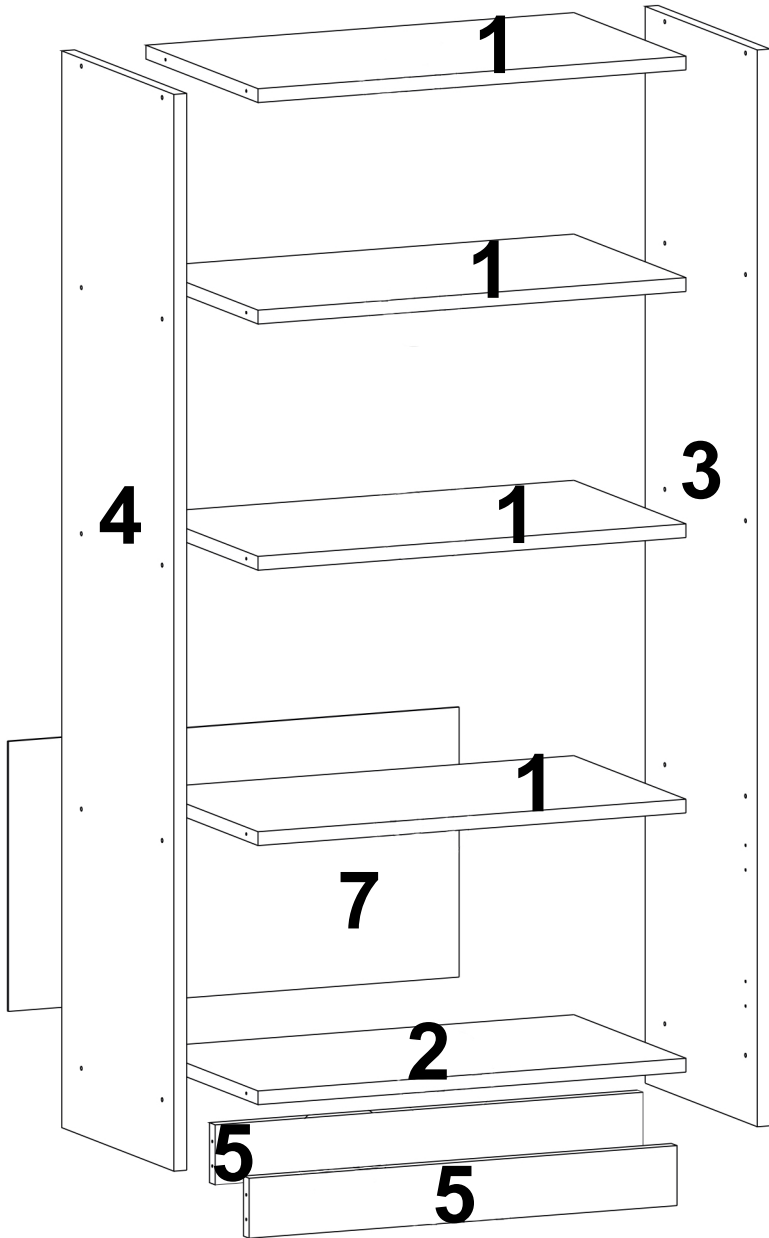


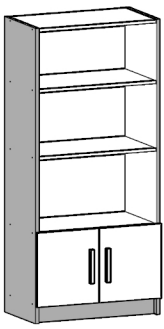


# VO4



 <p>B0301 x16</p>	 <p>B0304 x24</p>	 <p>B0307 x4</p>	 <p>B0101 x4</p>	 <p>B0105 x4</p>
 <p>B0318 x30</p>	 <p>COLOR 1 x24 COLOR 2</p>	 <p>B0205 x2</p>		

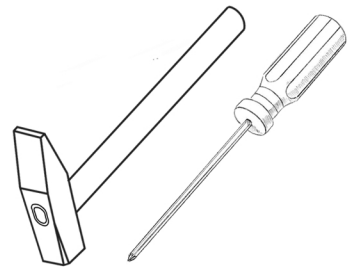




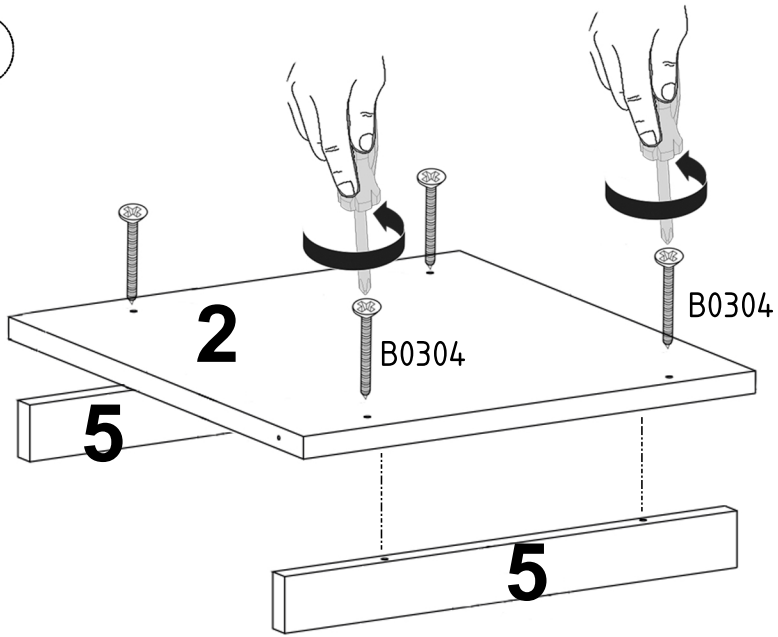
B0304



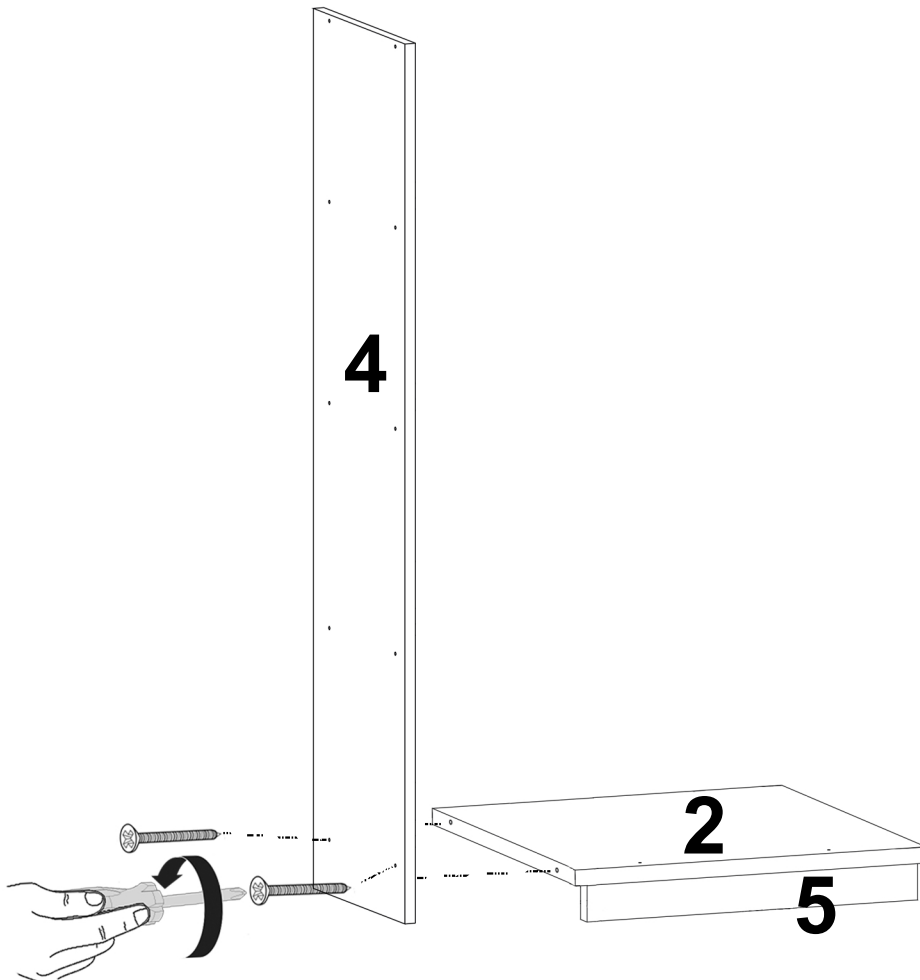
x6



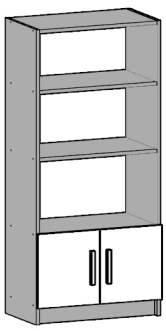
1



2



3

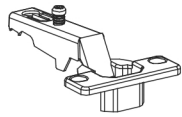


B0304



x18

B0101



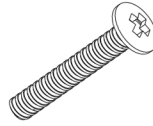
x4

B0301



x8

B0307

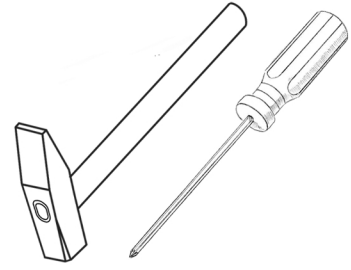


x4

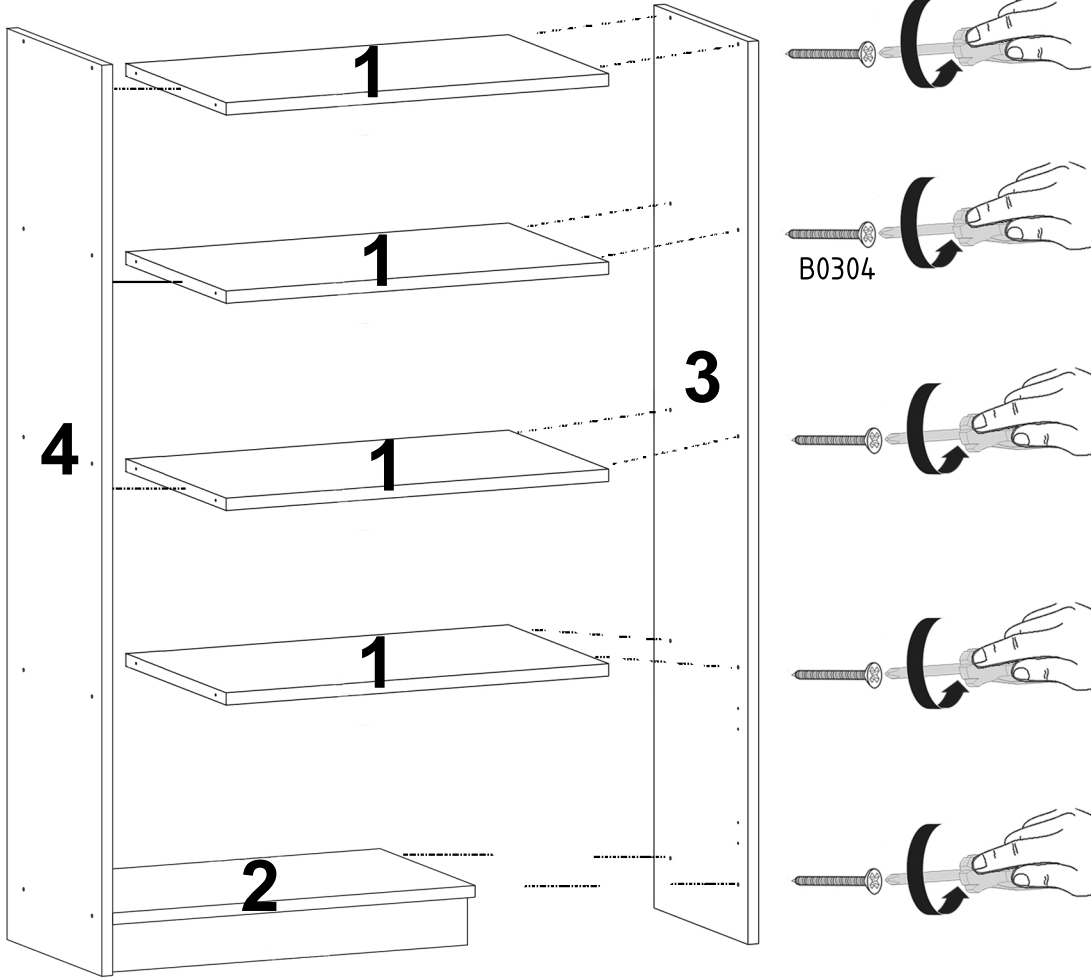
B0205



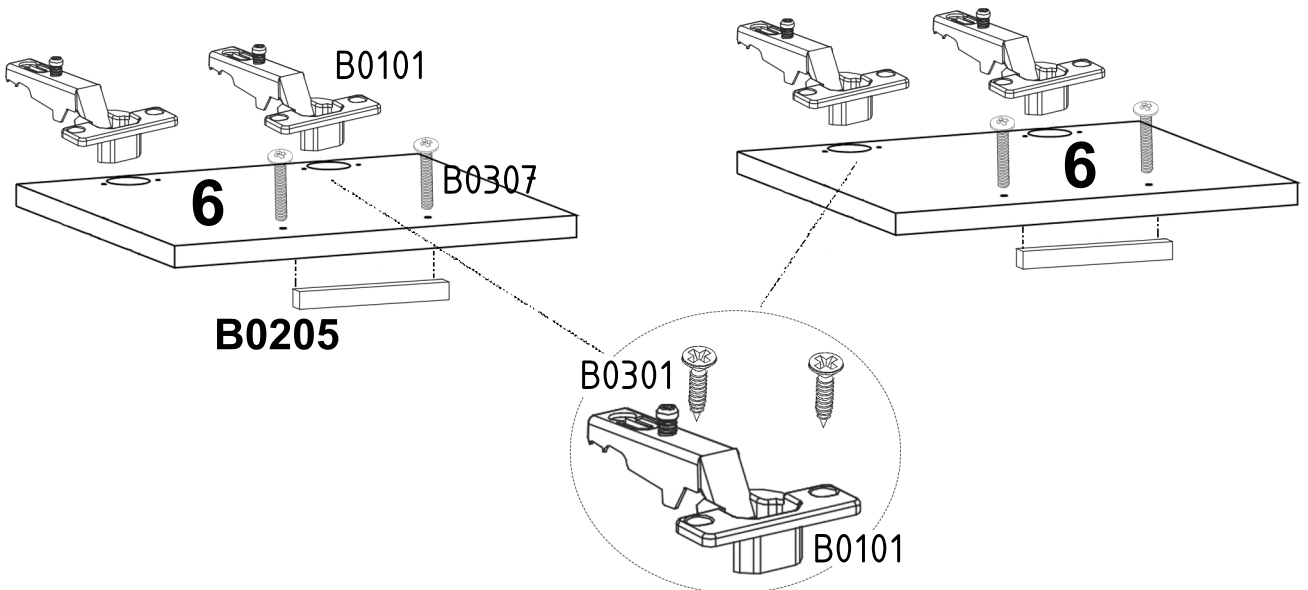
x2



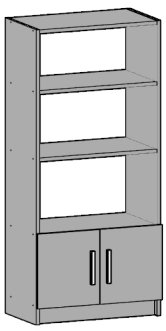
3



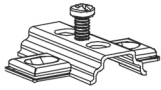
4







B0105



x4

B0301

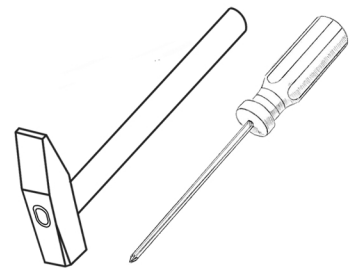


x8

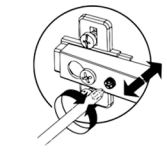
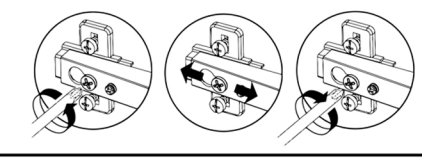
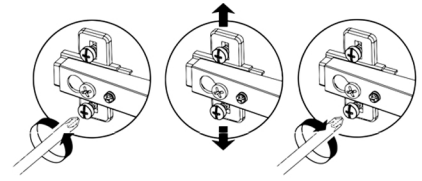
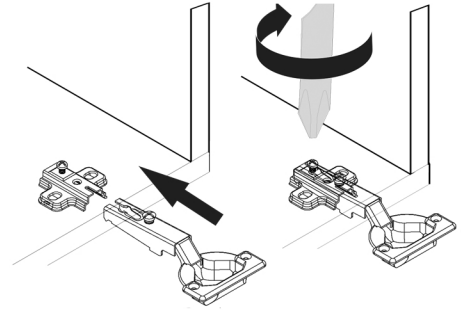
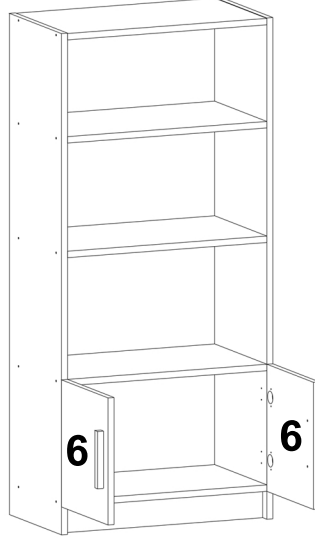
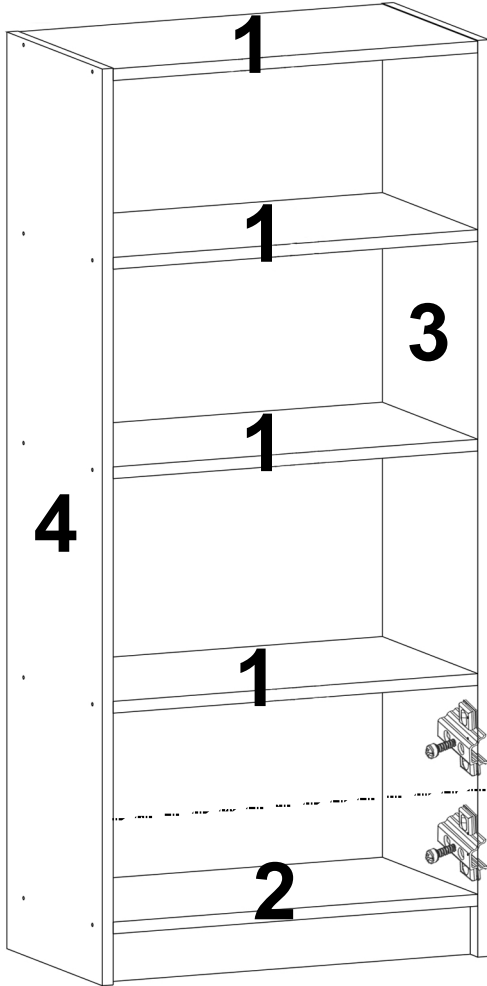
B0318



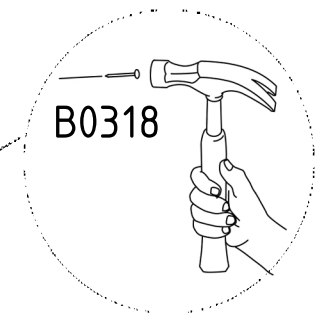
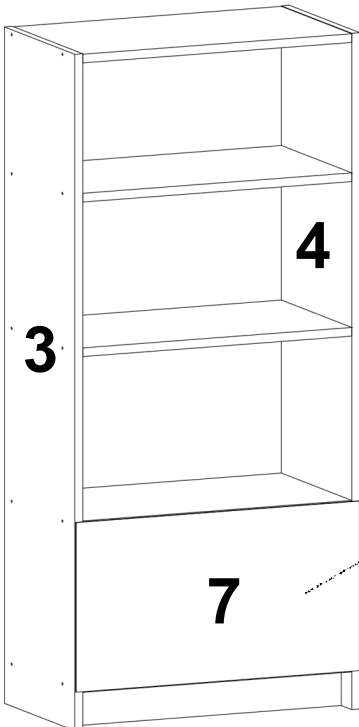
x30



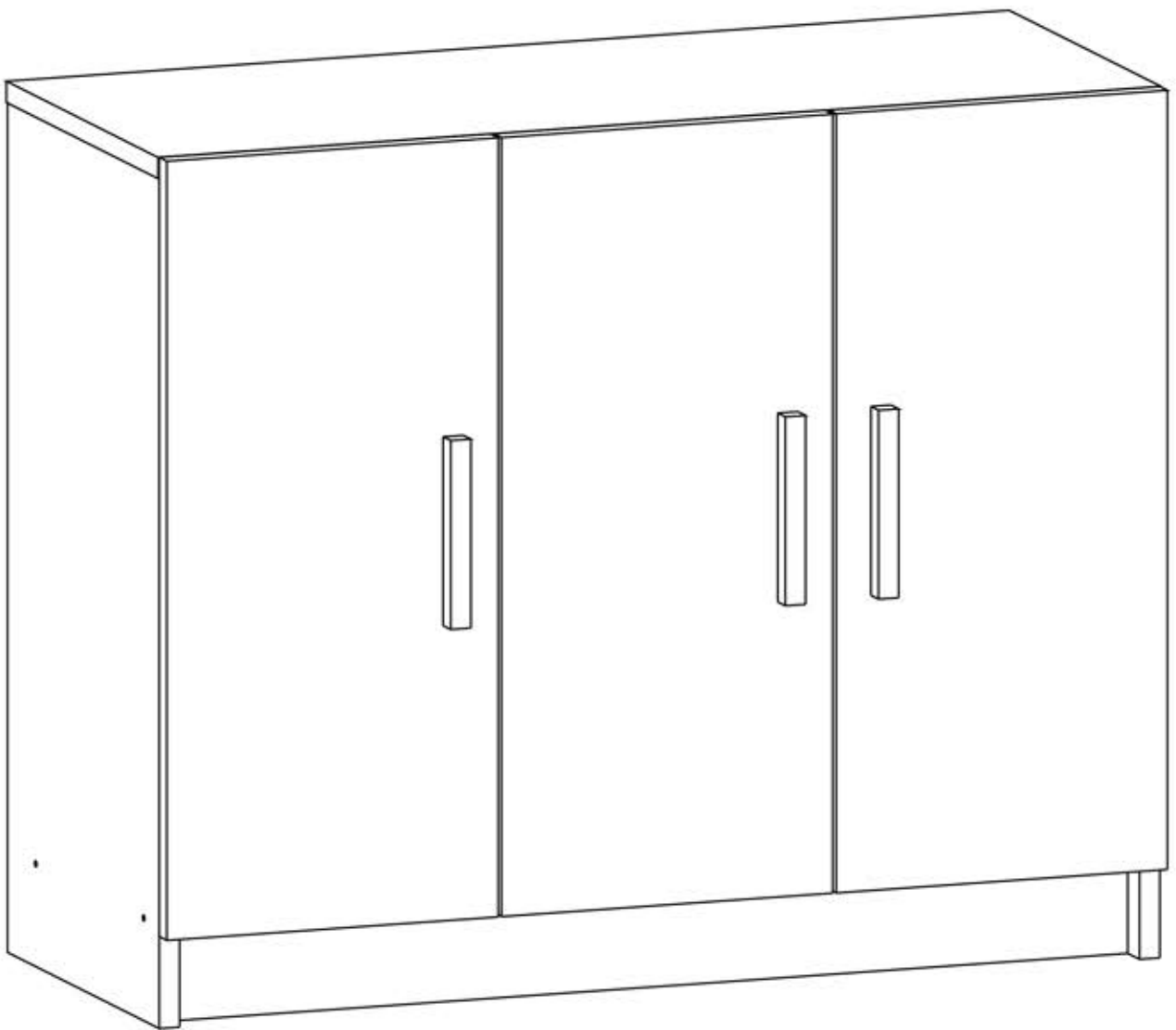
5
















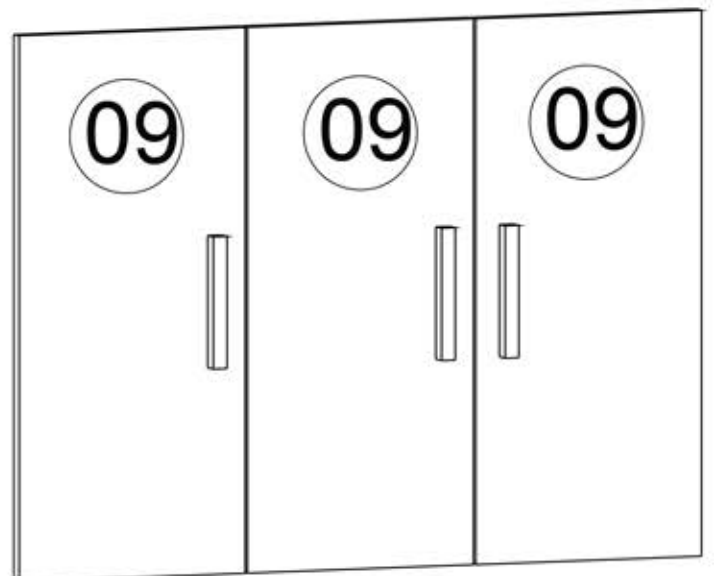
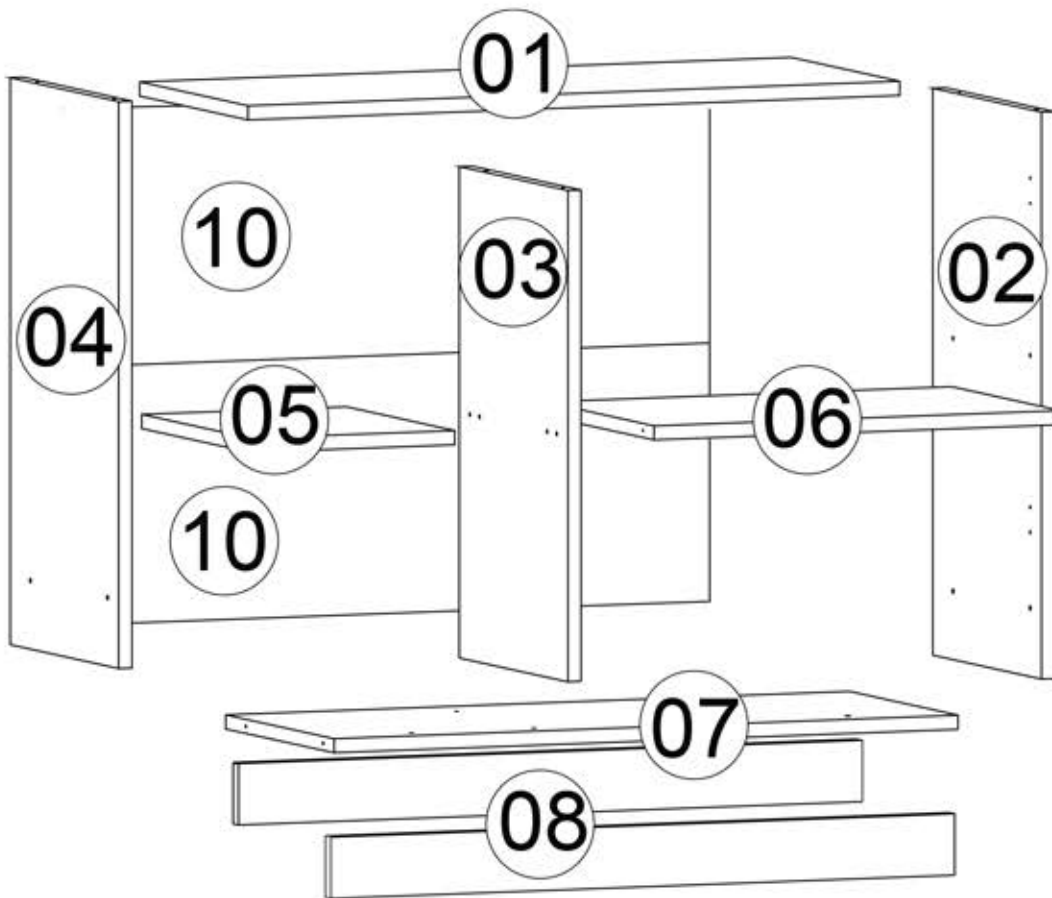
6



# V05



 B0501 x6	 B0502 x6	 B0503 x6	 B0504 x6	 B0301 x24
 B0304 x14	 B0307 x6	 B0205 x3	 B0105 x6	 B0101 x6
 B0508 x4	 B0318 x40	 COLOR1 x8 COLOR2 x		

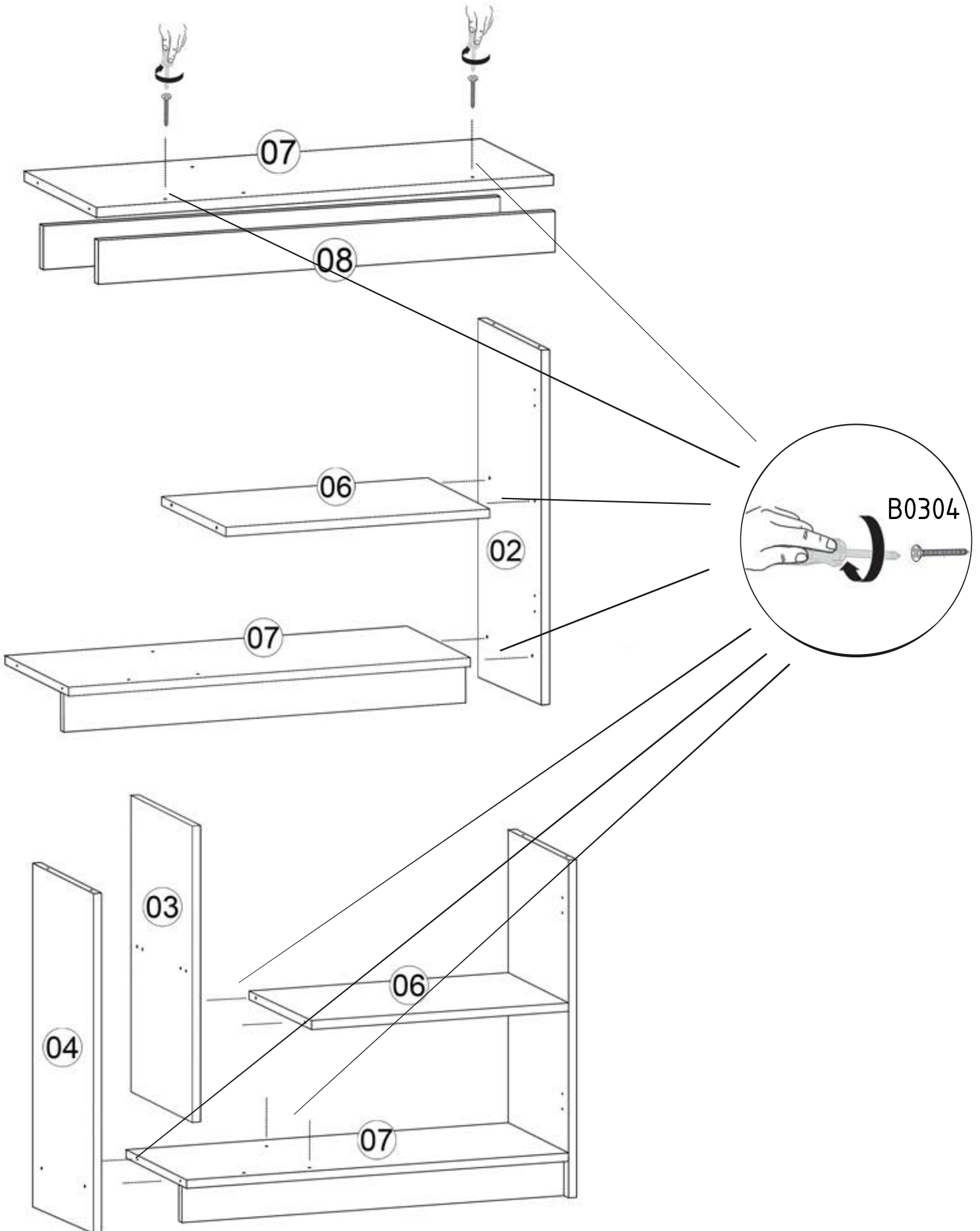




B0304



x14





B0501 B0502 B0503 B0504 B0508



x6



x6



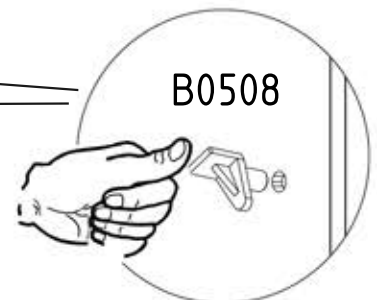
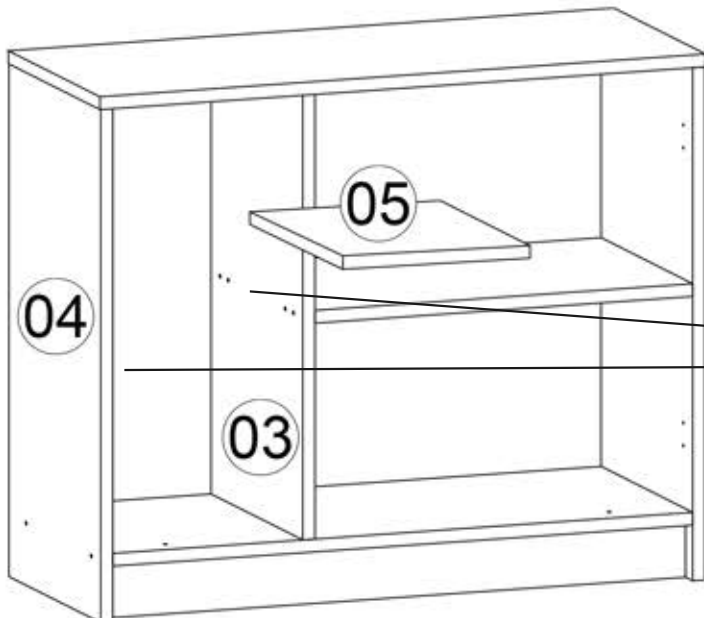
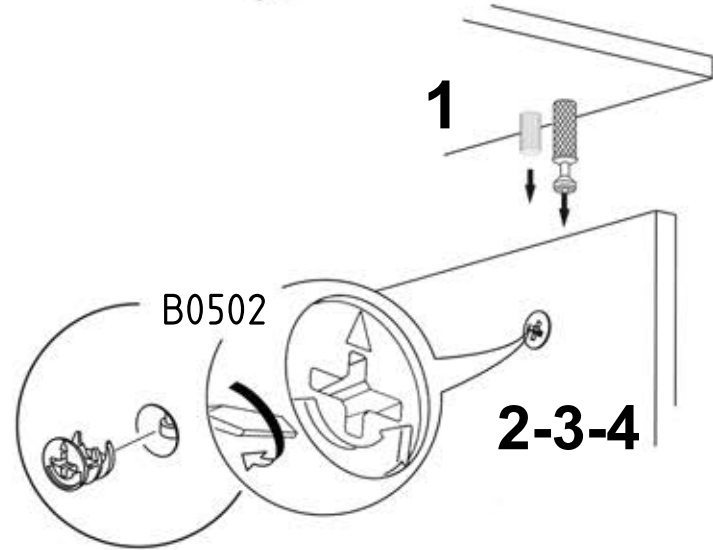
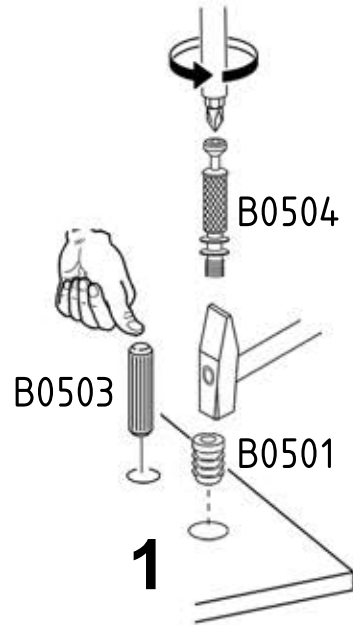
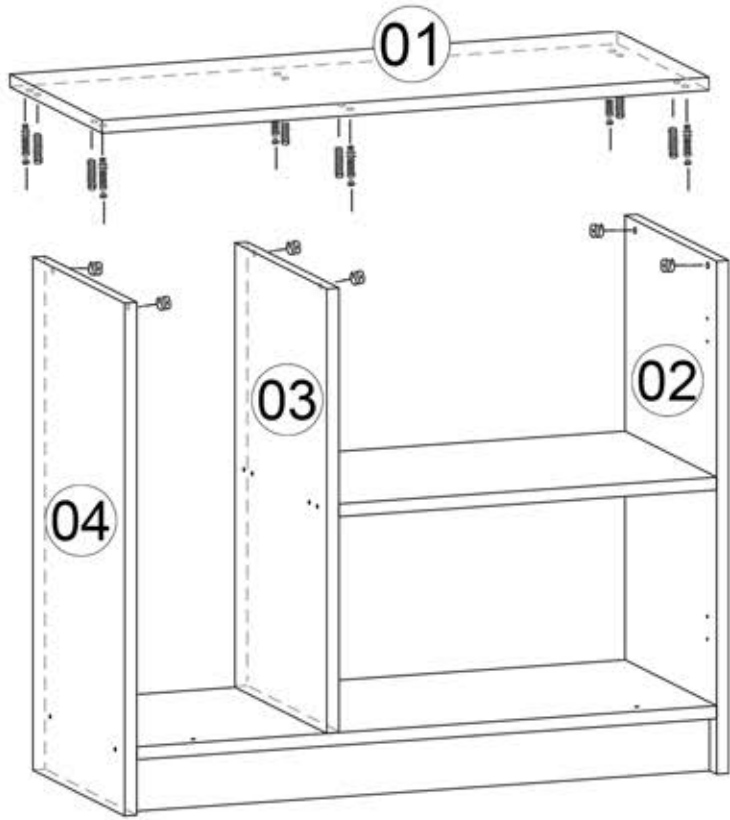
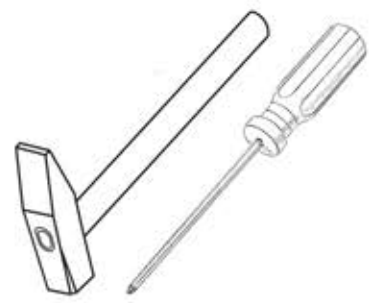
x6



x6



x4





B0301 B0101 B0105 B0307 B0205 B0318



x24

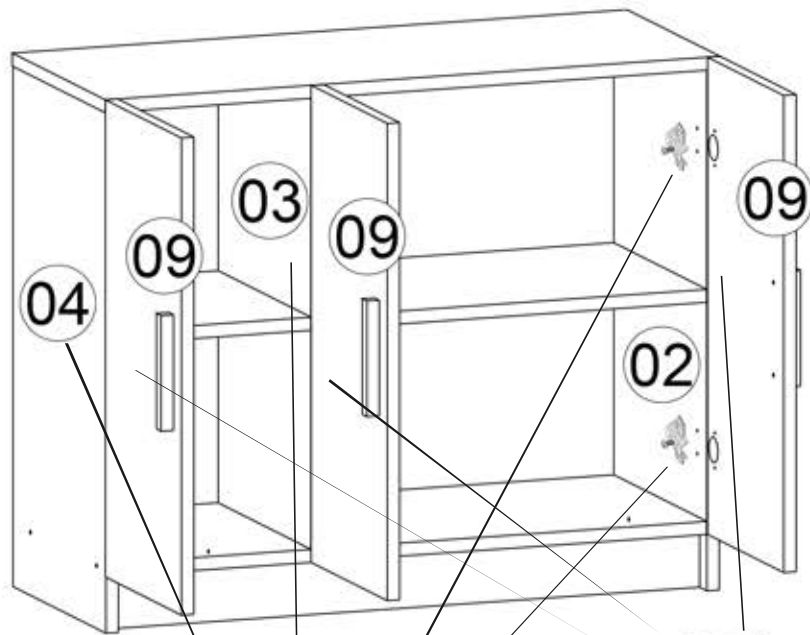
x6

x6

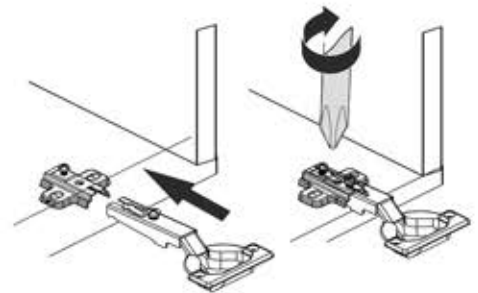
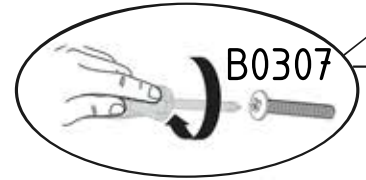
x6

x3

x40



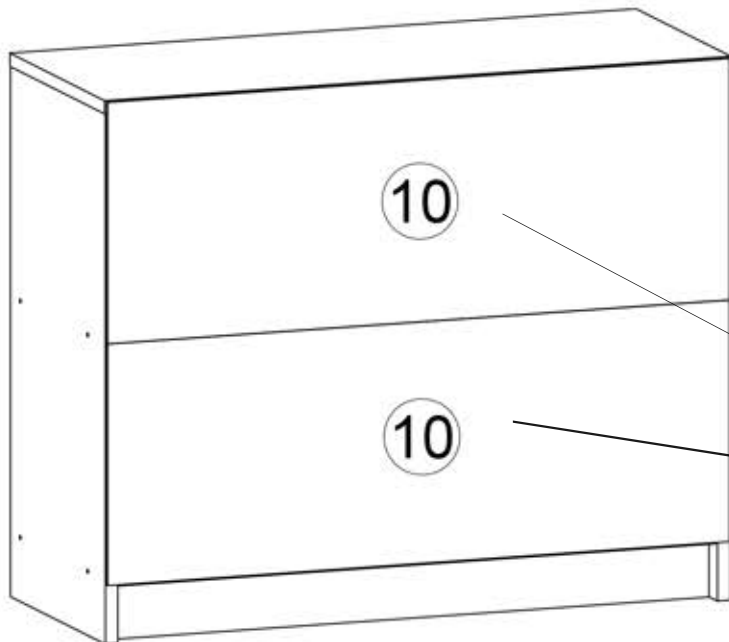
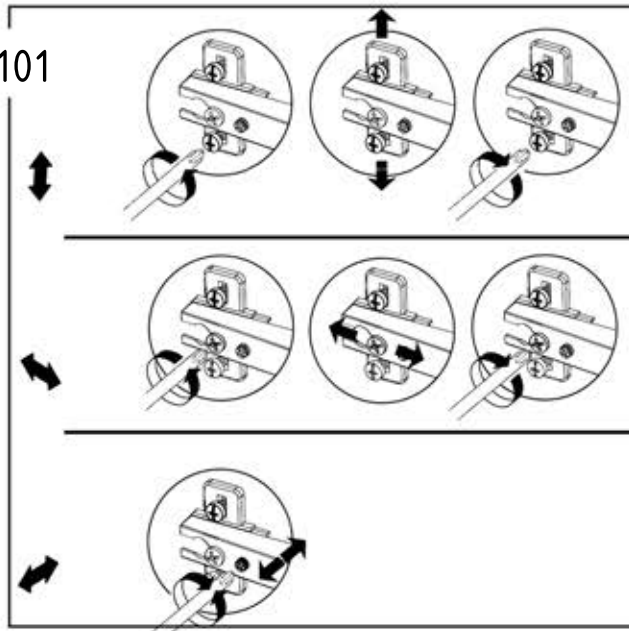
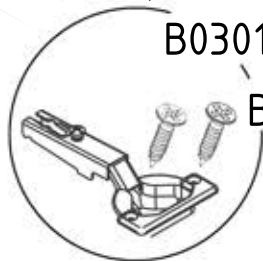
B0205 9



B0105  
B0301

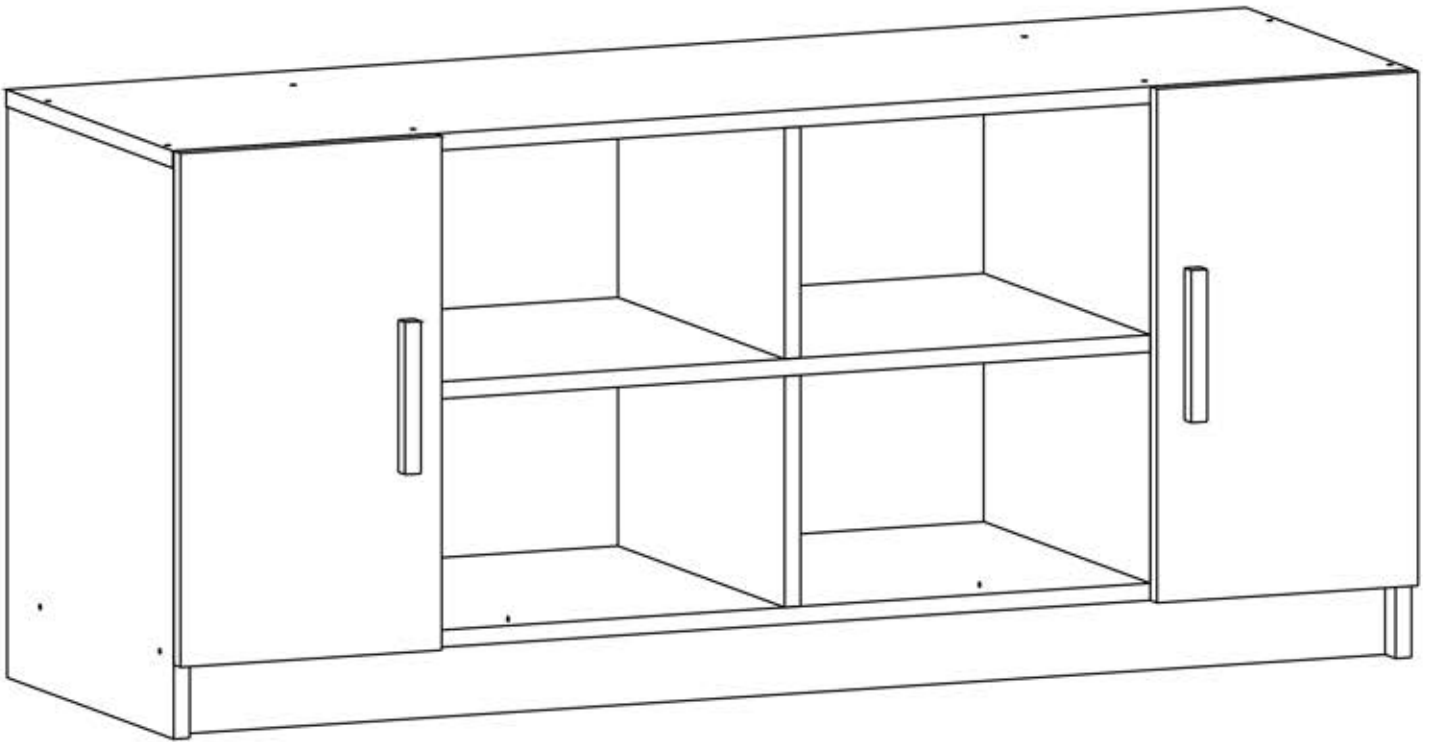













B0301  
B0101

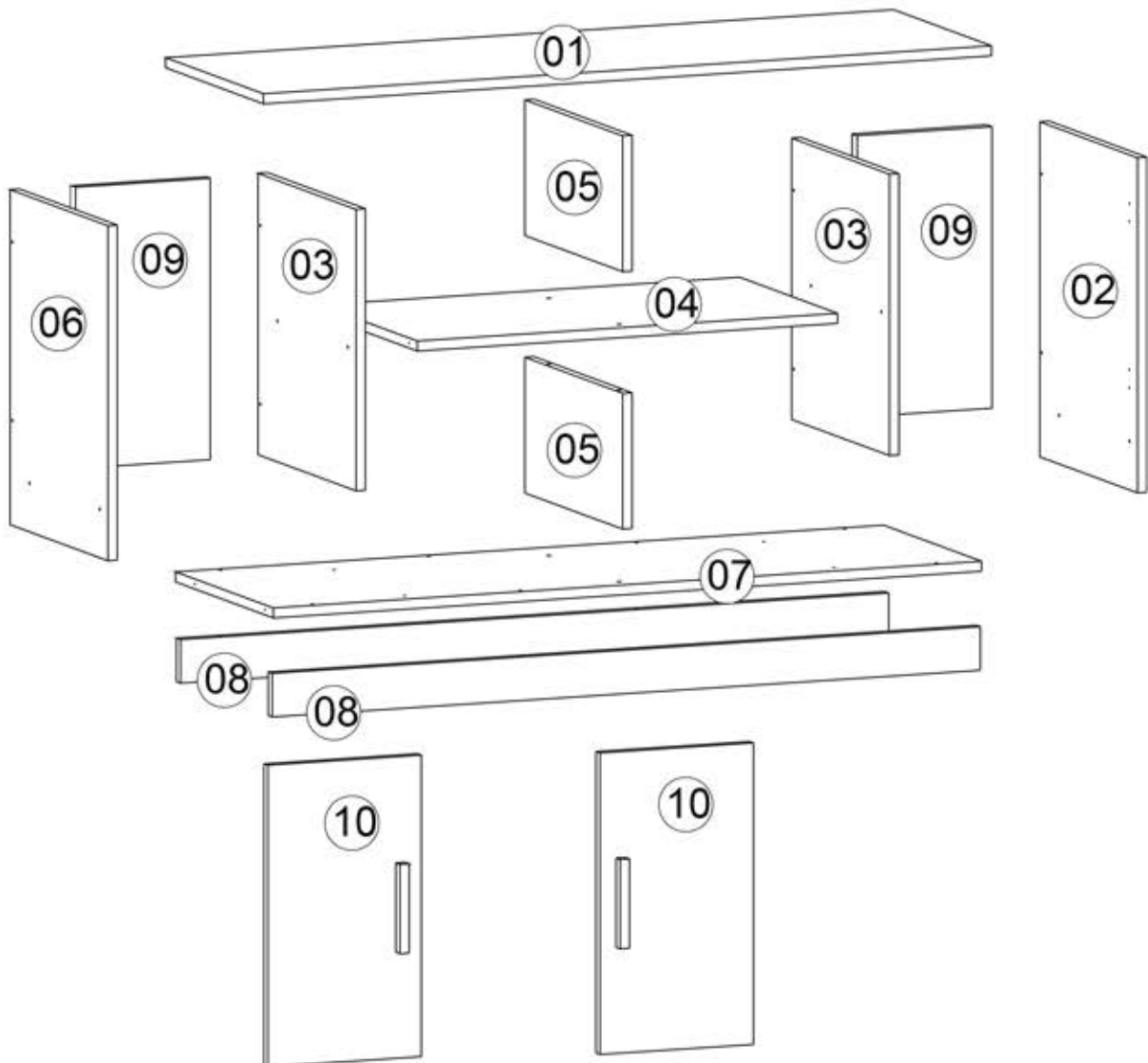
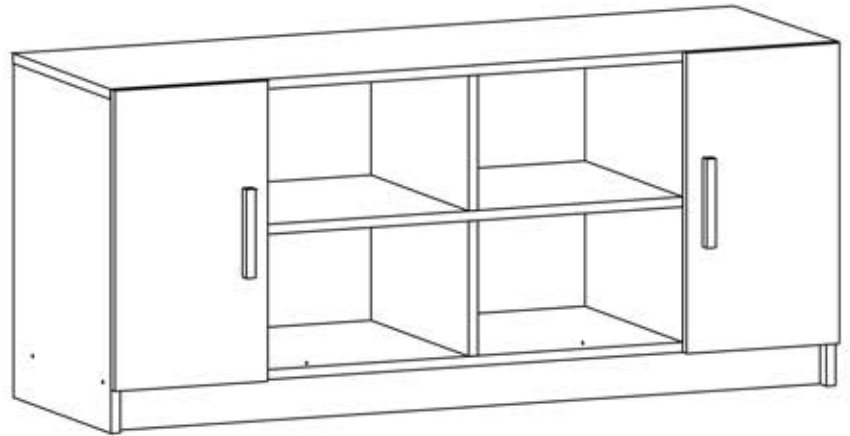


B0318

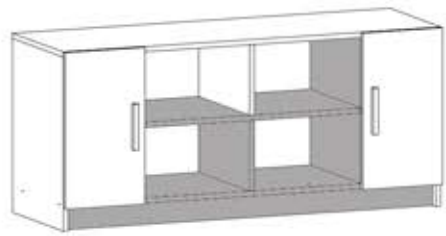
# VO6



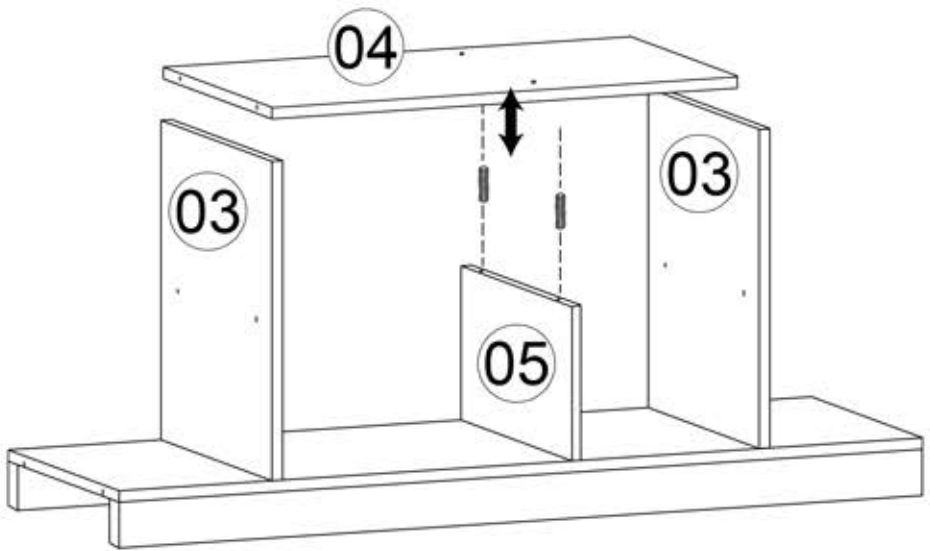
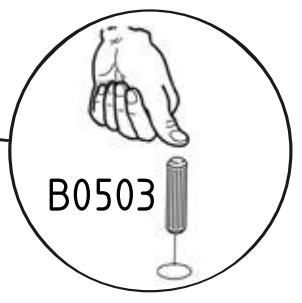
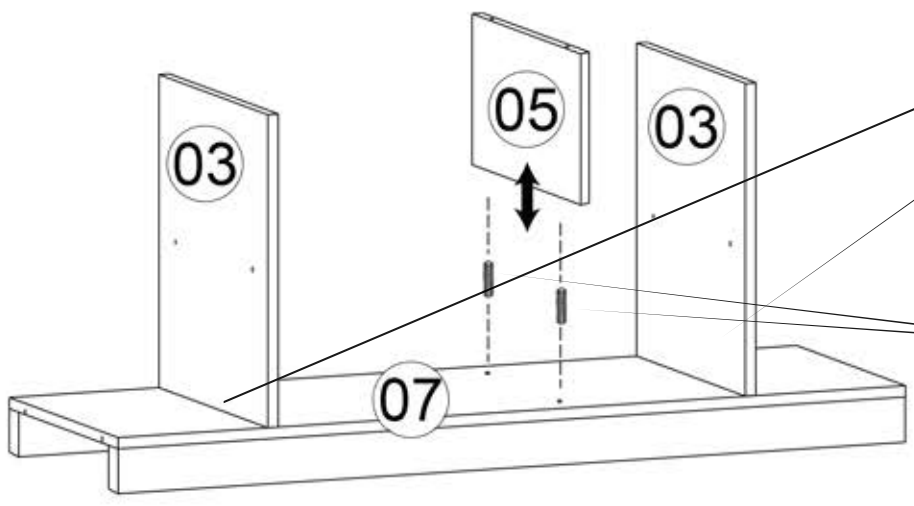
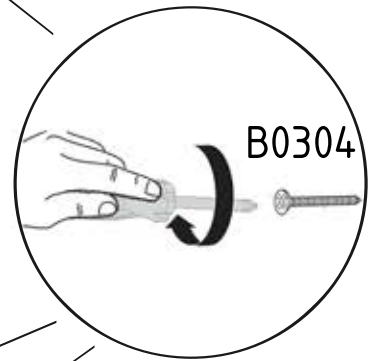
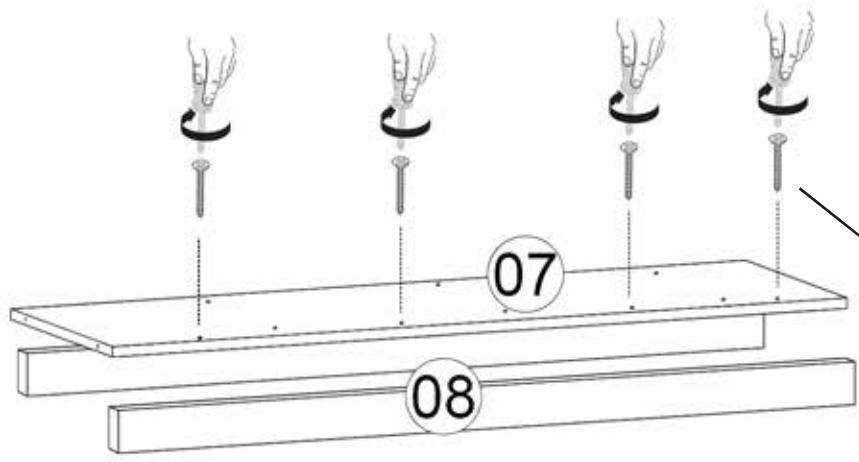
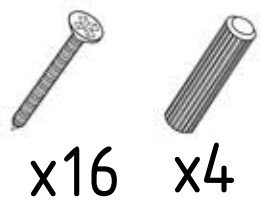
 B0501 x8	 B0502 x8	 B0503 x16	 B0504 x8	 B0301 x16
 B0304 x28	 B0307 x4	 B0205 x2	 B0105 x4	 B0101 x4
 COLOR1 x8 COLOR2 x				

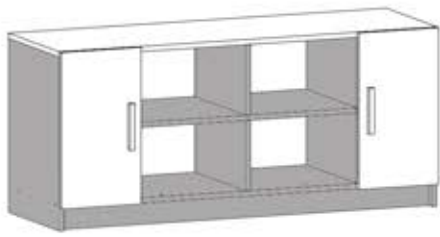






B0304 B0503





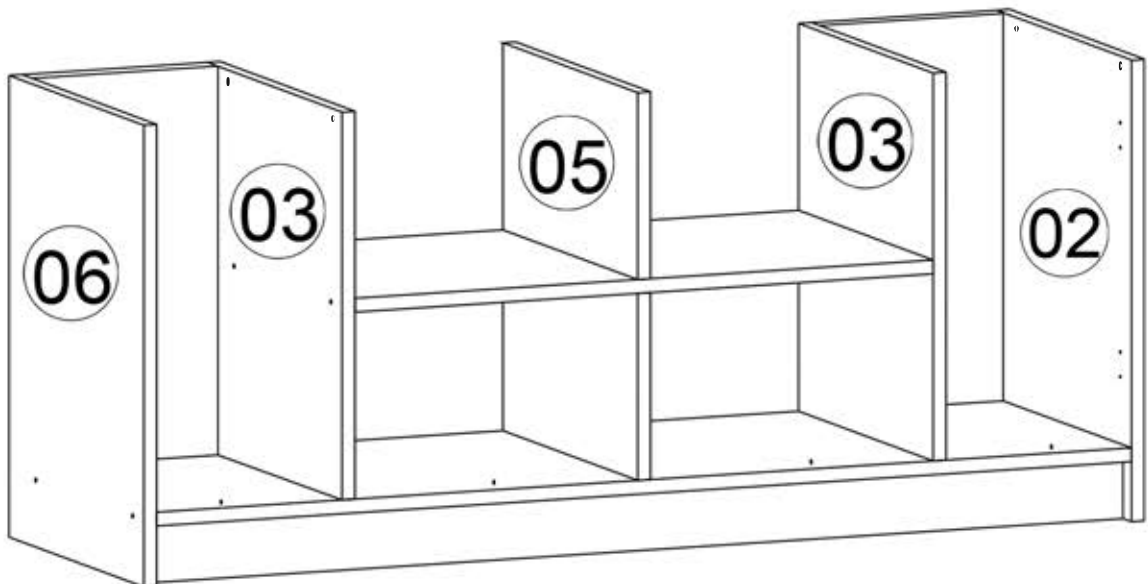
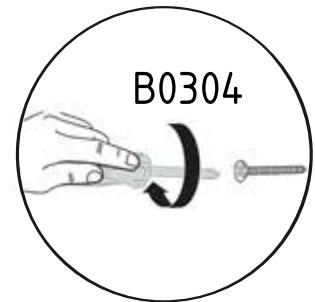
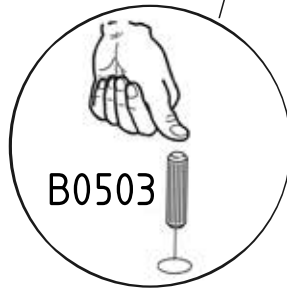
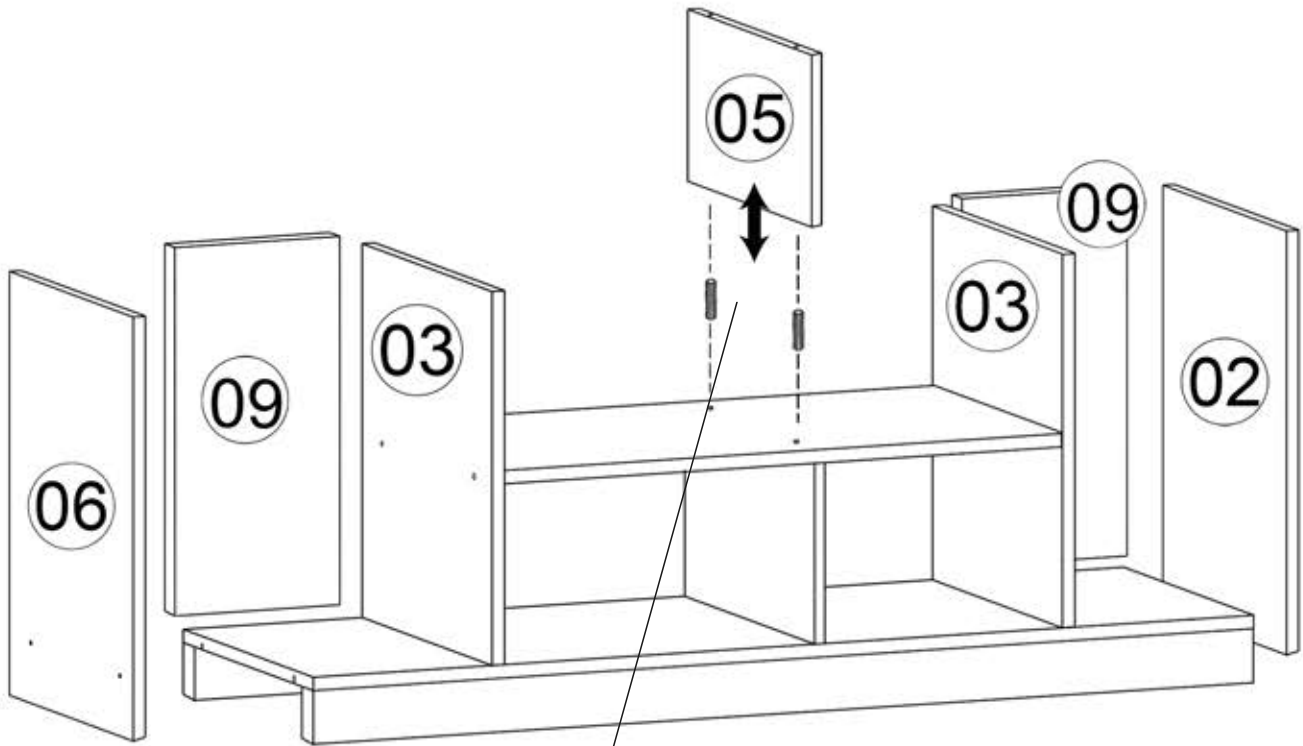
B0304

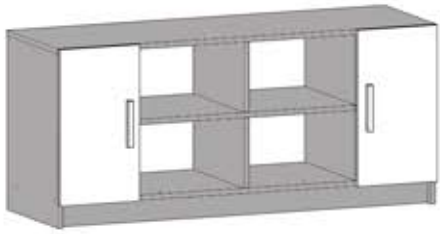
B0503



x12

x2





B0501 B0502 B0503 B0504



x8



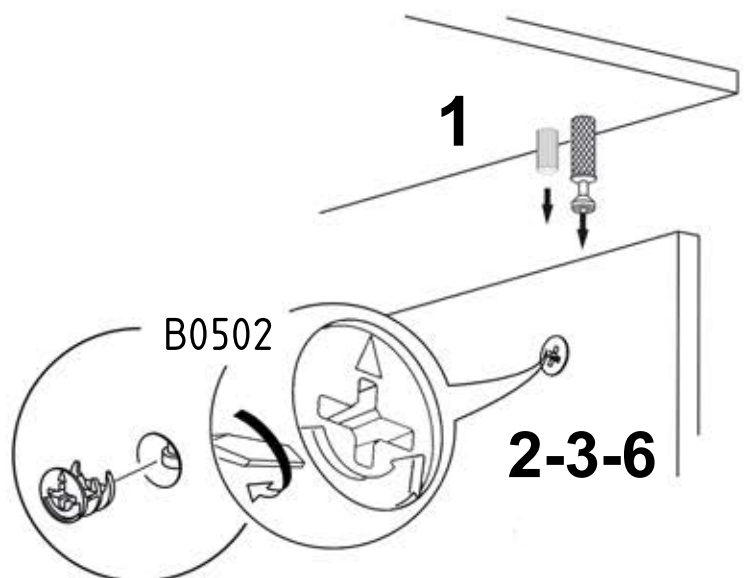
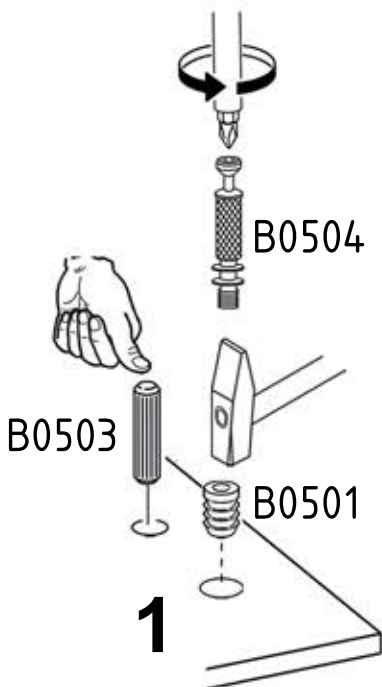
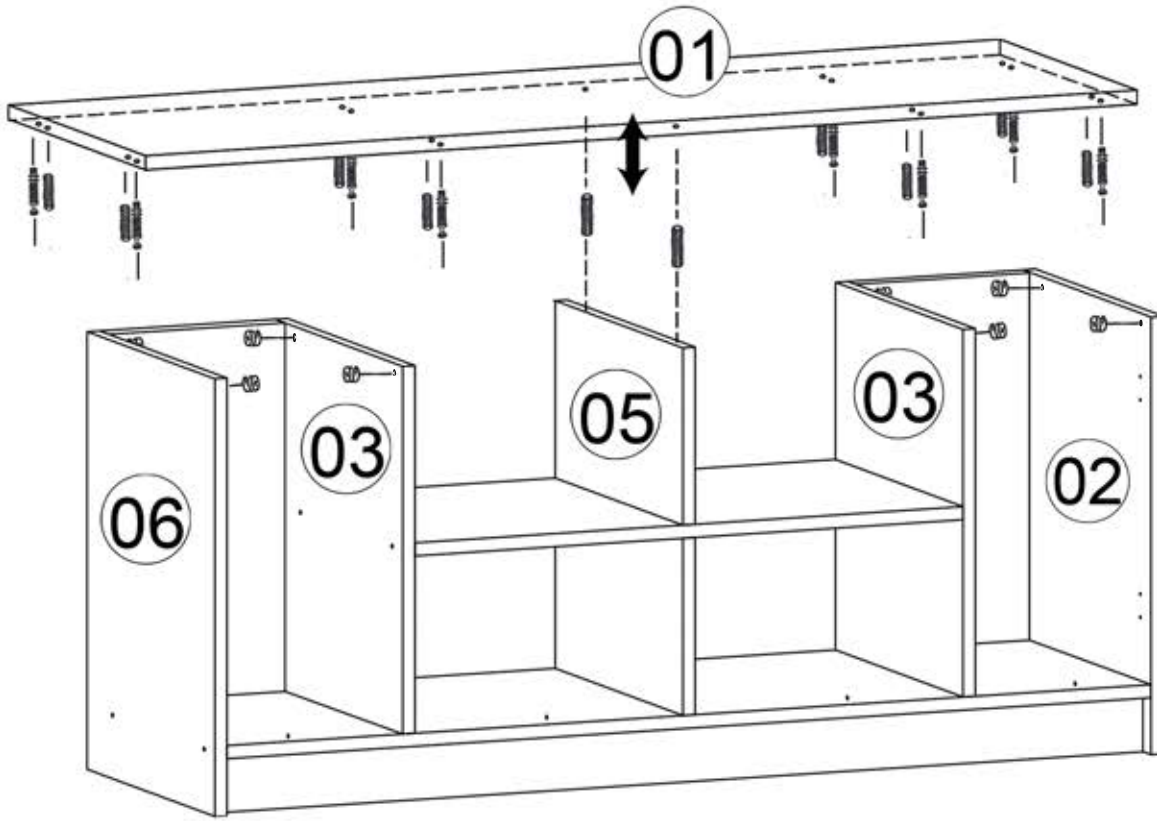
x8

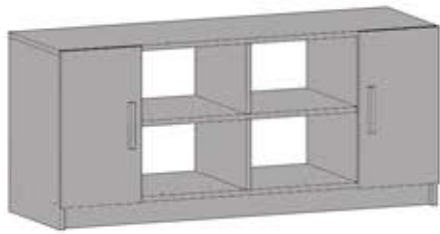


x10



x8

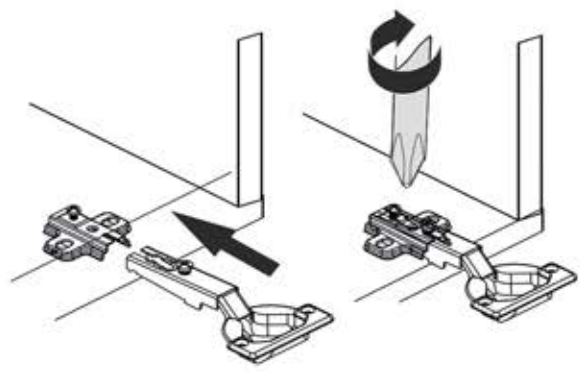
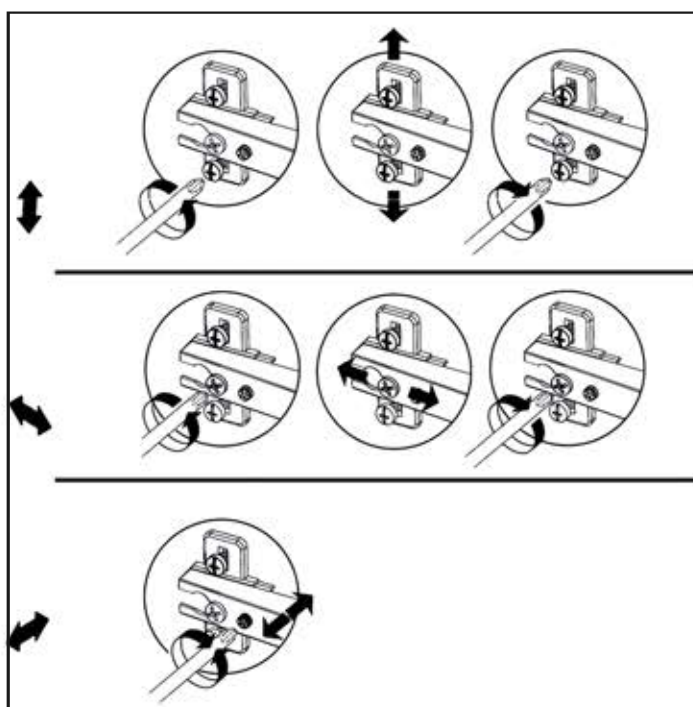
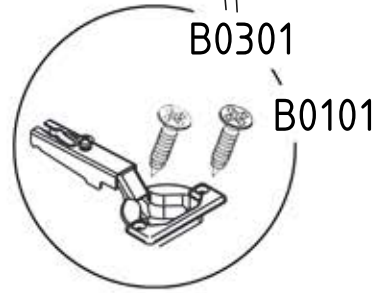
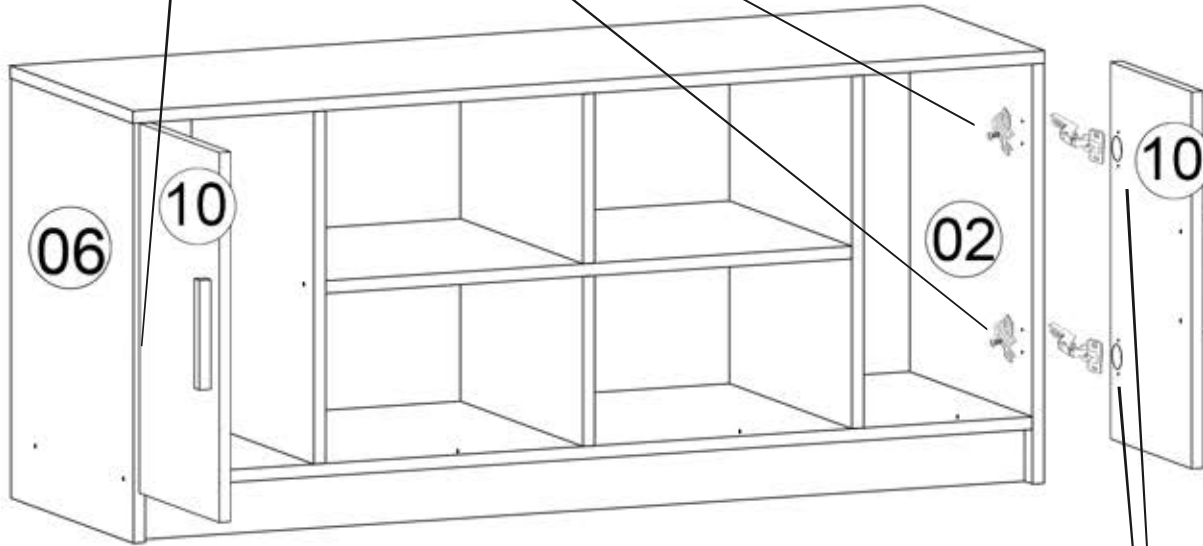
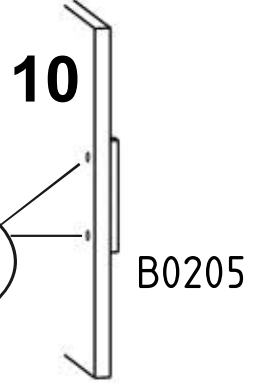
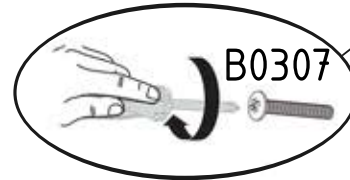




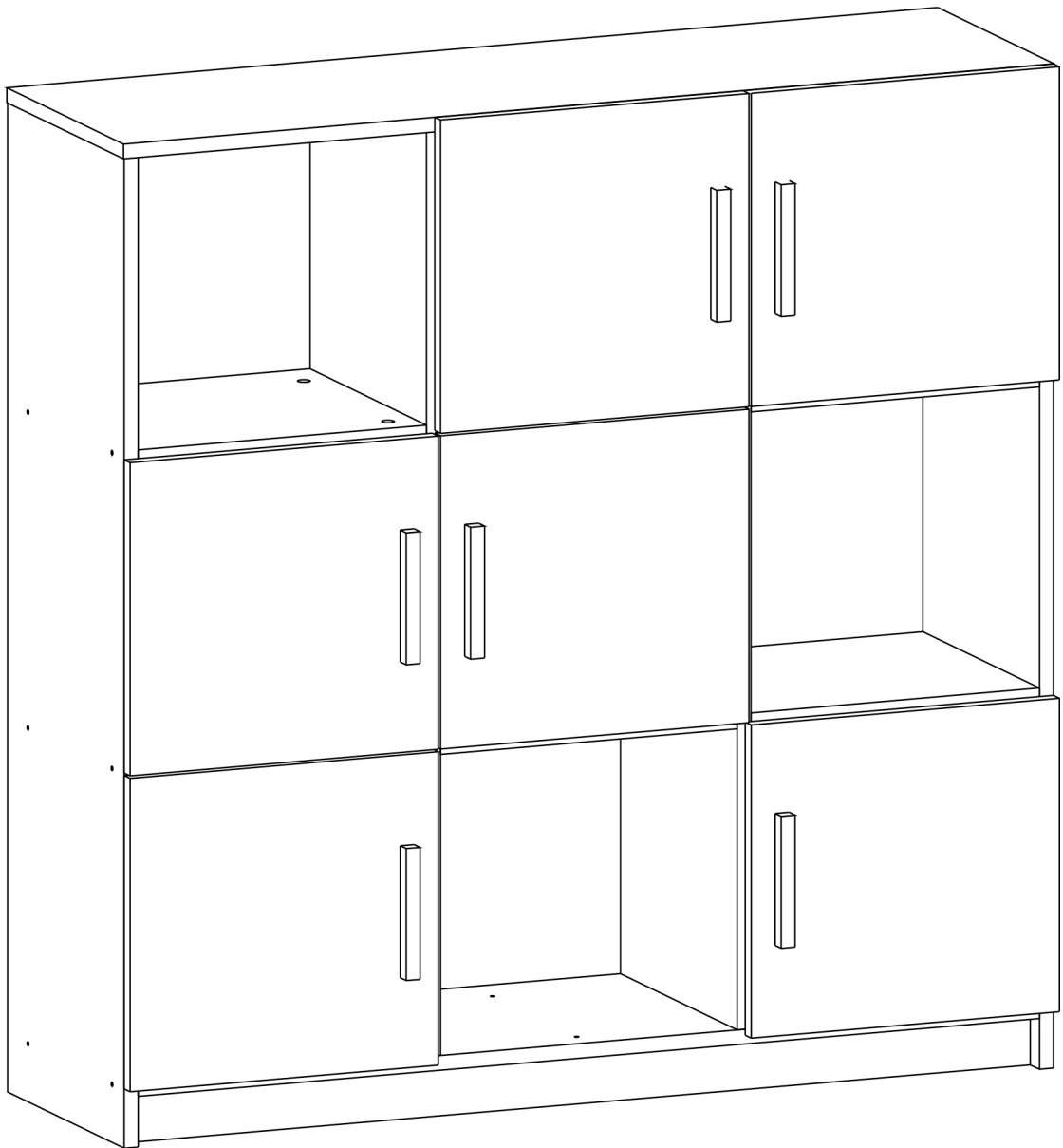
B0301 B0101 B0105 B0307 B0205



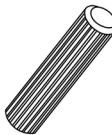


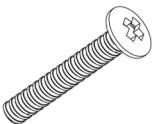



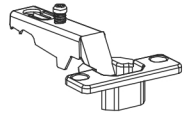
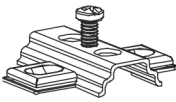
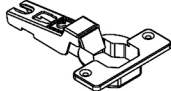

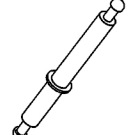


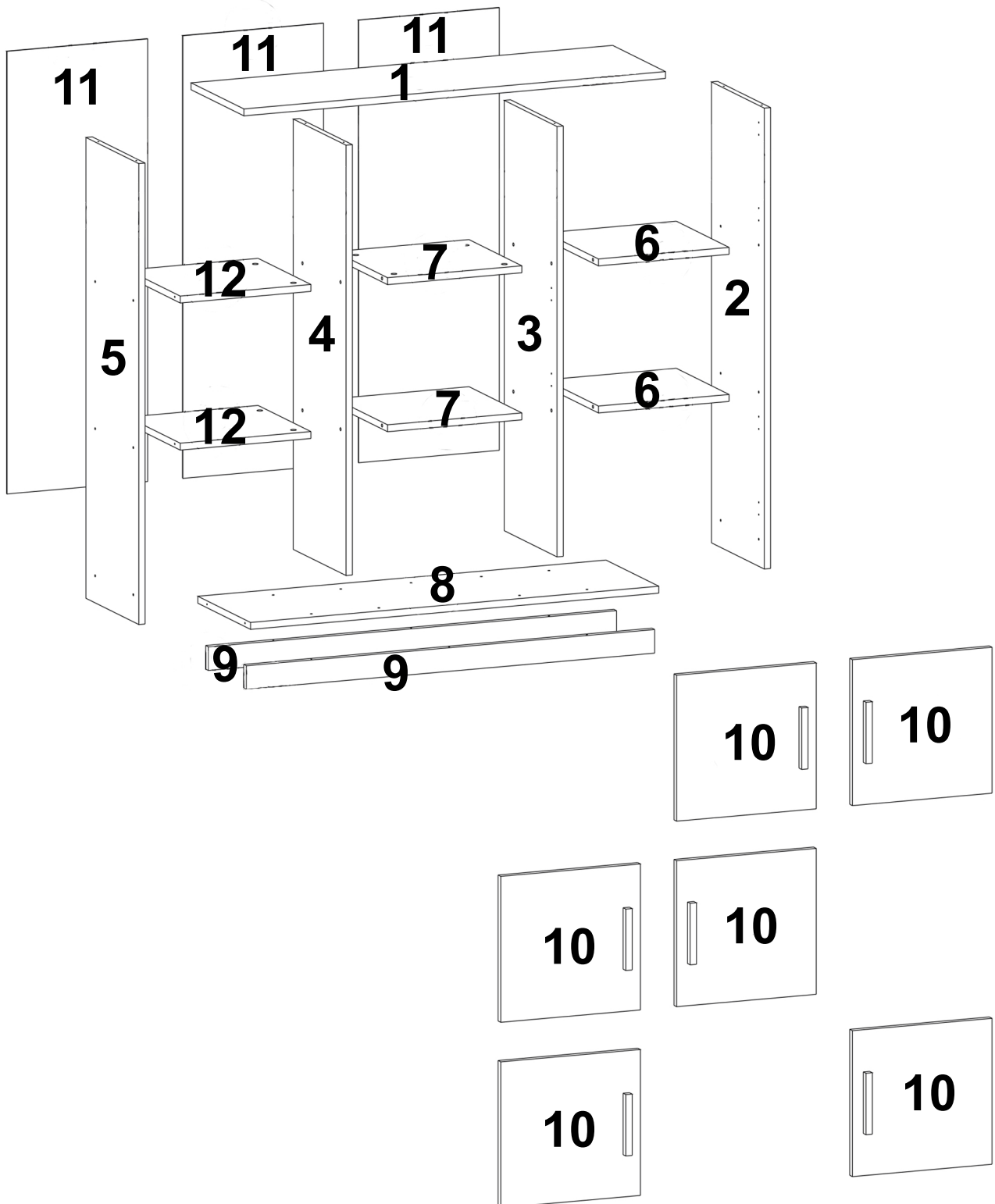
x16 x4 x4 x4 x2

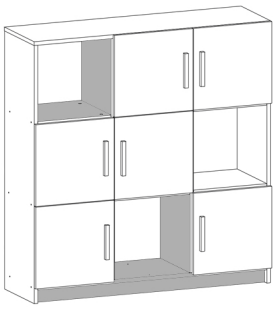


# V07



 B0501 x8	 B0502 x24	 B0503 x8	 B0504 x8	 B0304 x22
 B0307 x12	 COLOR 1 x18 COLOR 2	 B0301 x48	 B0205 x6	 B0101 x8
 B0105 x12	 B0102 x4	 B0318 x80	 B0506 x8	



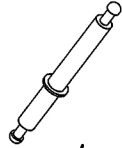


B0502



x8

B0506

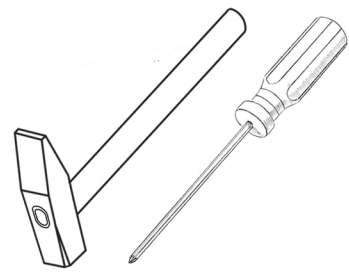


x4

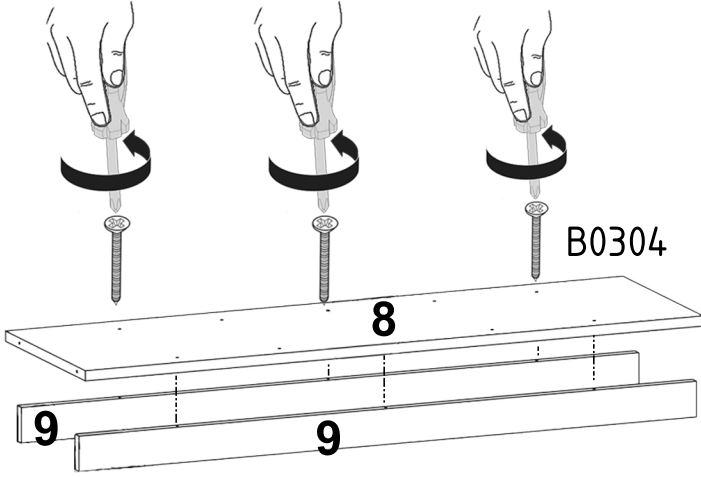
B0304



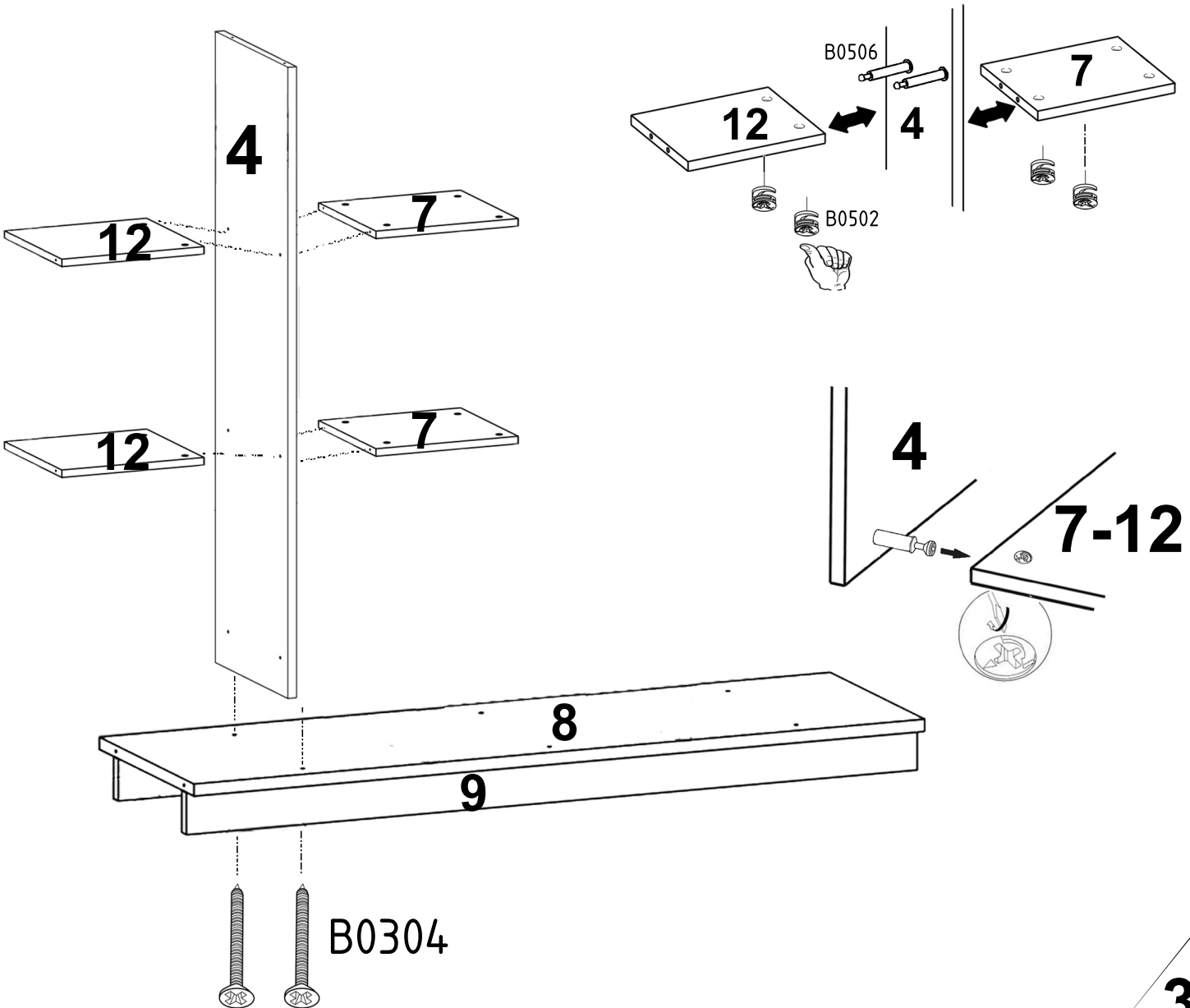
x8



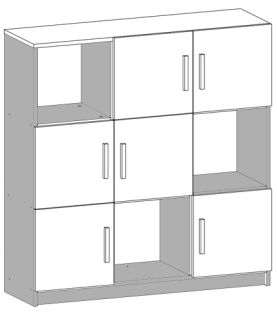
1



2



3

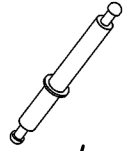


B0502



x8

B0506

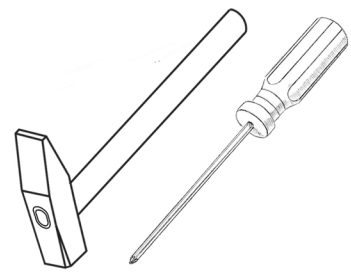


x4

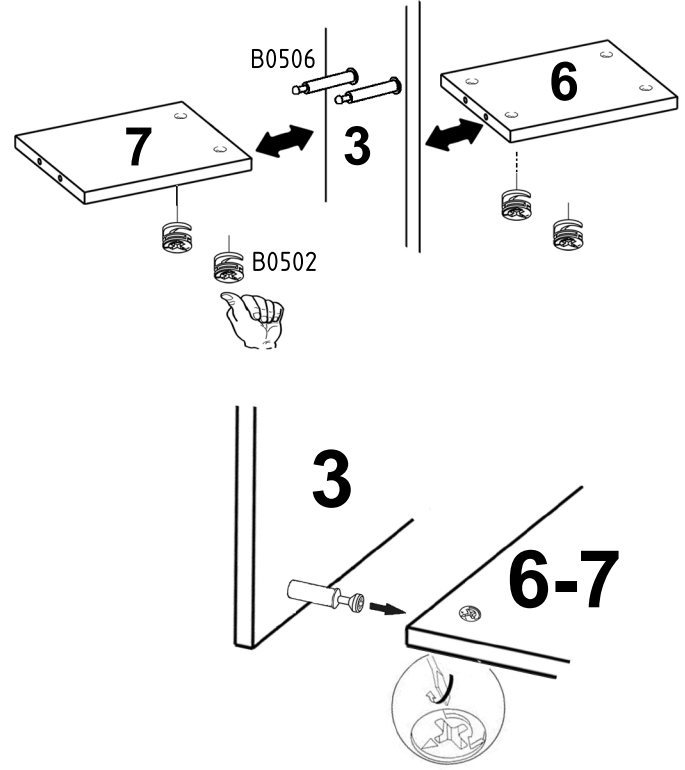
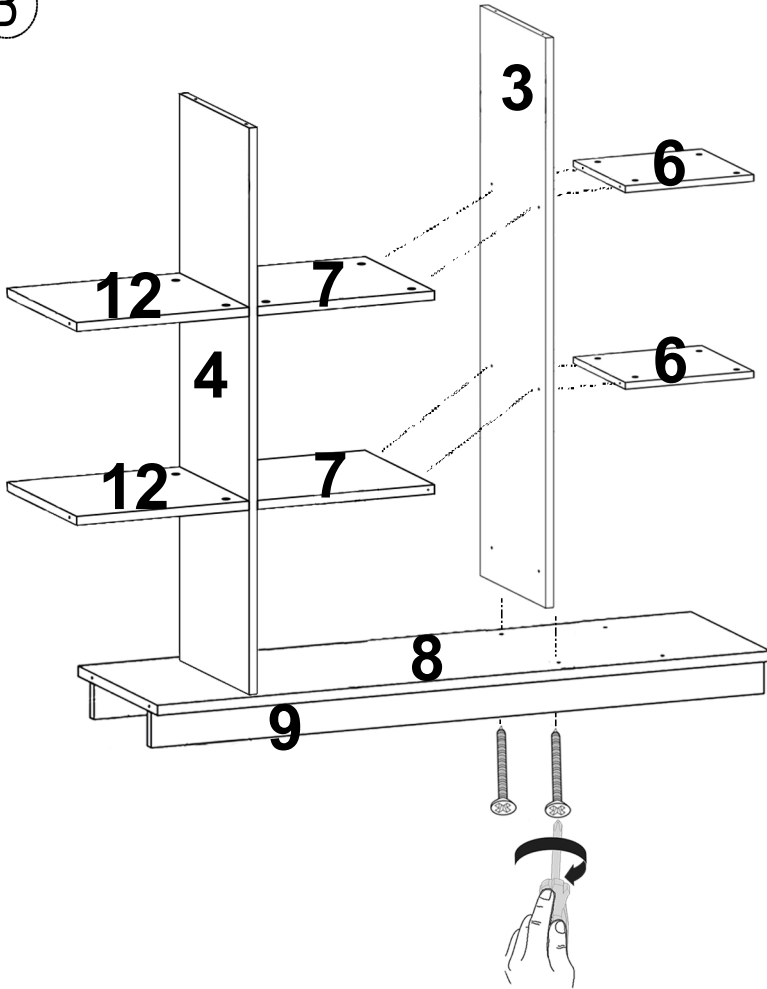
B0304



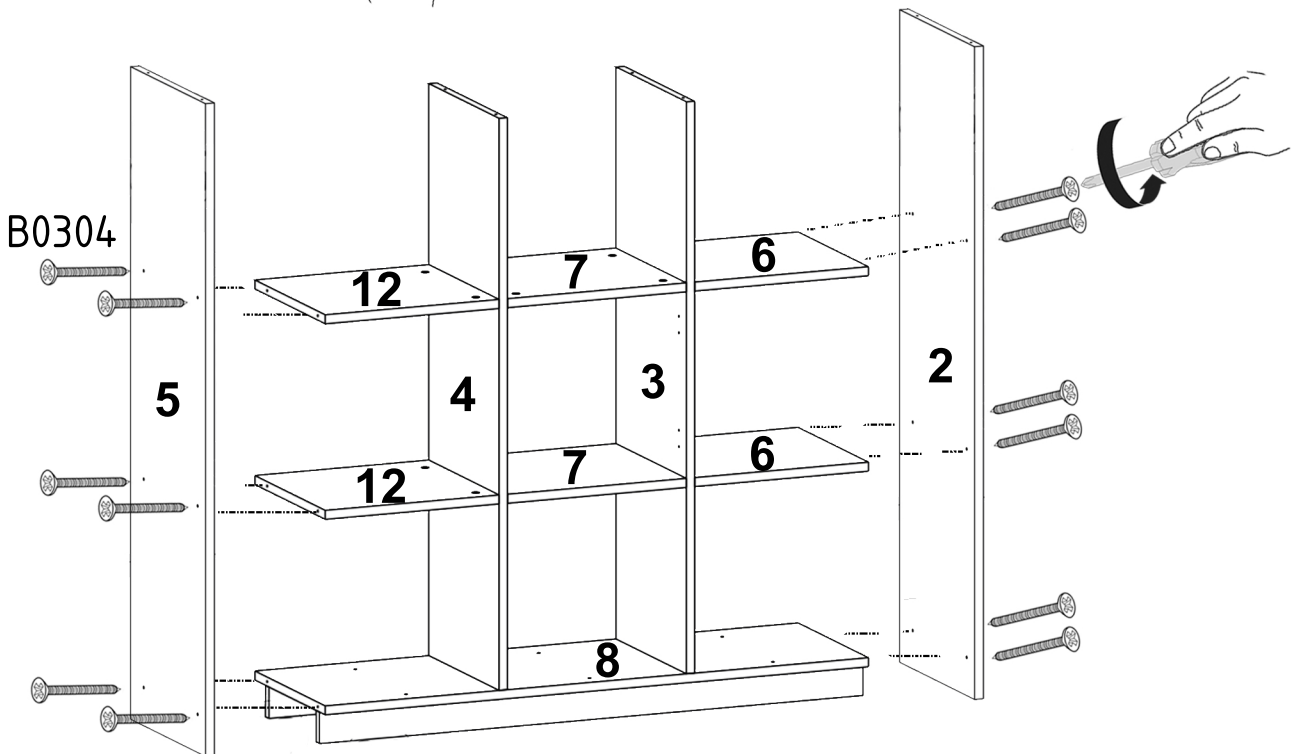
x14



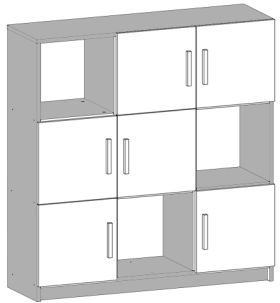
3



4

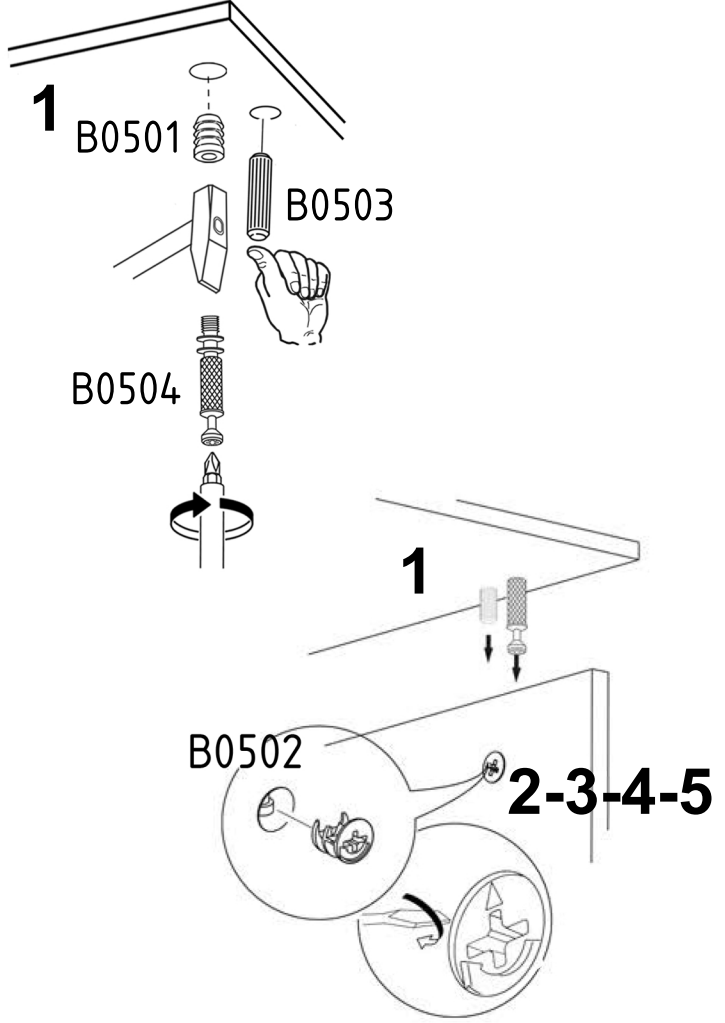
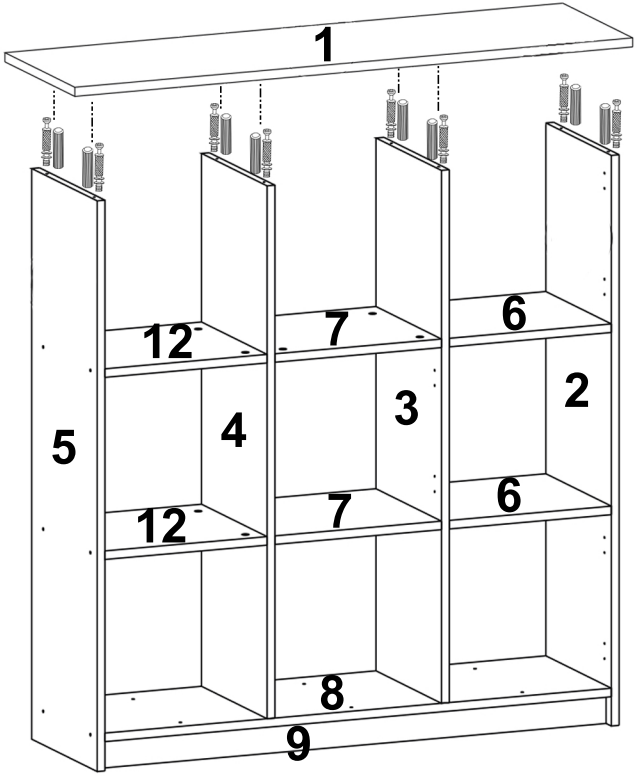




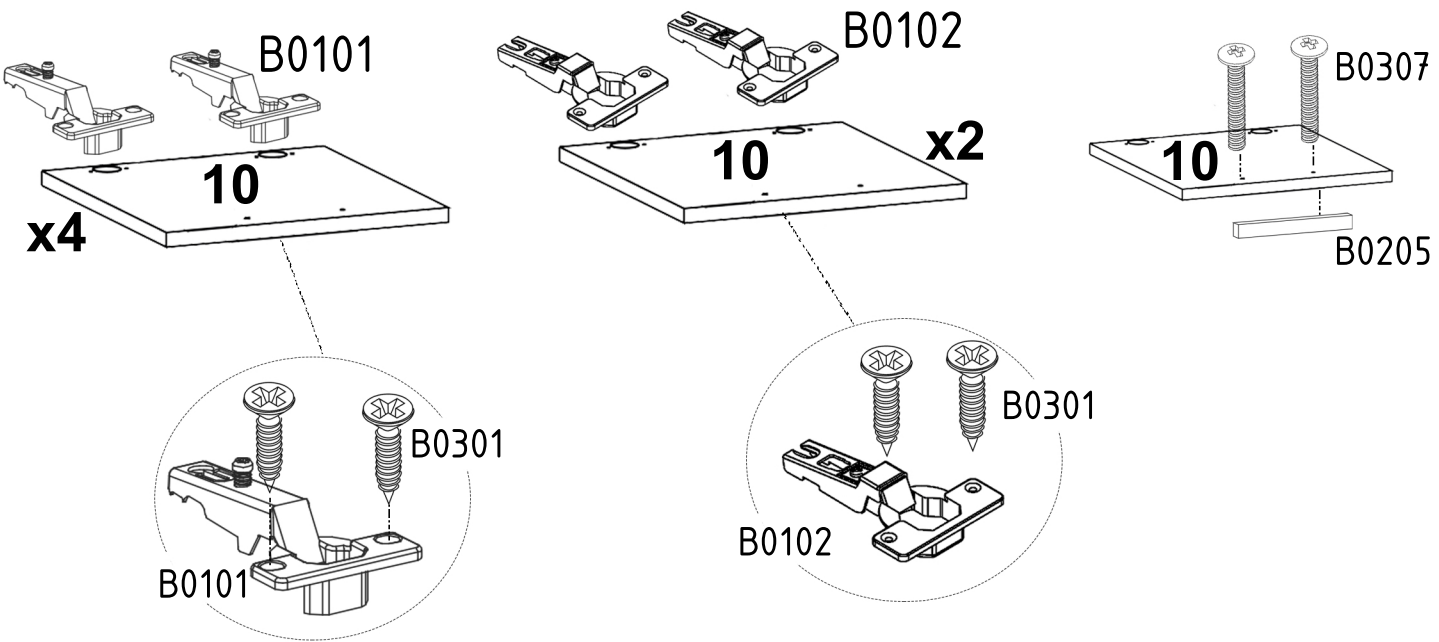


- B0502 x8
- B0501 x8
- B0503 x8
- B0504 x8
- B0102 x4
- B0301 x24
- B0101 x8
- B0205 x6
- B0307 x12

5

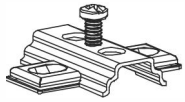


6





B0105



x12

B0301

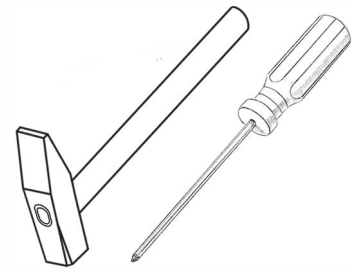


x24

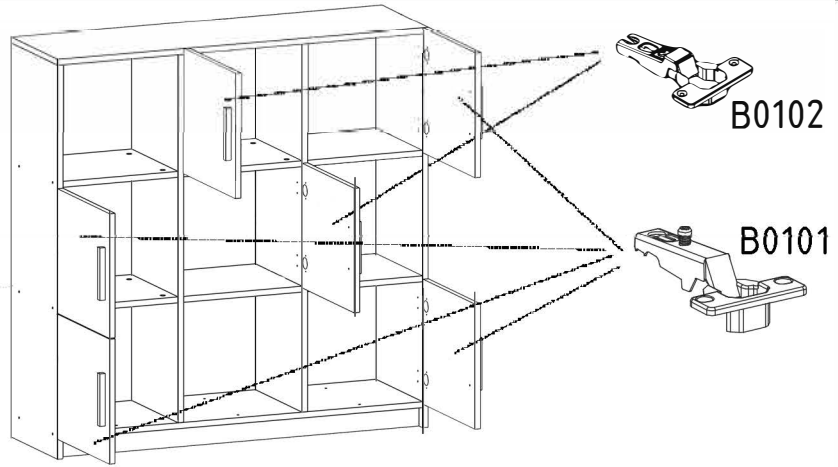
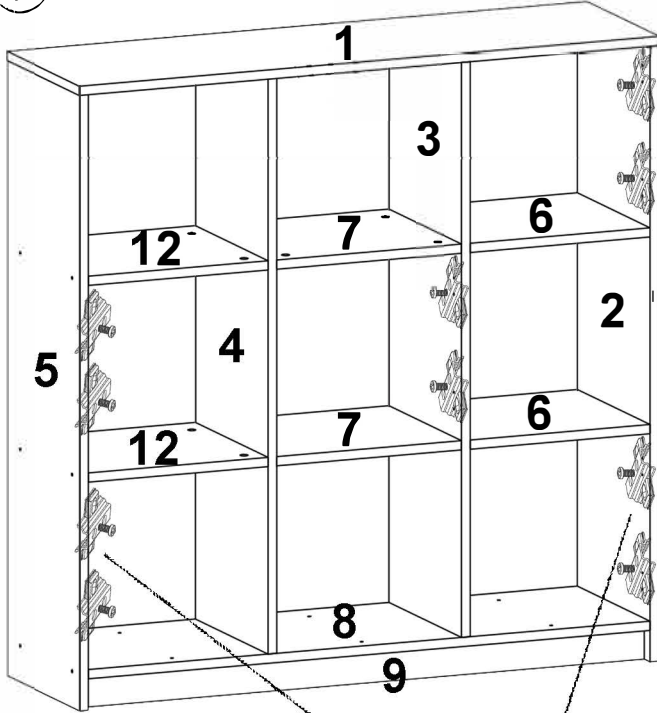
B0318



x80

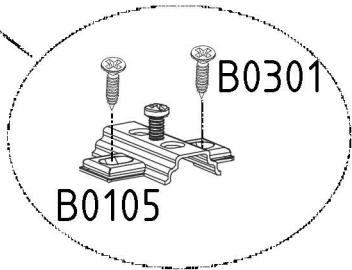


7

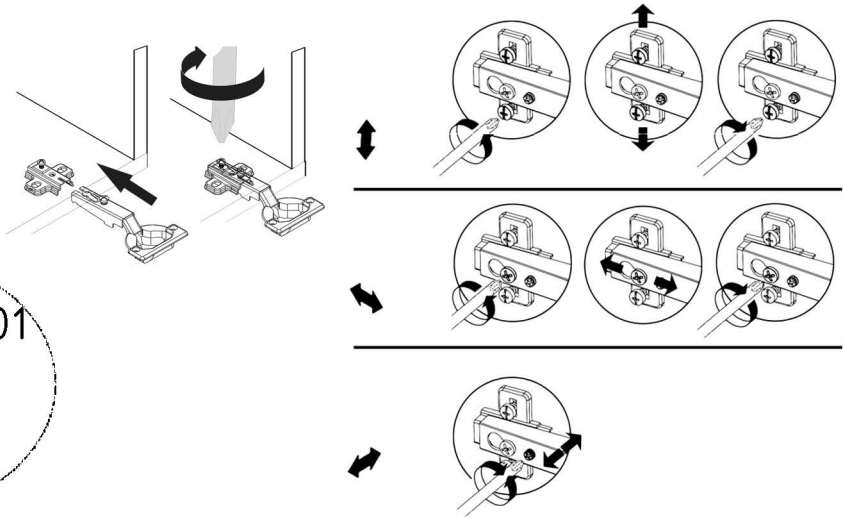


B0102

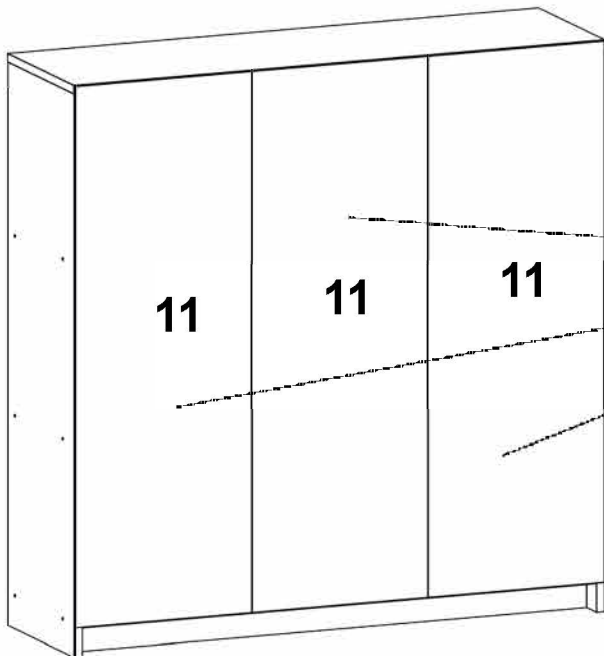
B0101



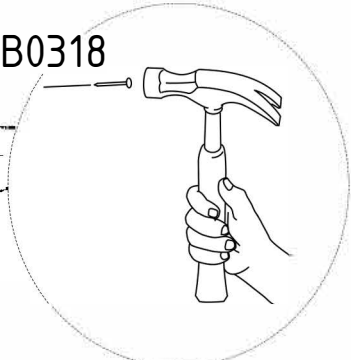
B0301  
B0105



8

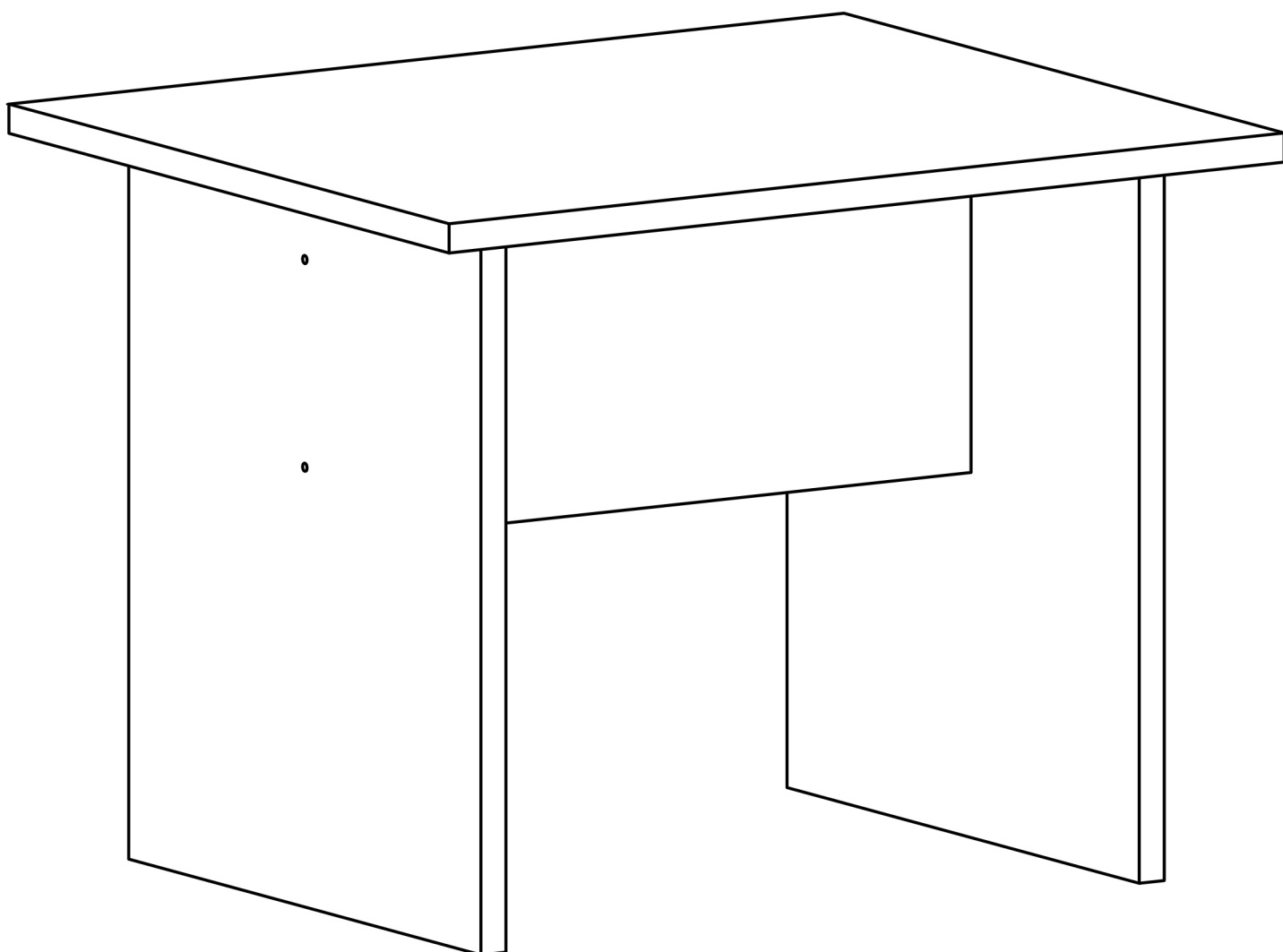


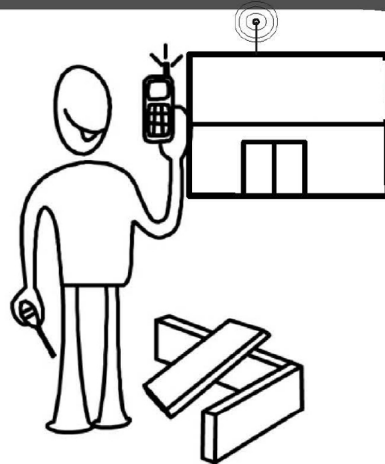
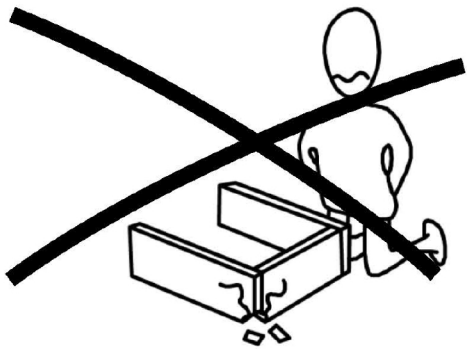
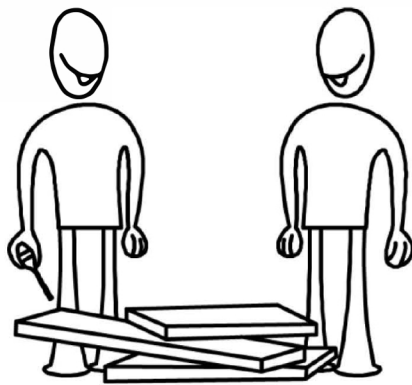
B0318

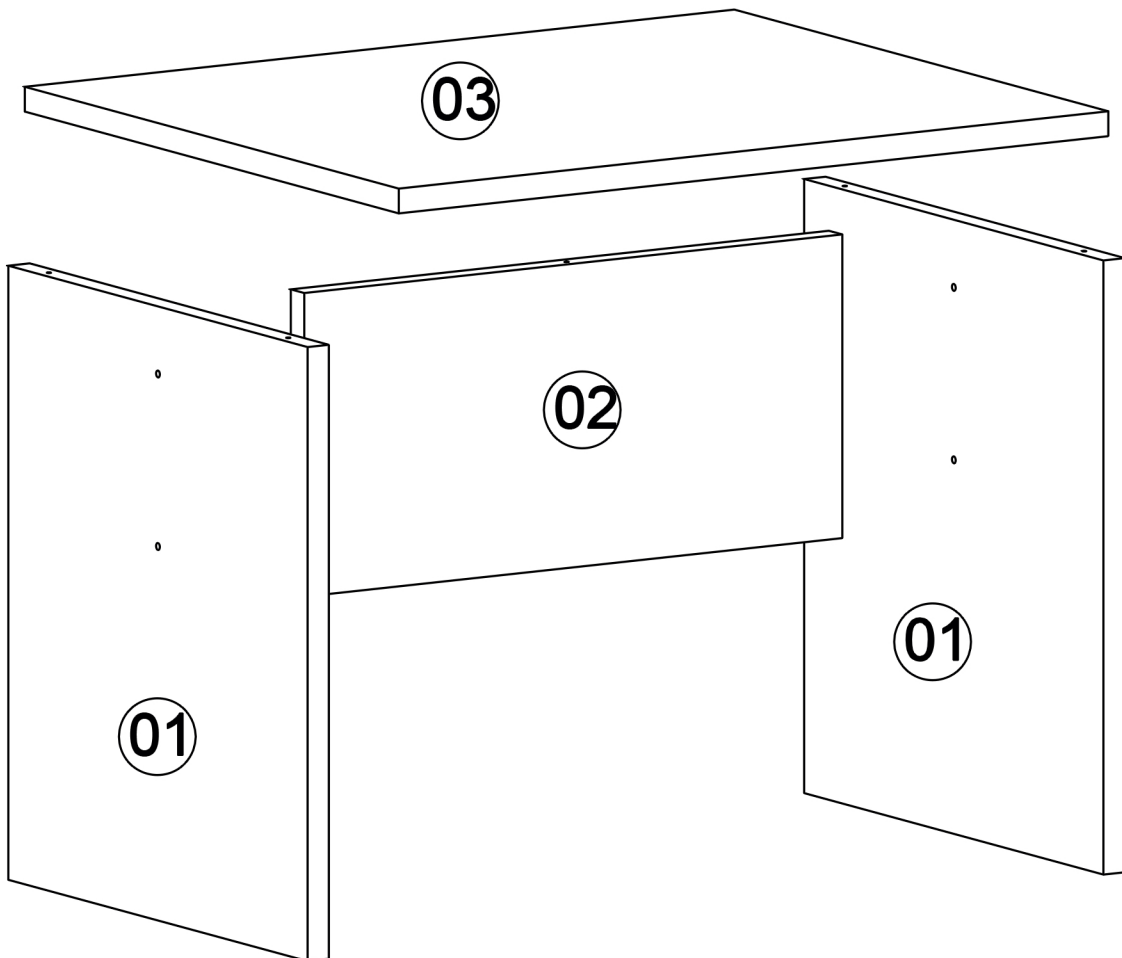
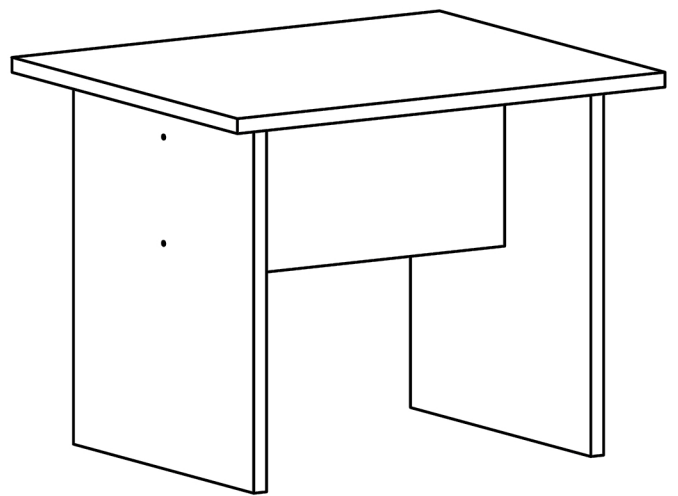
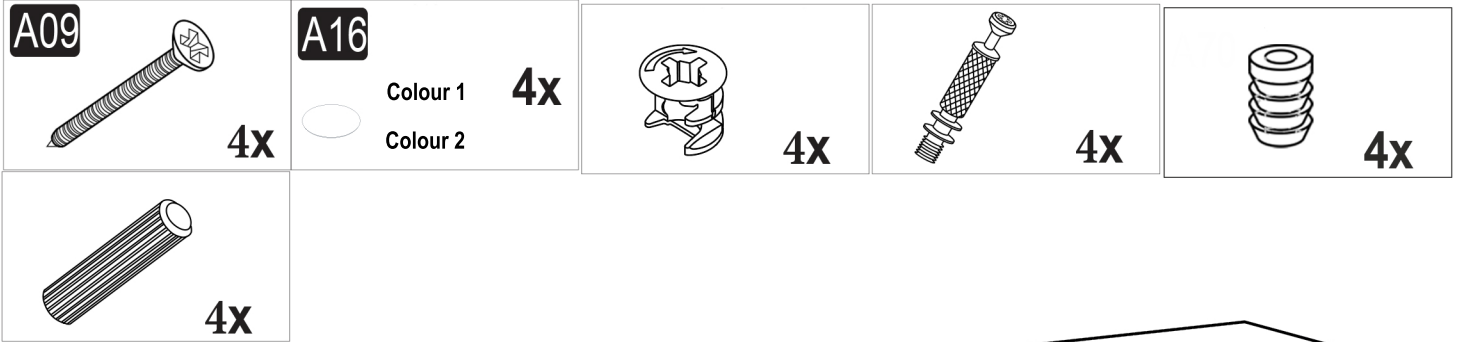
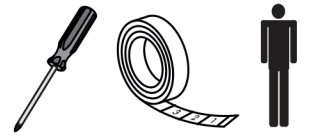


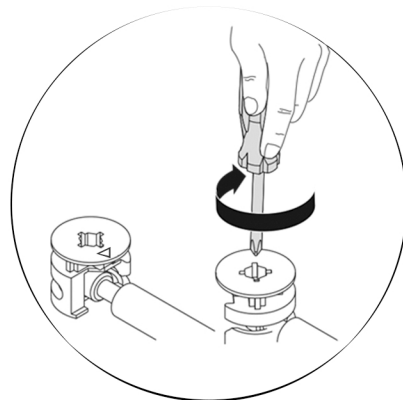
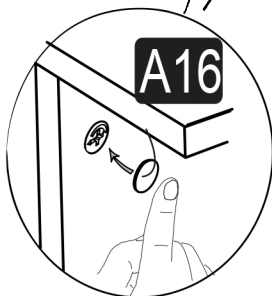
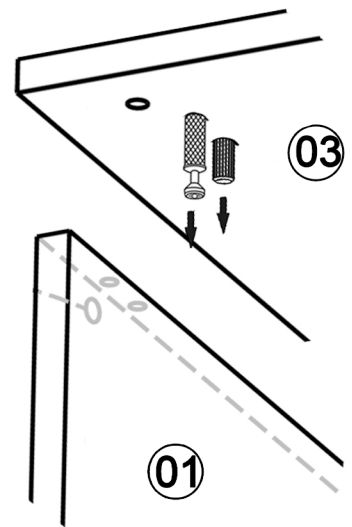
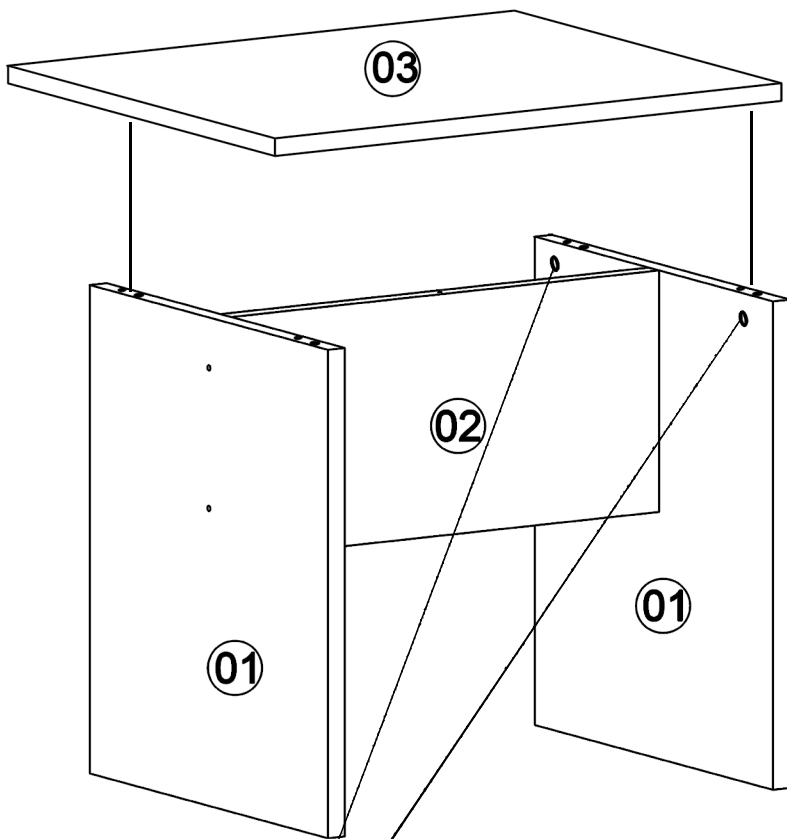
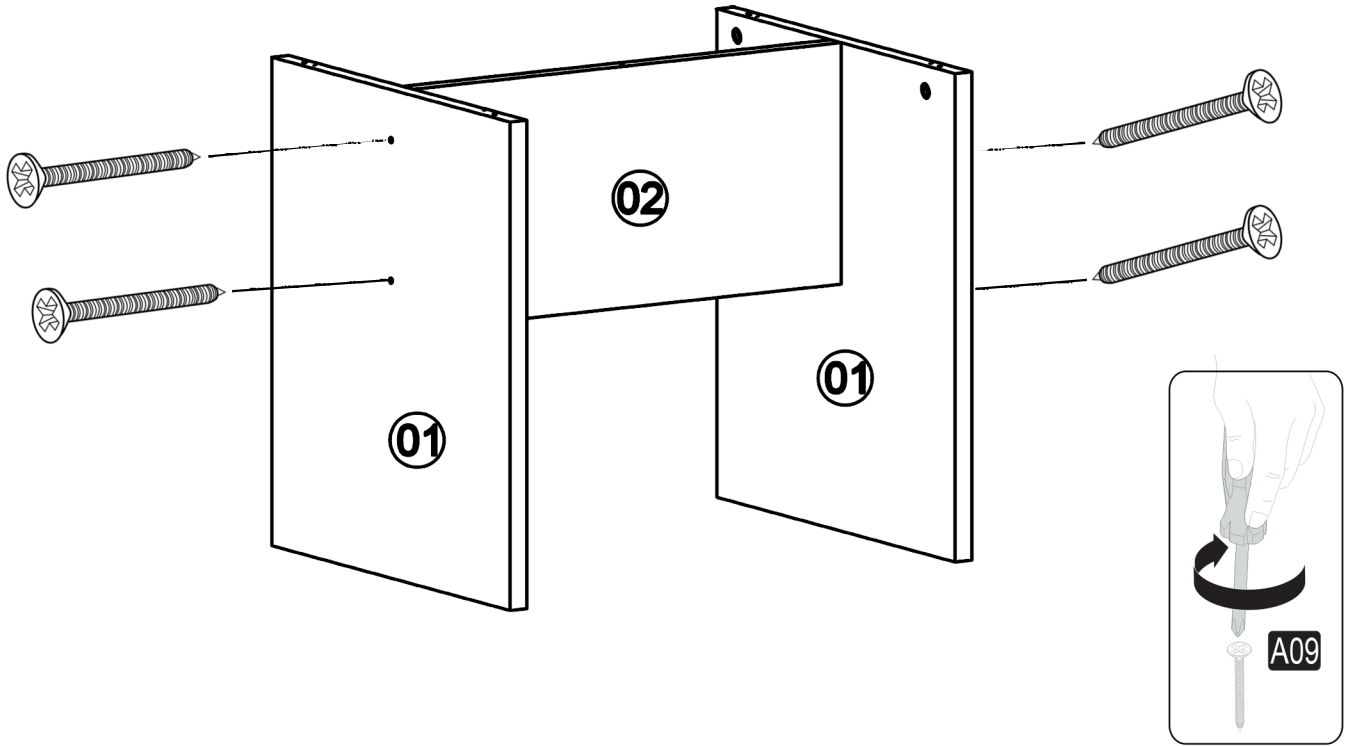
# Vario B

---

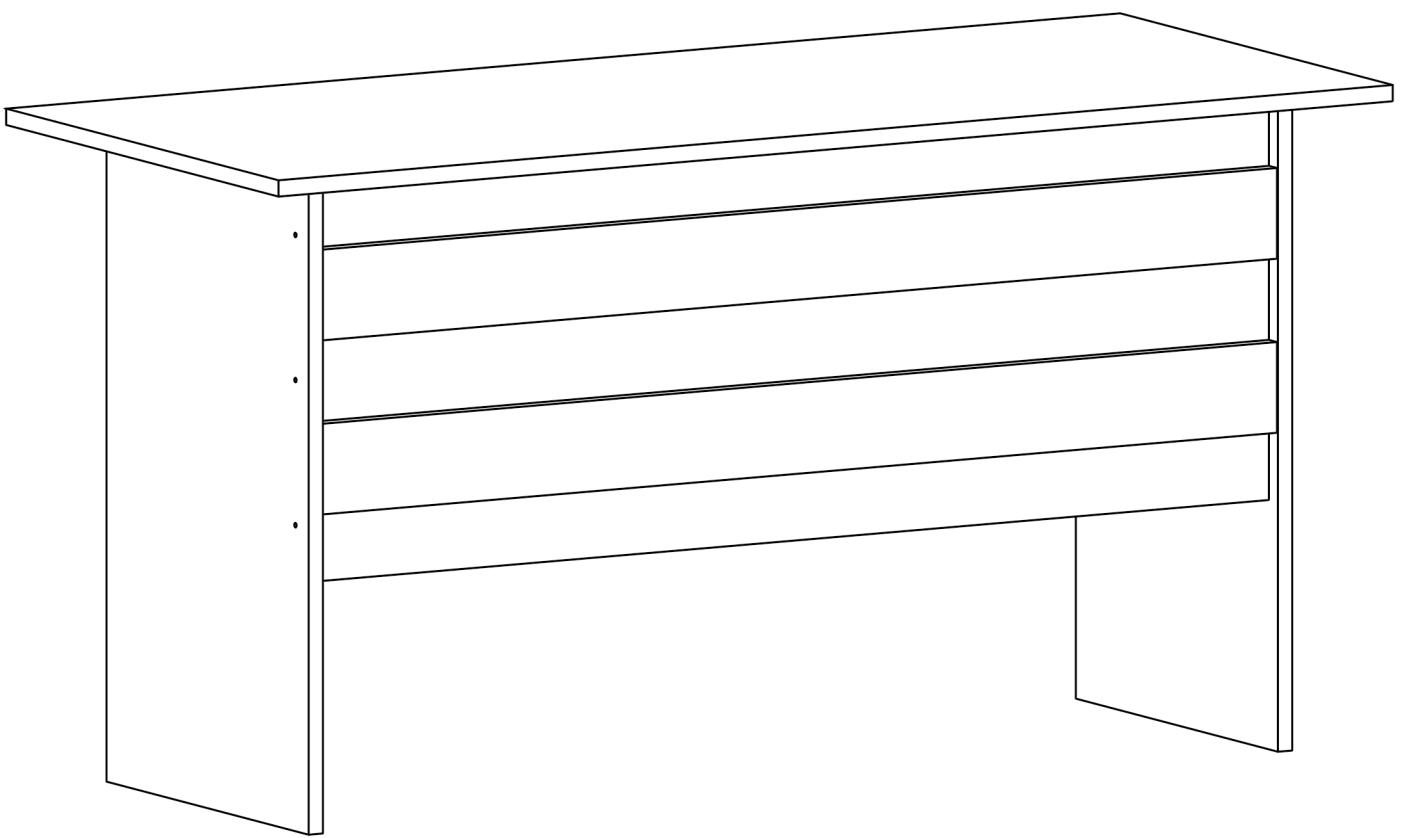




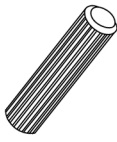
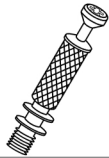





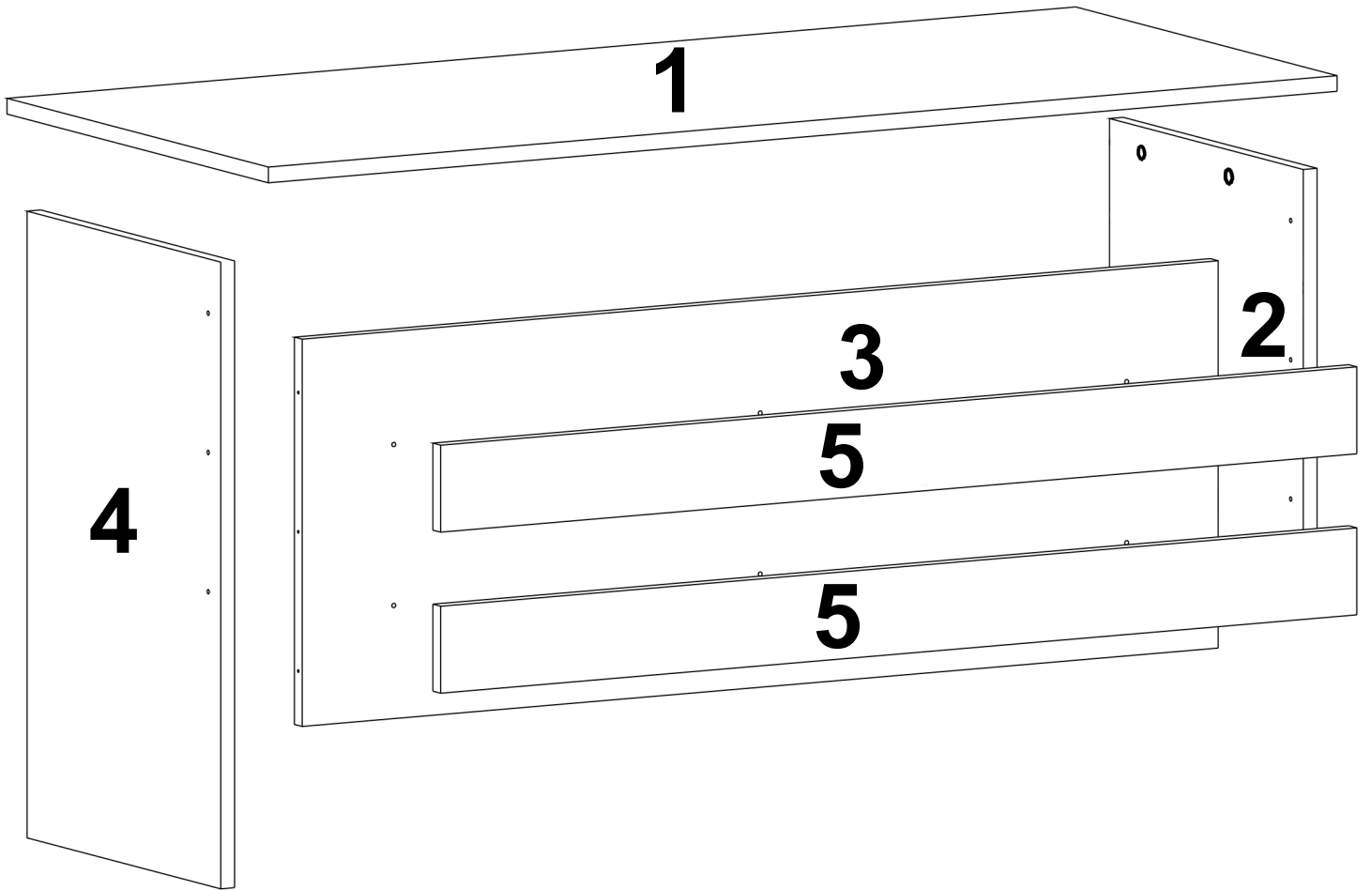




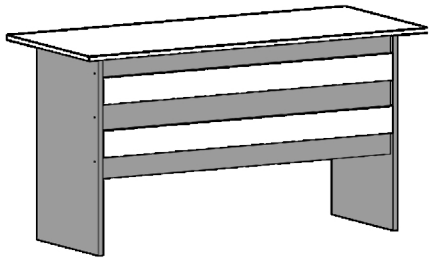
# VO1



 <p>B0501 x4</p>	 <p>B0502 x4</p>	 <p>B0503 x4</p>	 <p>B0504 x4</p>	 <p>B0304 x6</p>
 <p>B0303 x6</p>	 <p>COLOR 1 x6 COLOR 2</p>			



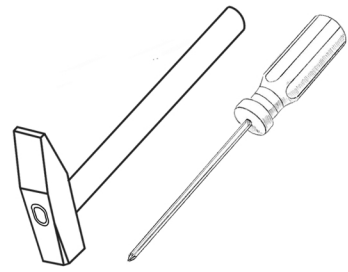




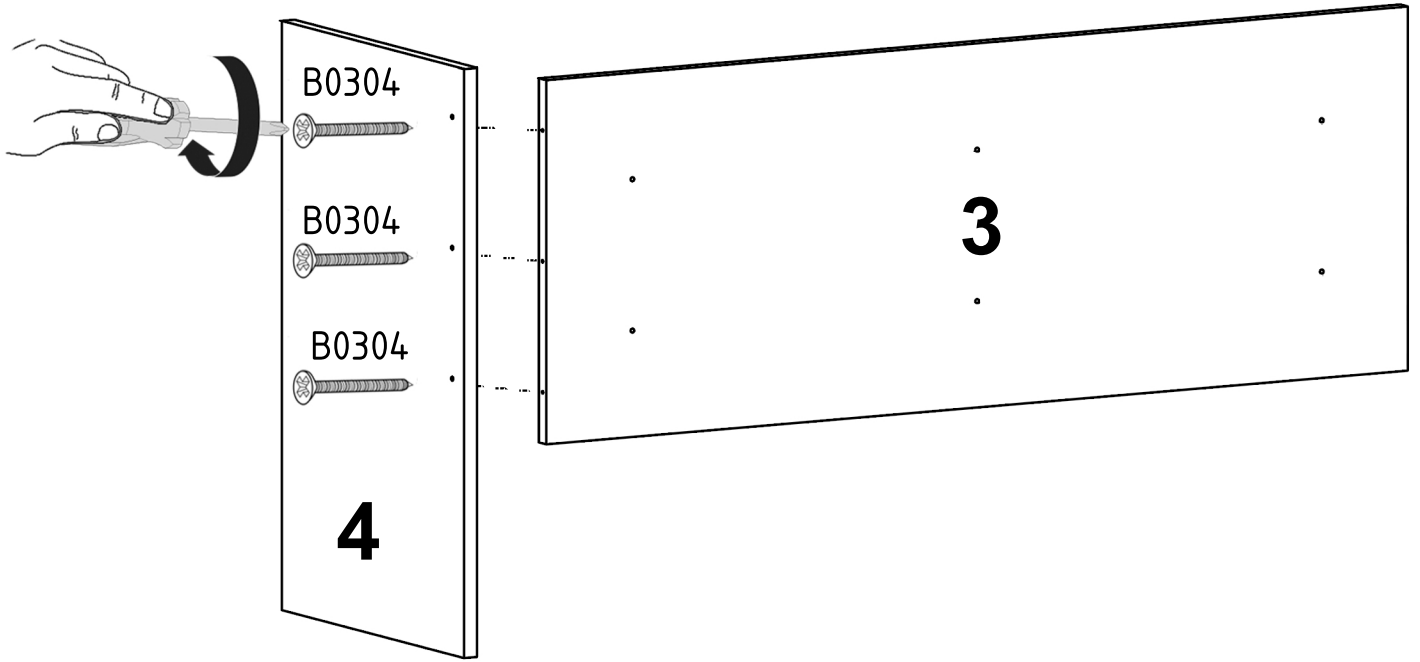
B0304



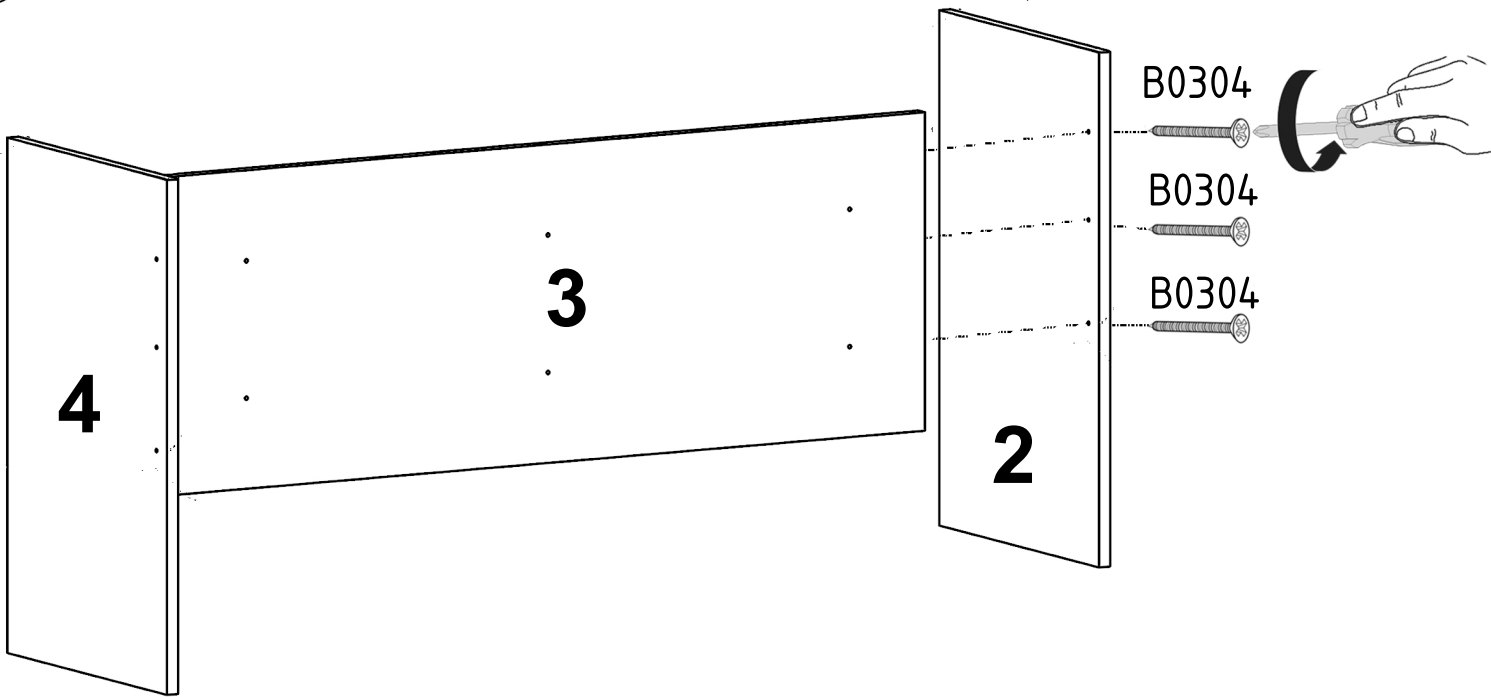
x6

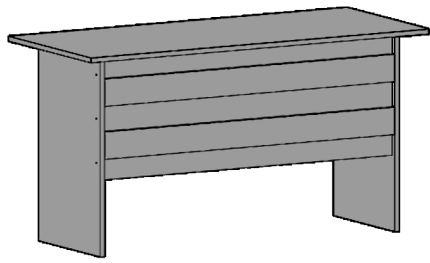


1



2





B0303



x6

B0502



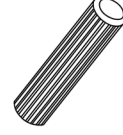
x4

B0501



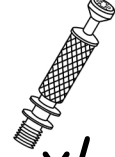
x4

B0503

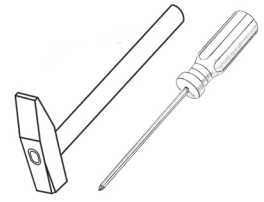


x4

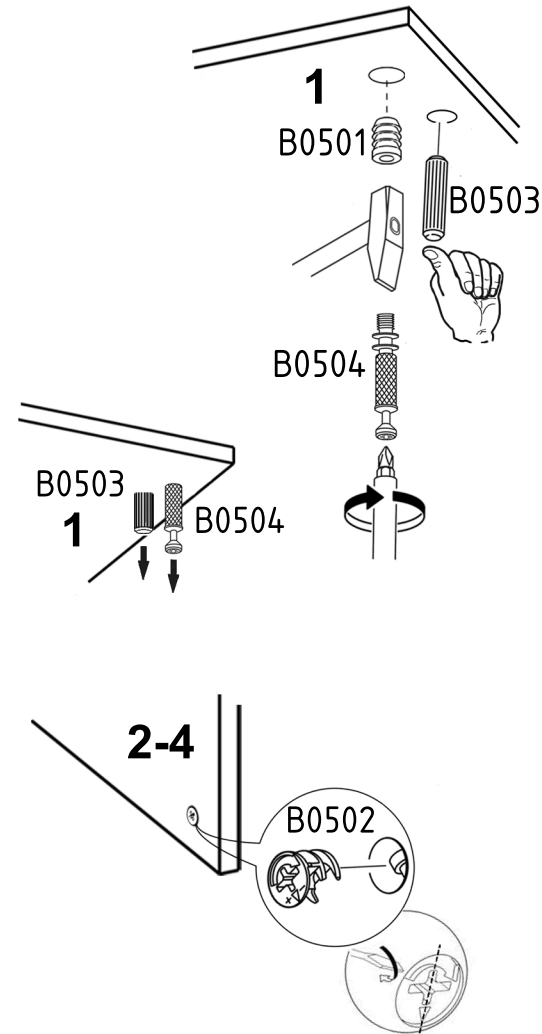
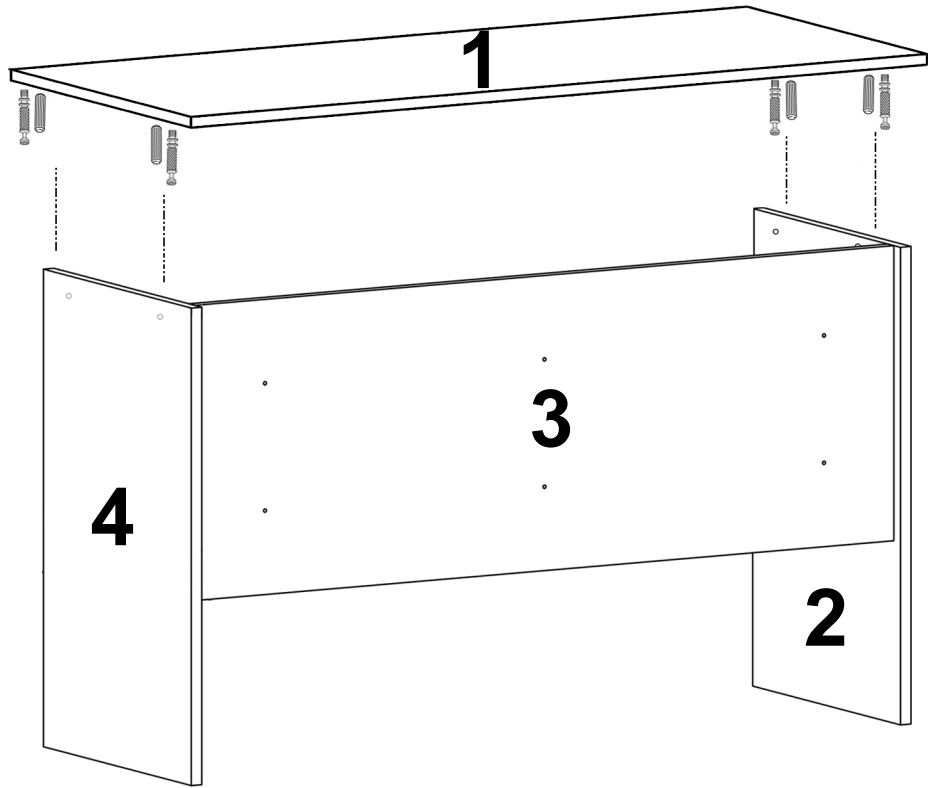
B0504



x4



3



4

