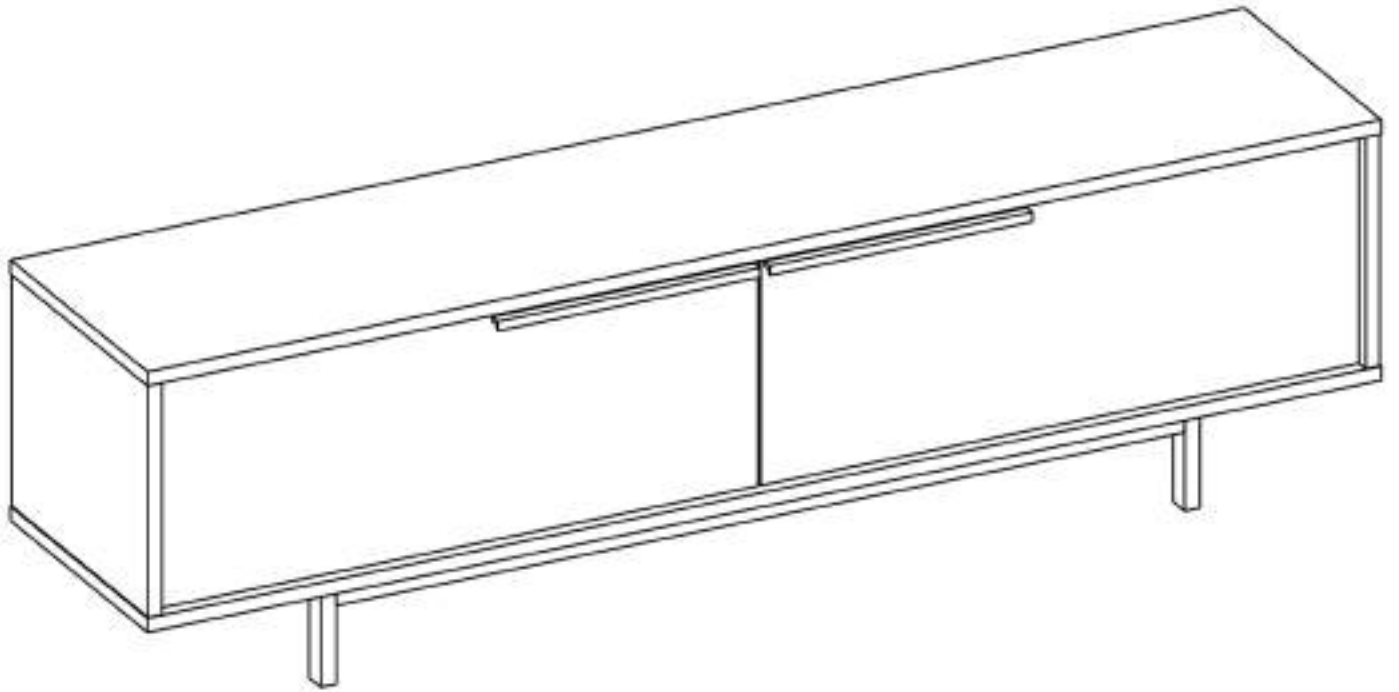













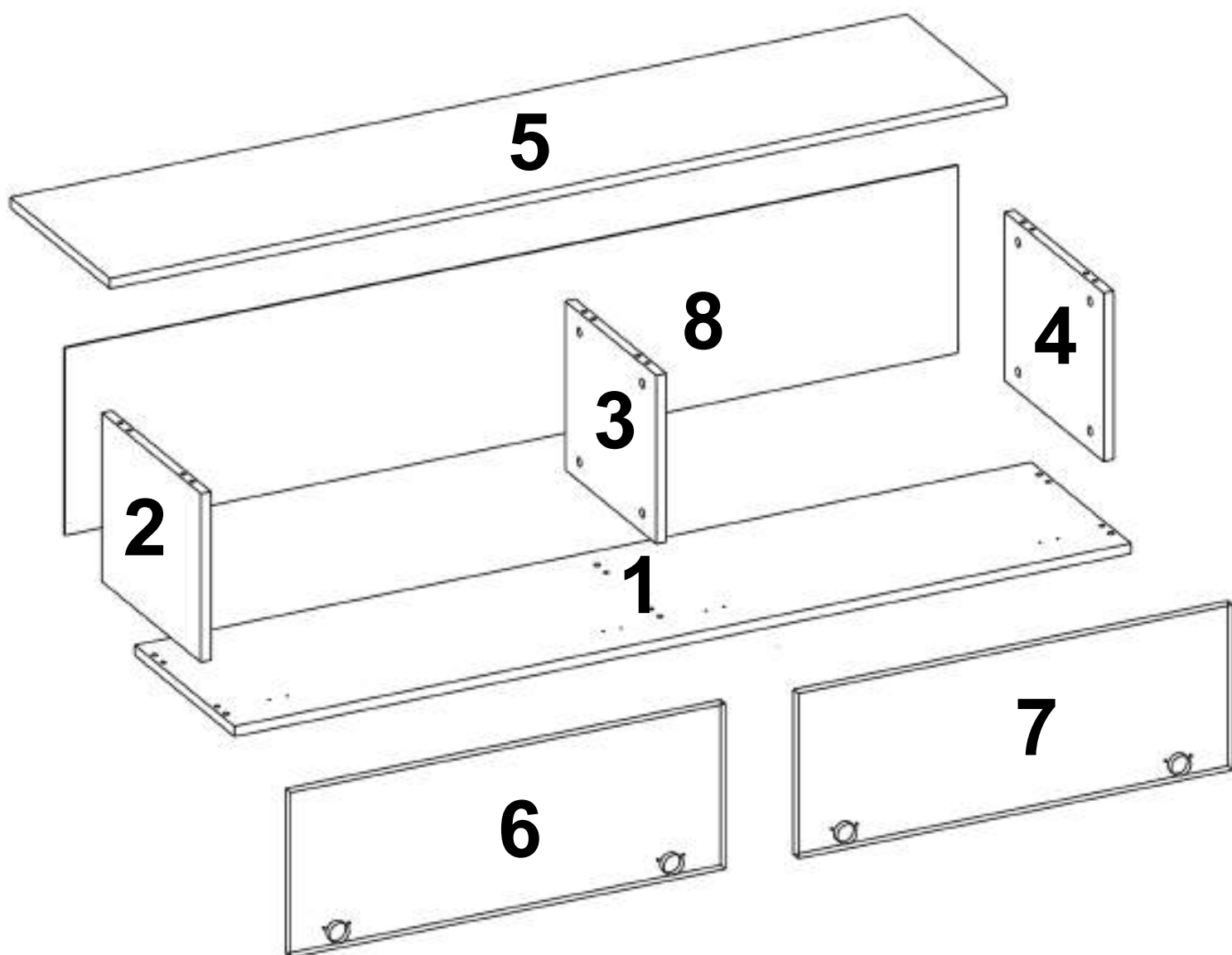


# ON1



 B0501 x12	 B0502 x12	 B0503 x12	 B0504 x12	 B0301 x16
 B1702 x4	 B0318 x30	 B0103 x4	 B0105 x4	 B0307 x4
 B0203 x2	 B0324 x8	 D0808 x2		





B0502

B0503

B0504

B0501



x12

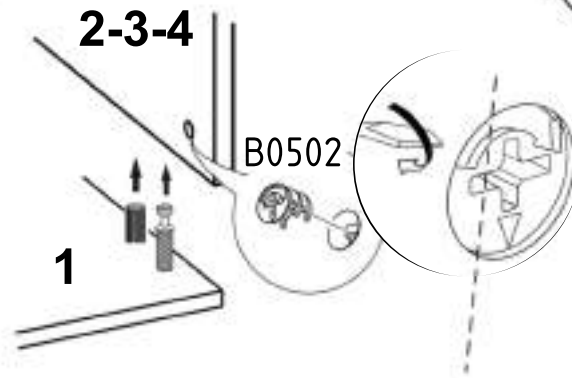
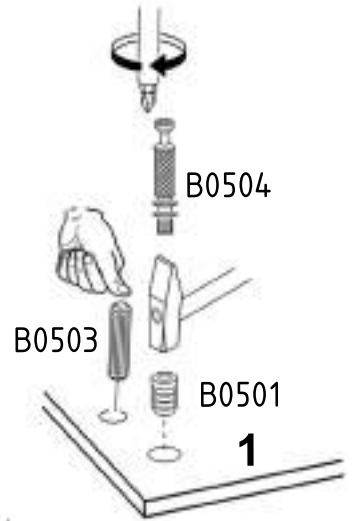
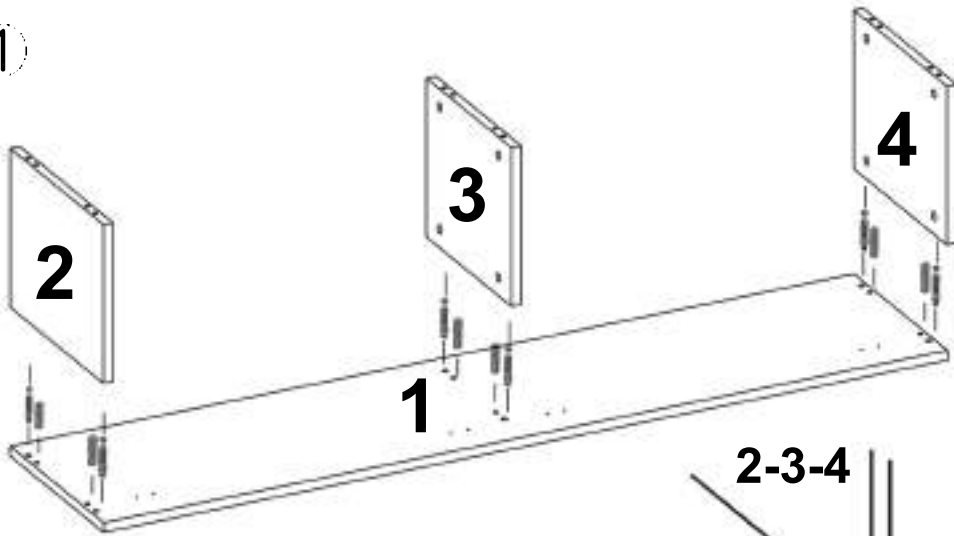
x12

x12

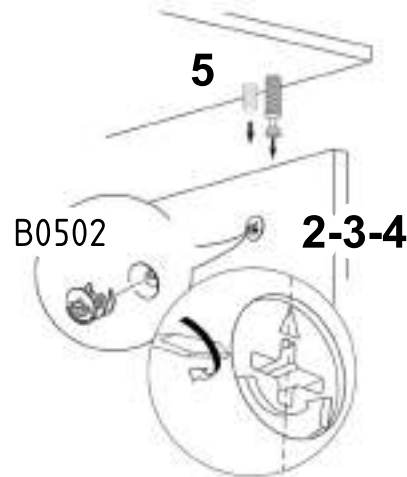
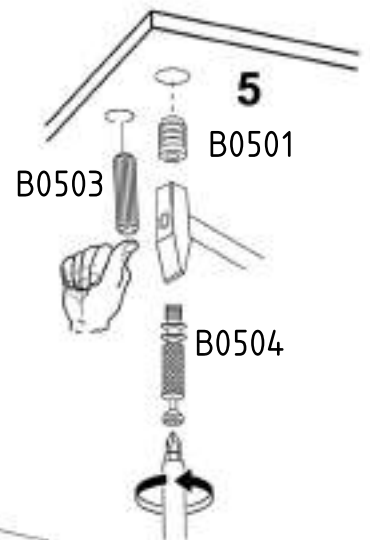
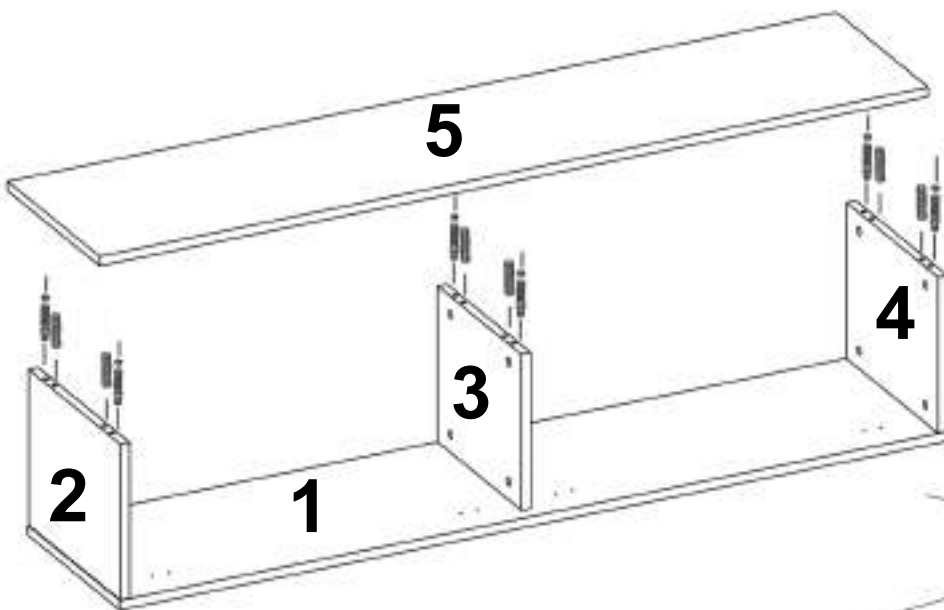
x12



1



2



2



B0324

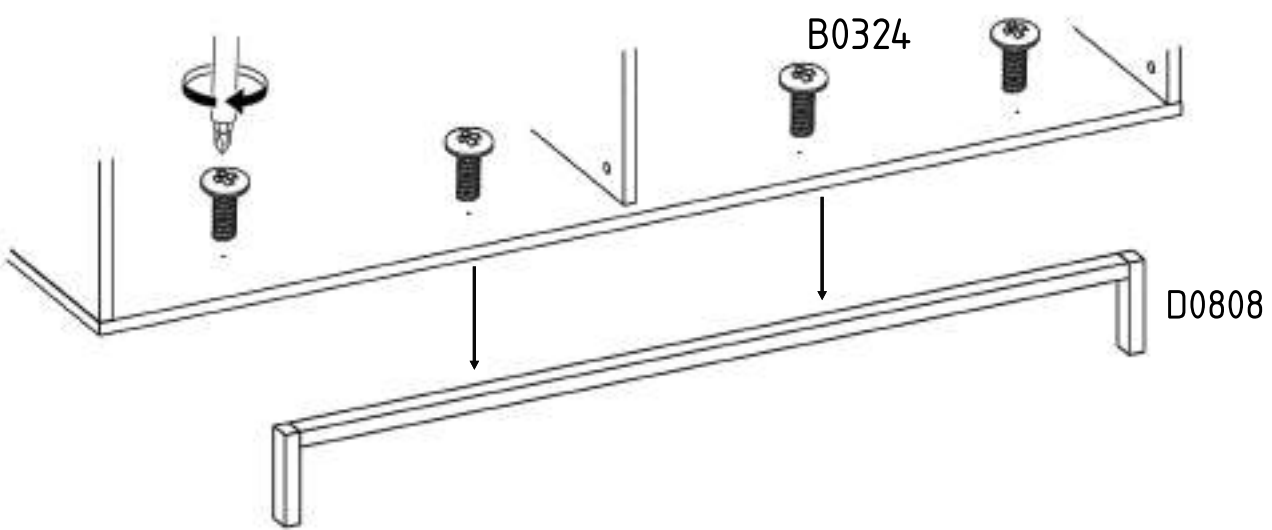
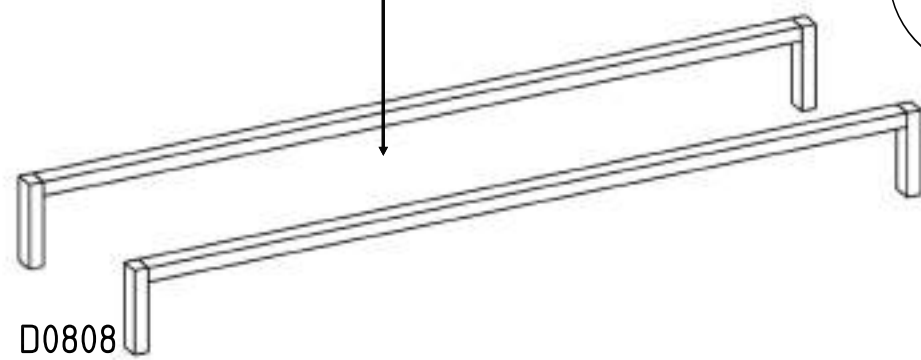
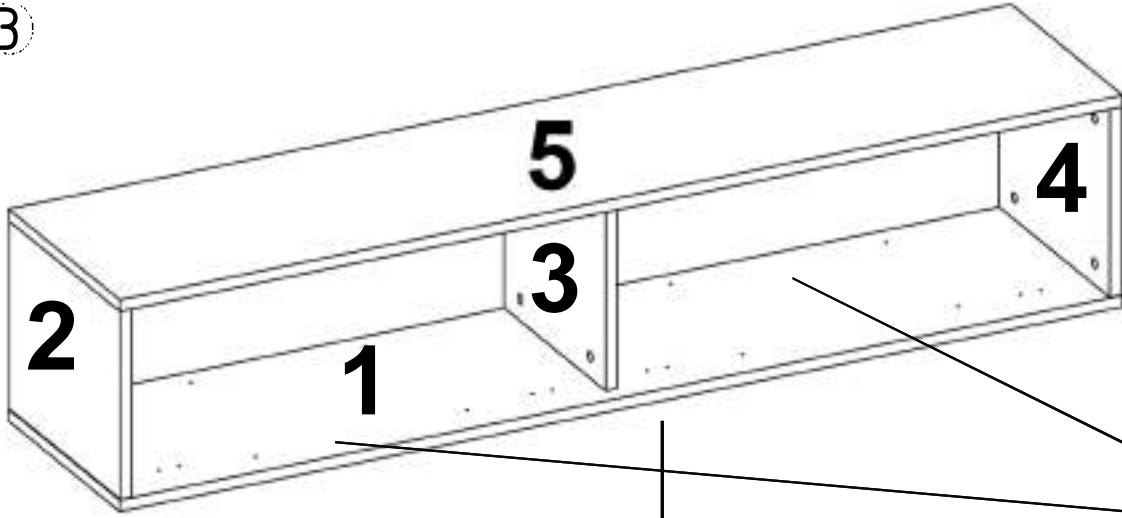
D0808



x8

x2

3



3



B0301



x16

B0103



x4

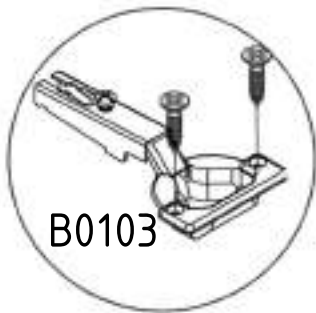
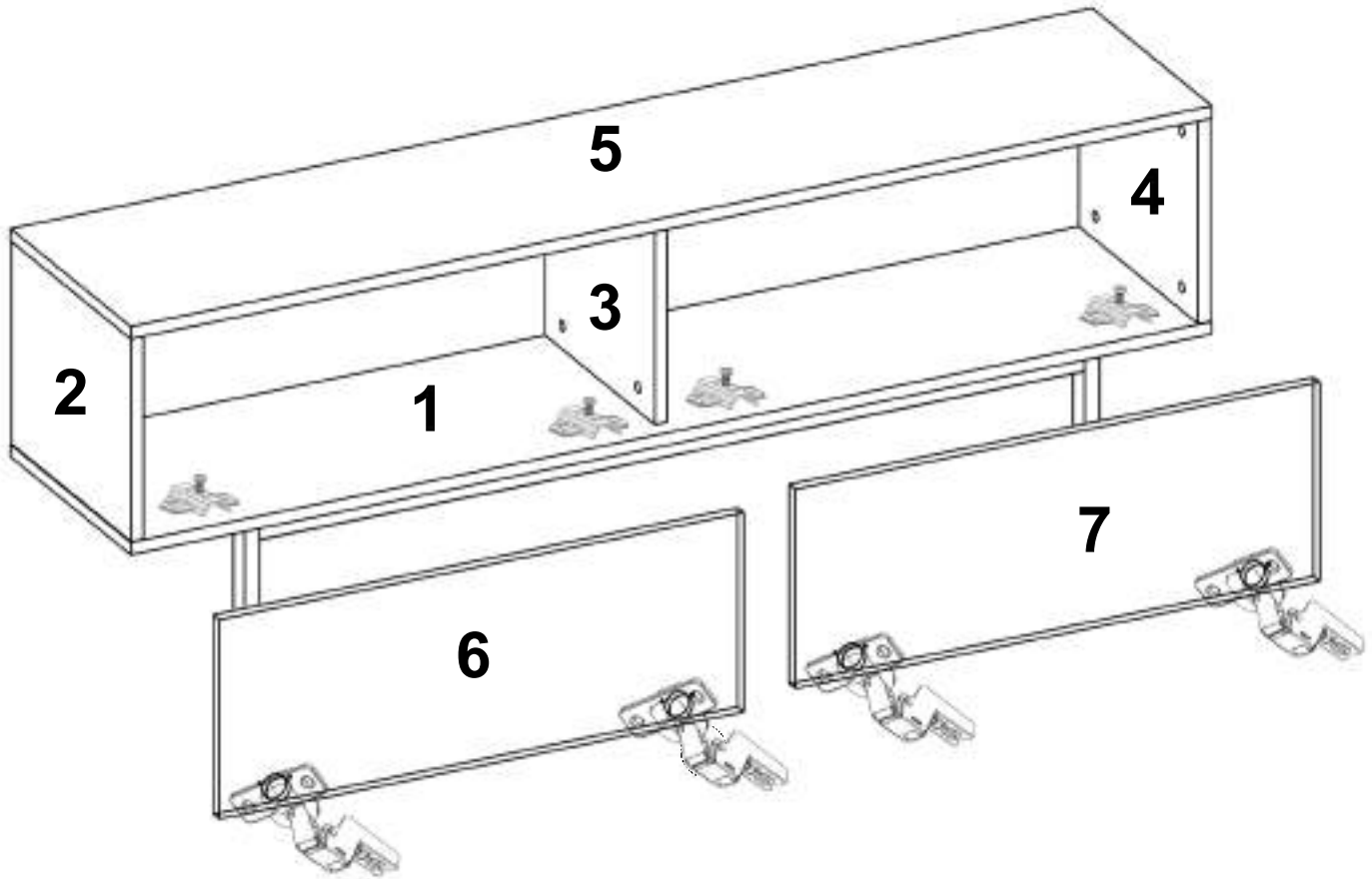
B0105



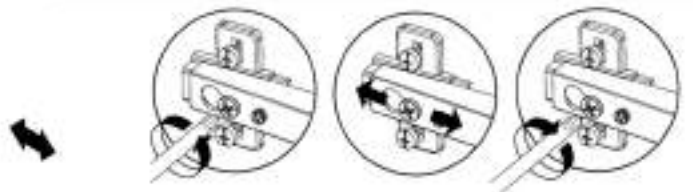
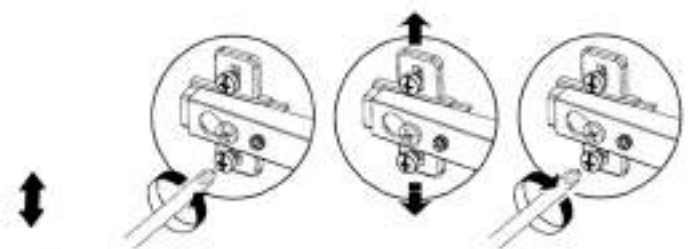
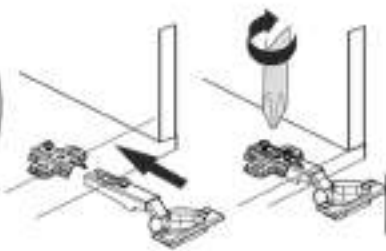
x4

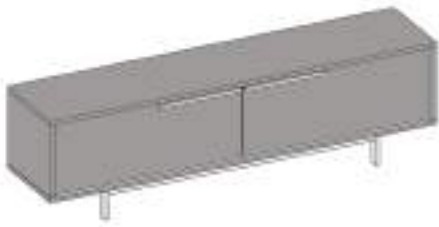


4



B0103





B0307



x4

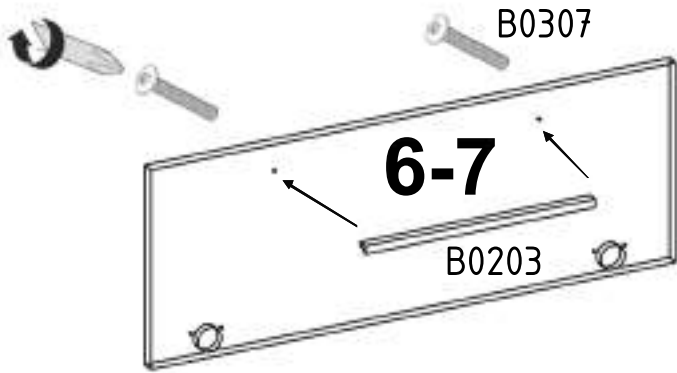
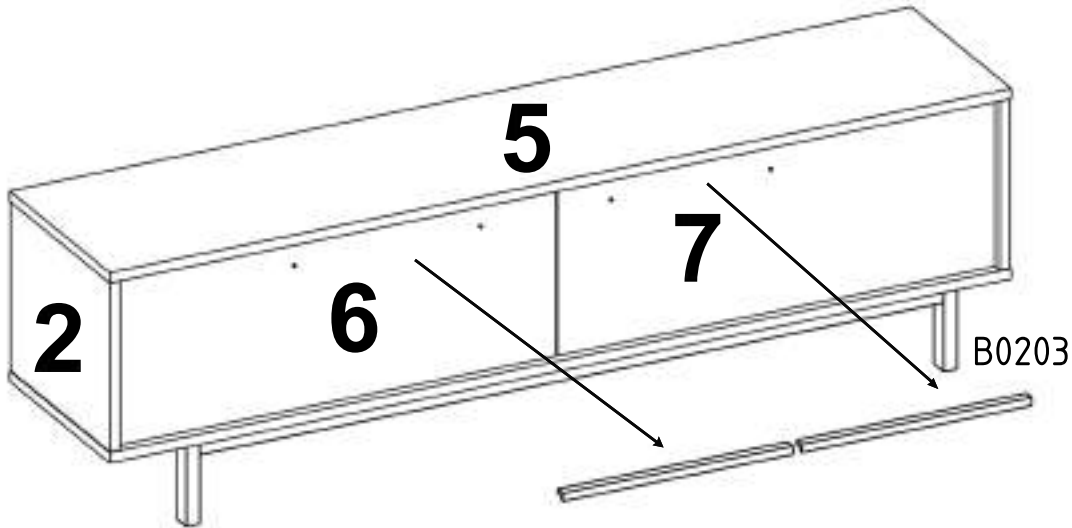
B0318



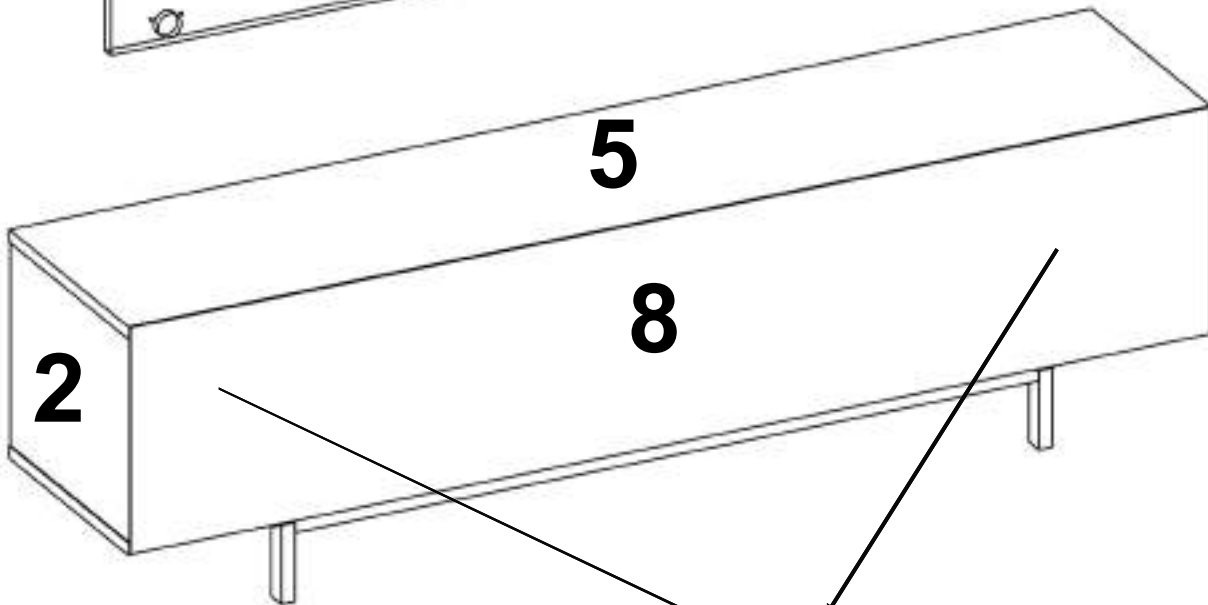
x30



5



6



5



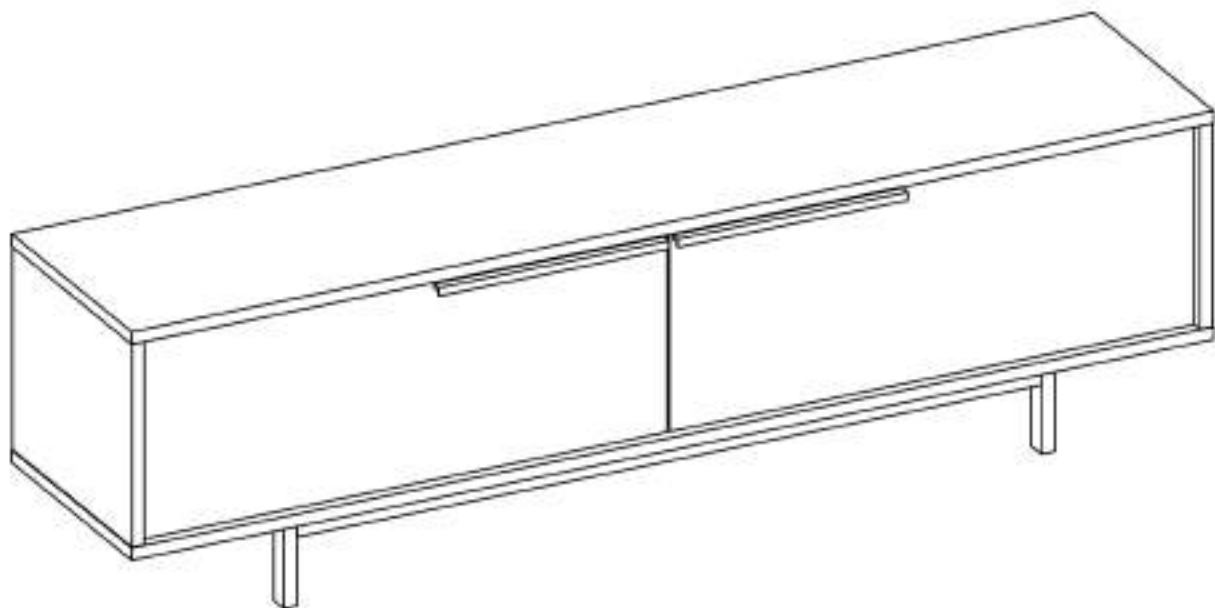
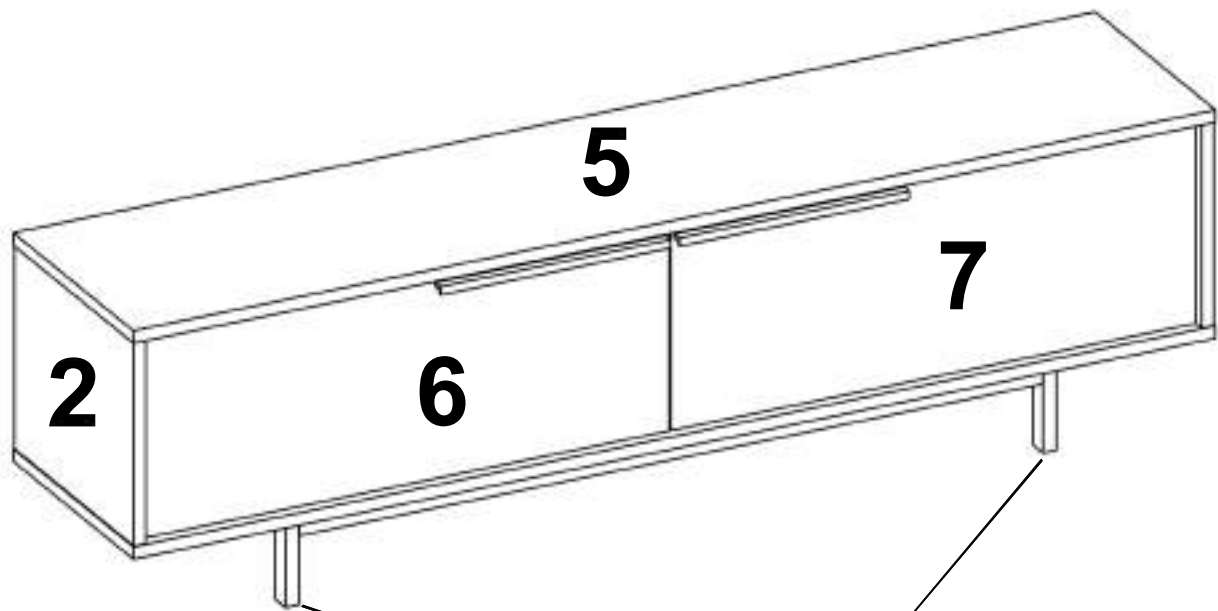
B1702



x4



7



6