



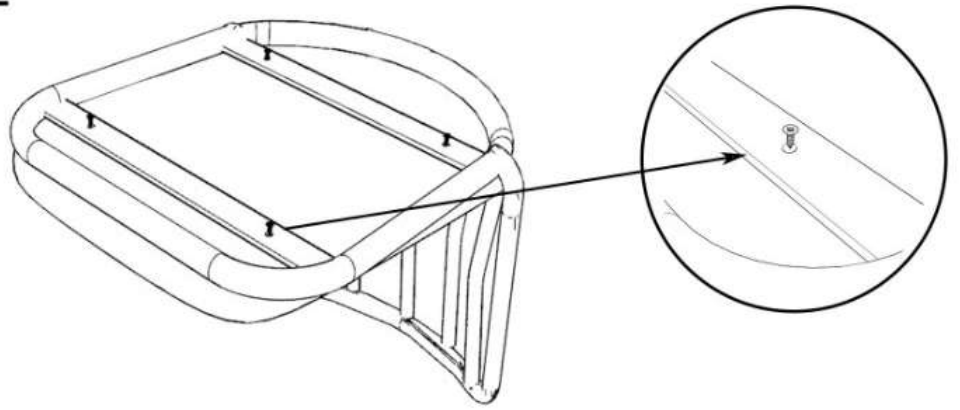


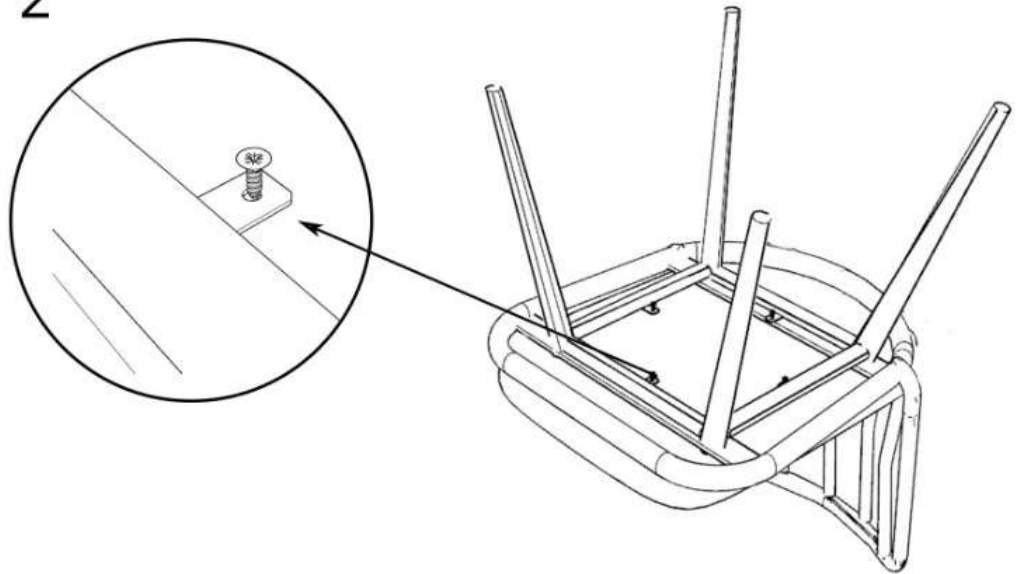
PARTS LIST

P.No	NAME	QTY	DIAGRAM
1	FRAME	1	
2	SEAT	1	
3	LEG	1	
4	SCREW (3,5x18mm)	8	

1



2



3

