


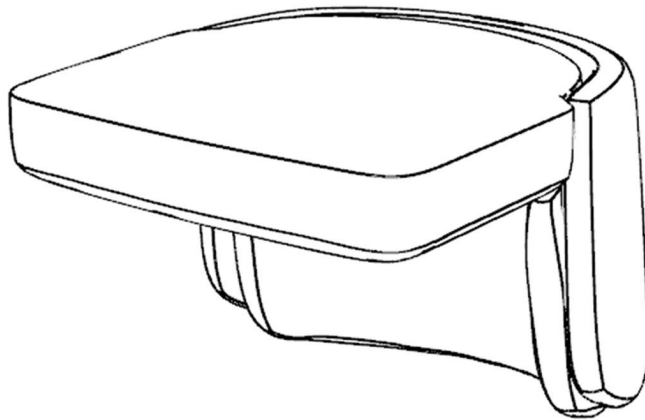


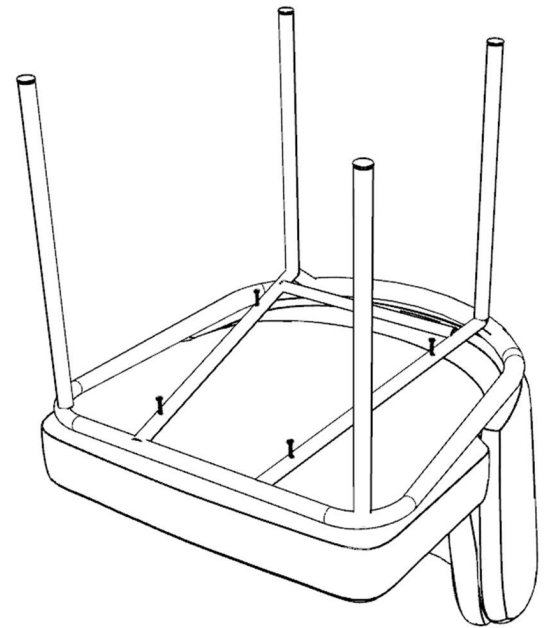
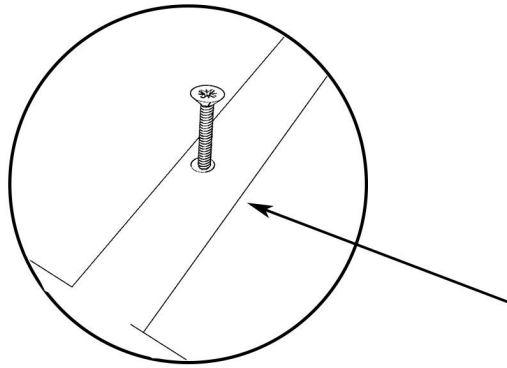
Parts List

P. No	Part Name	Piece	Picture
1	Body	1	
2	Leg	1	
3	Screw (4mmX40mm)	4	

1



2



3

