


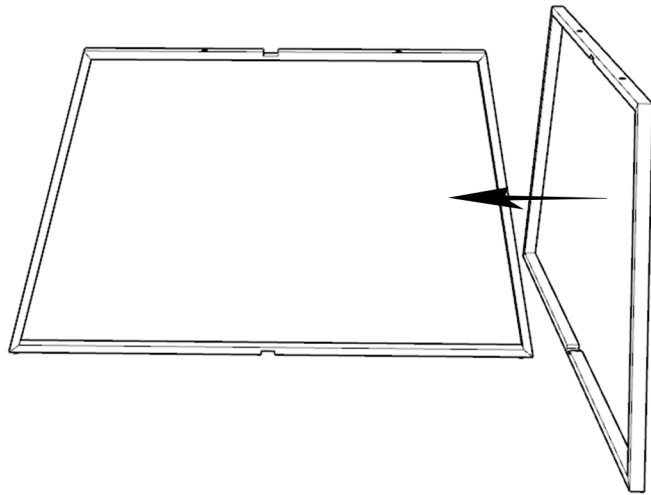


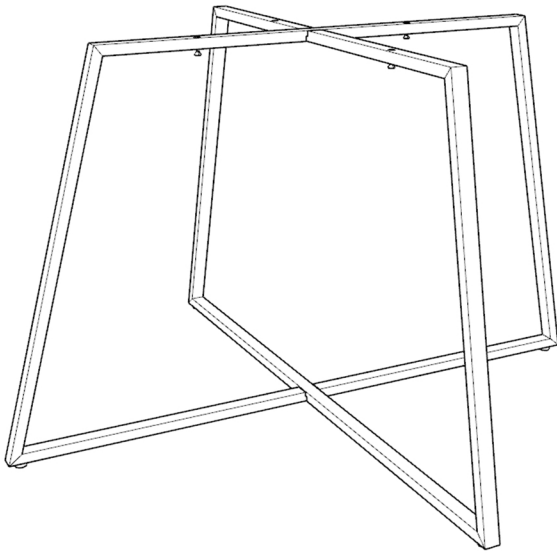
Parts List

P. No	Part Name	Piece	Picture
1	Seat	1	
2	Leg	2	
3	Screw (3,5mmx40)	4	

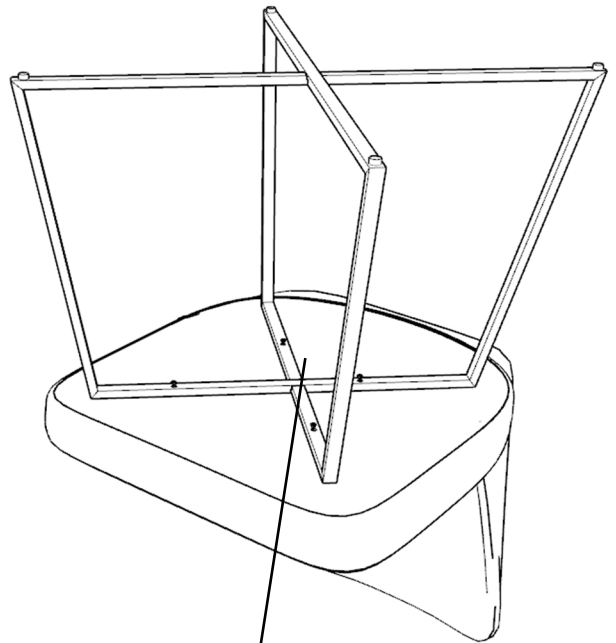
1



2



3



4

