


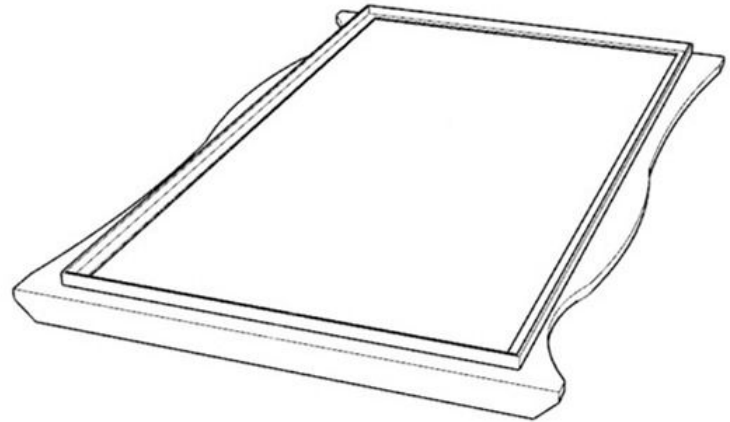


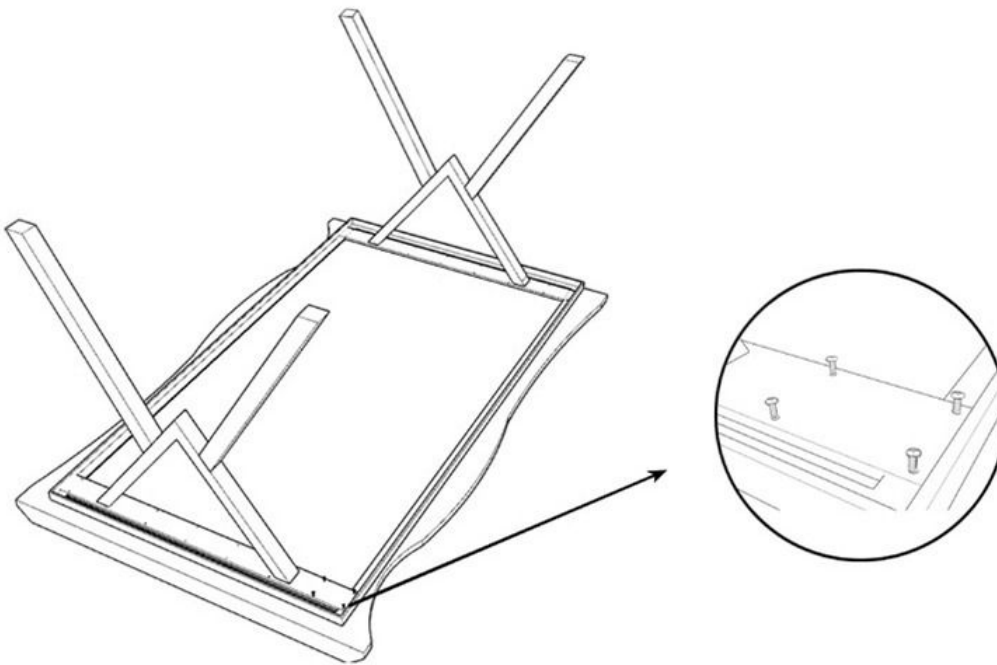
### Part Name

P. No	Part Name	Piece	Diagram
1	BODY	1	
2	LEG	2	
3	SCREW	32	

1



2



3

