


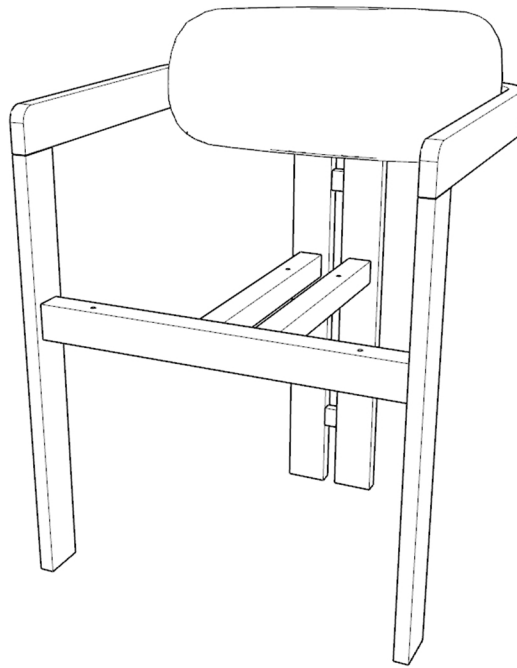


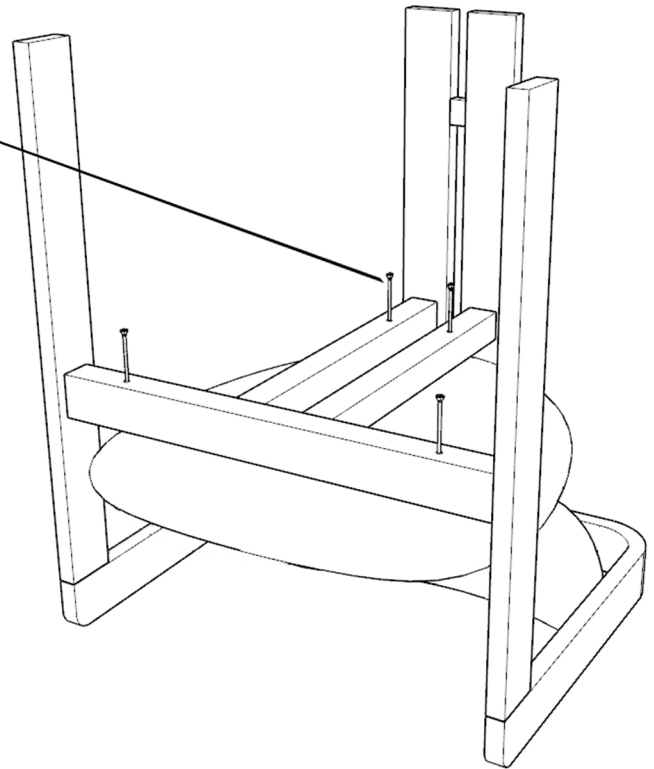
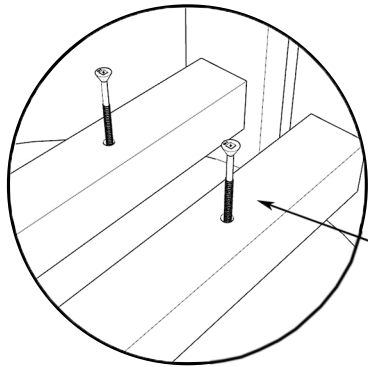
Parts List

P. No	Part Name	Piece	Picture
1	Frame	1	
2	Seat	1	
3	Screw (3,5mmx50)	4	

1



2



3

