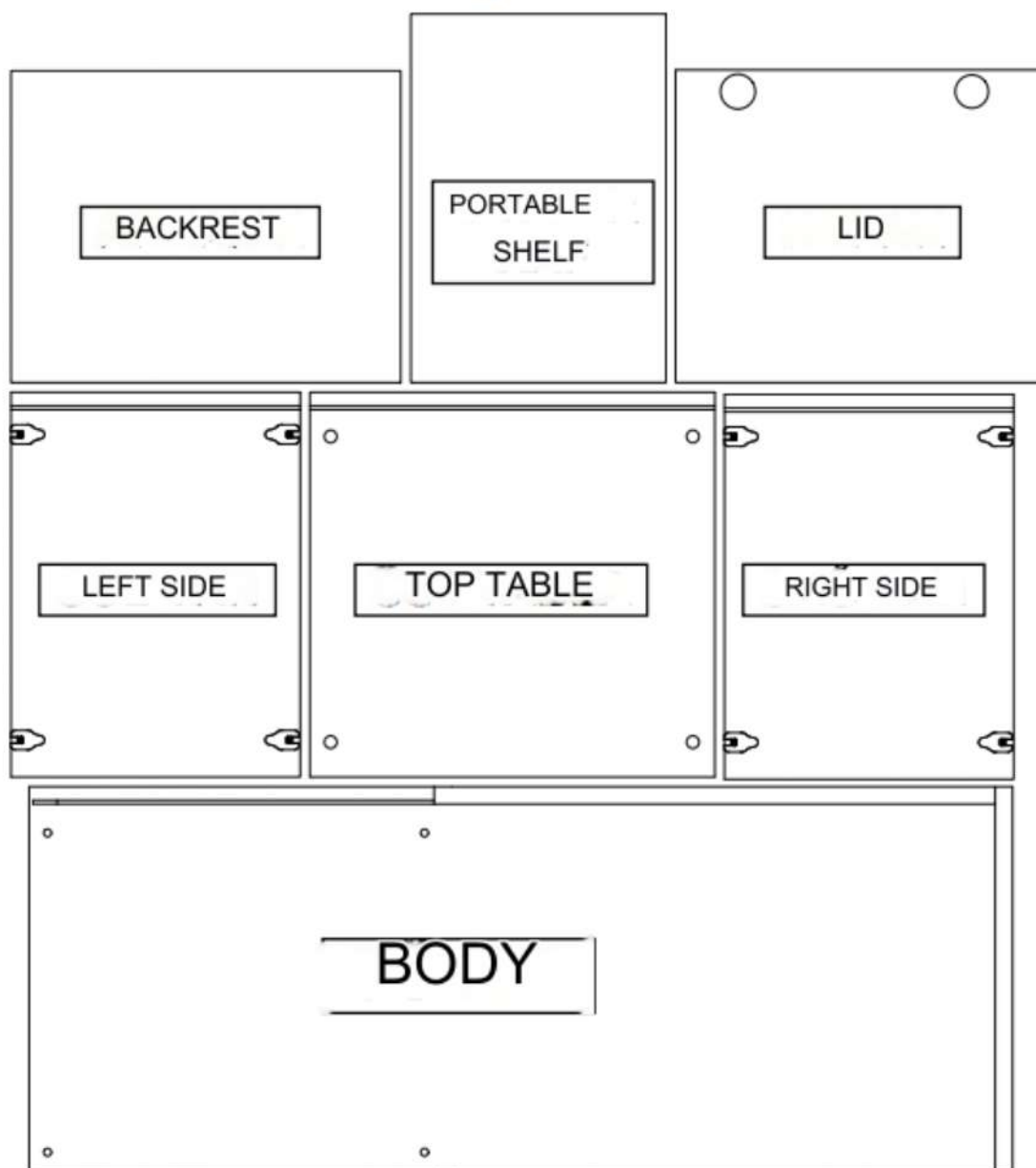
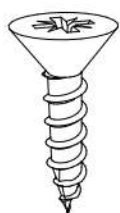


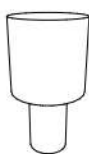
URBAN Assembly Guide



ACCESSORY LIST



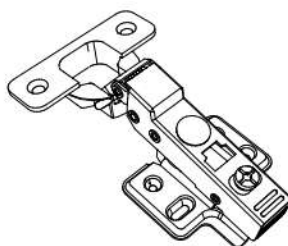
3.5x18 SCREW



SHELF PIN

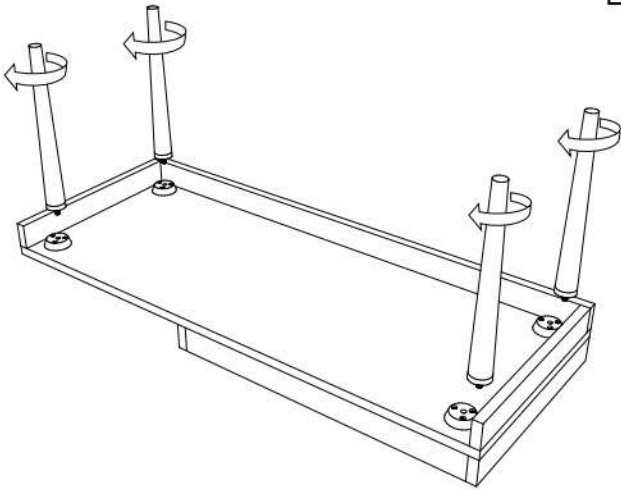


MINIFIX MILI



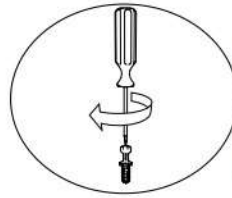
FULL CAMEL HINGE

1

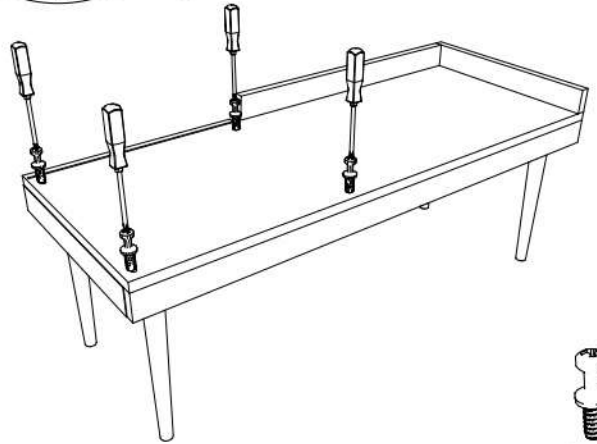


Position the feet as shown in the image and secure them by tightening.

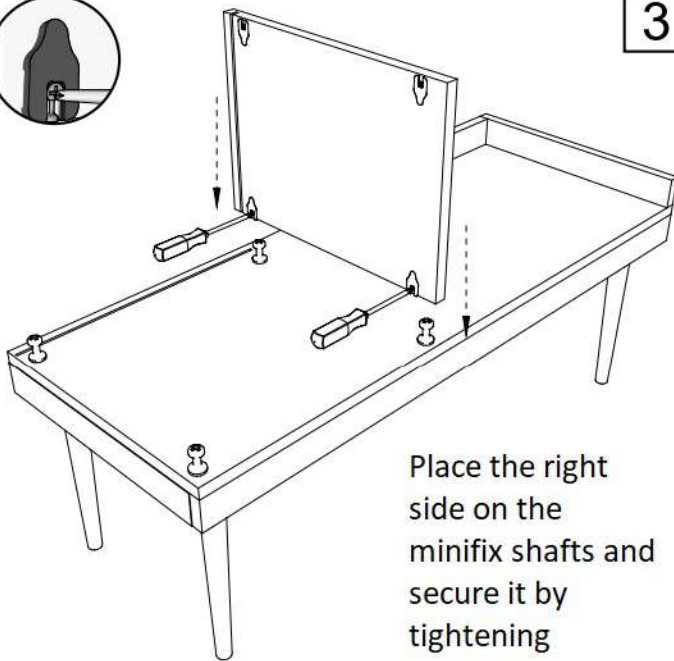
2



Place the minifix shafts into the previously prepared guide holes and fix them.

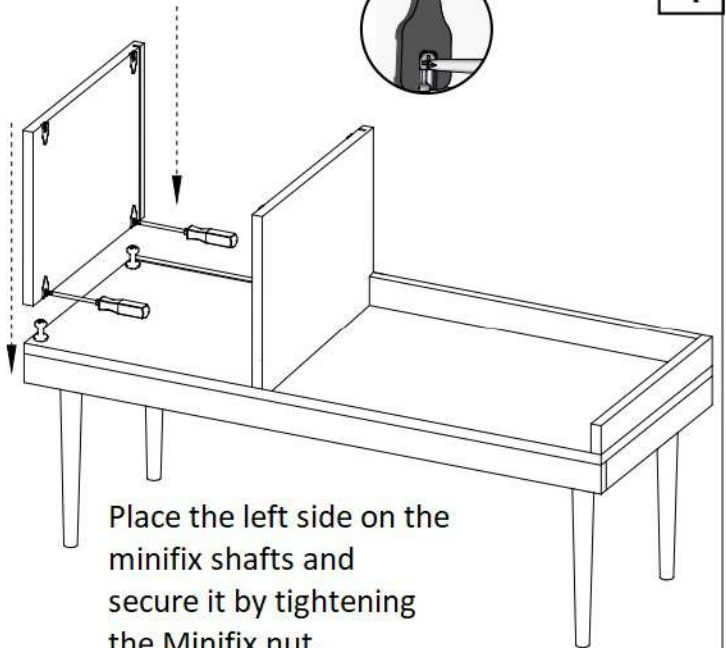


3



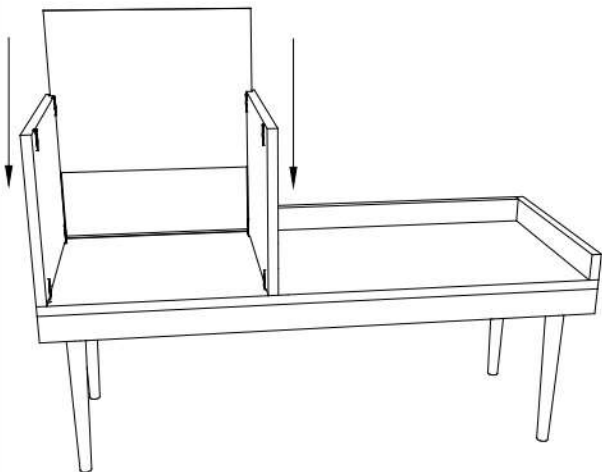
Place the right side on the minifix shafts and secure it by tightening

4



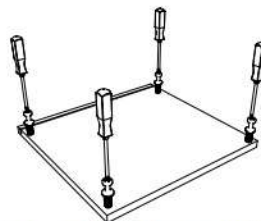
Place the left side on the minifix shafts and secure it by tightening the Minifix nut.

5

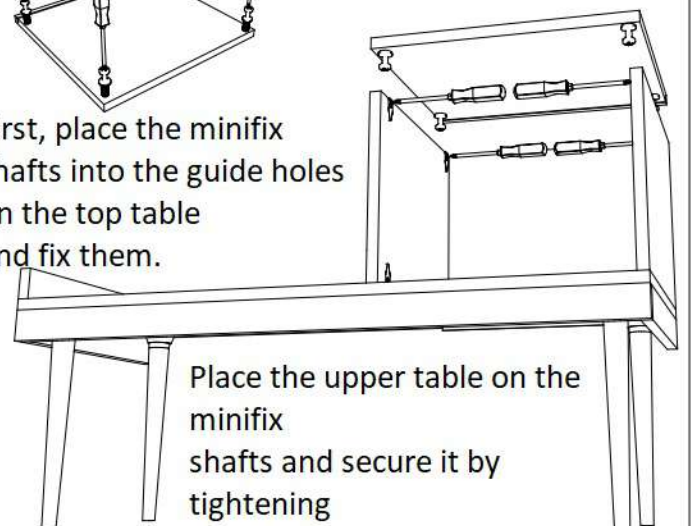


Place the back plaque between the channels.

6



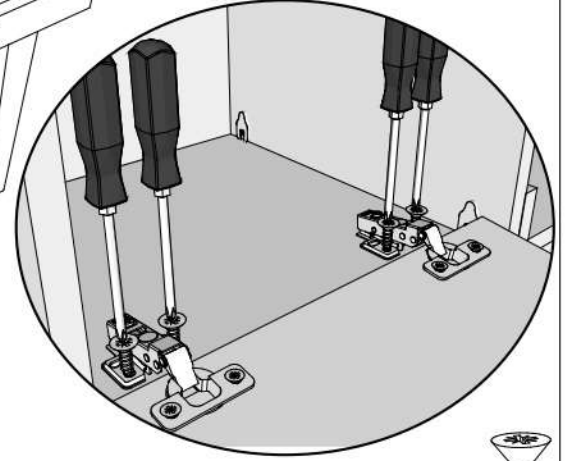
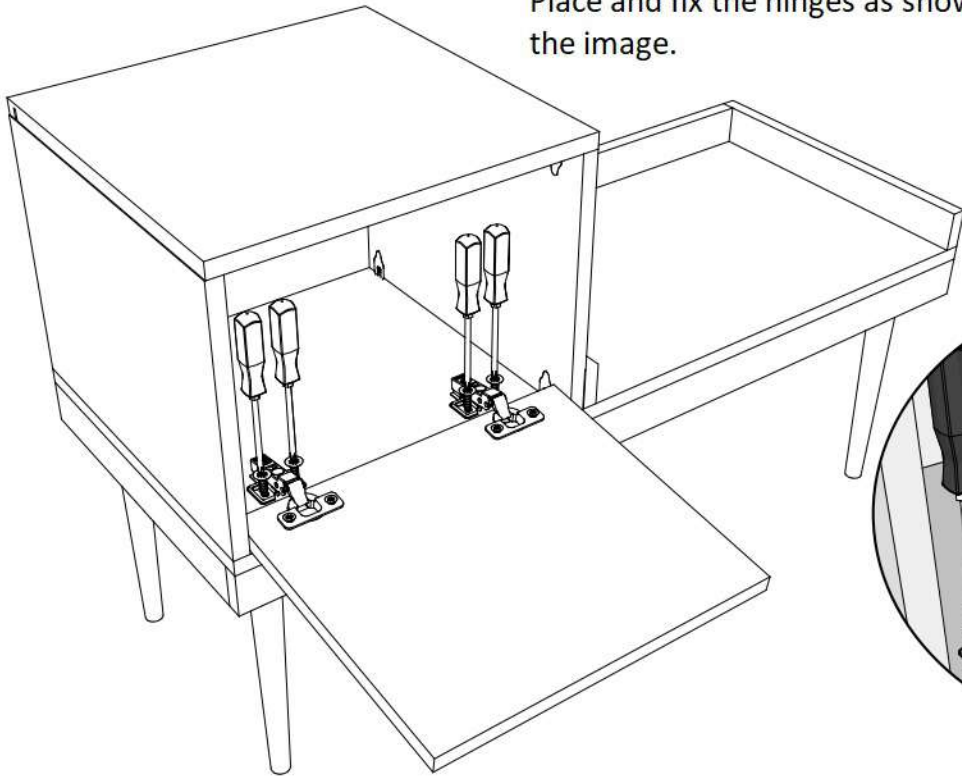
First, place the minifix shafts into the guide holes on the top table and fix them.



Place the upper table on the minifix shafts and secure it by tightening the Minifix nut.

7

Place and fix the hinges as shown in the image.



8

Before placing the mobile shelf, mount the shelf pins on the slots as shown in the image.

