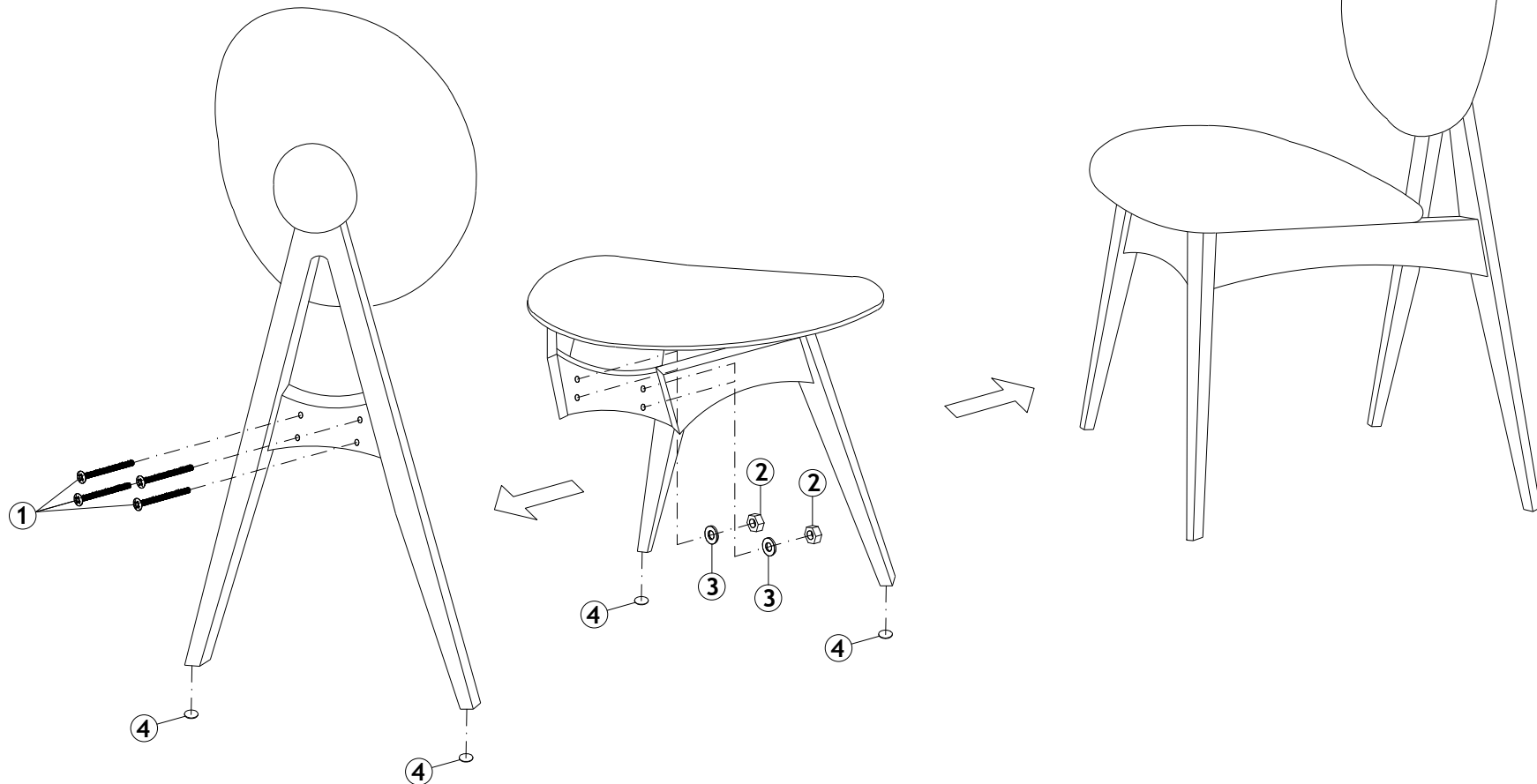

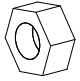
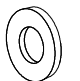



TOUCH CHAIR INSTRUCTION FOR ASSEMBLING

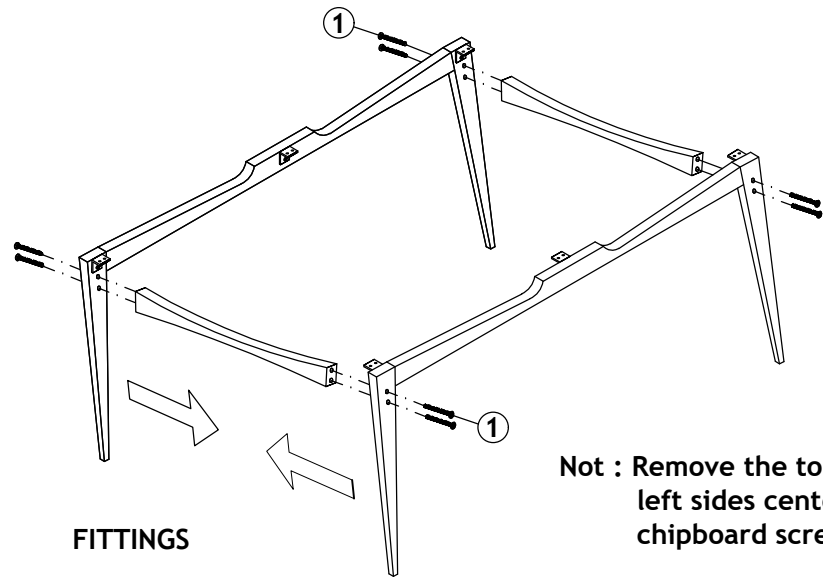


FITTINGS

- | | | | |
|--|--|--|--|
| <p>1</p>  <p>8x60 STAR-HEADED SCREW
4 PIECE</p> | <p>2</p>  <p>M8 NUT
4 PIECE</p> | <p>3</p>  <p>WASHER
4 PIECE</p> | <p>4</p>  <p>FELT
4 PIECE</p> |
|--|--|--|--|

Note:The session skeleton with the back skeleton will be kept fixed from the inside on a flat floor with 13 keys in the left hand and tightened in proportion with the help of a drill diagonally.

**TOUCH TABLE
INSTRUCTION FOR ASSEMBLING**



FITTINGS

Not : Remove the top tray from the right and left sides centering the bottom with chipboard screws screw on the part.

